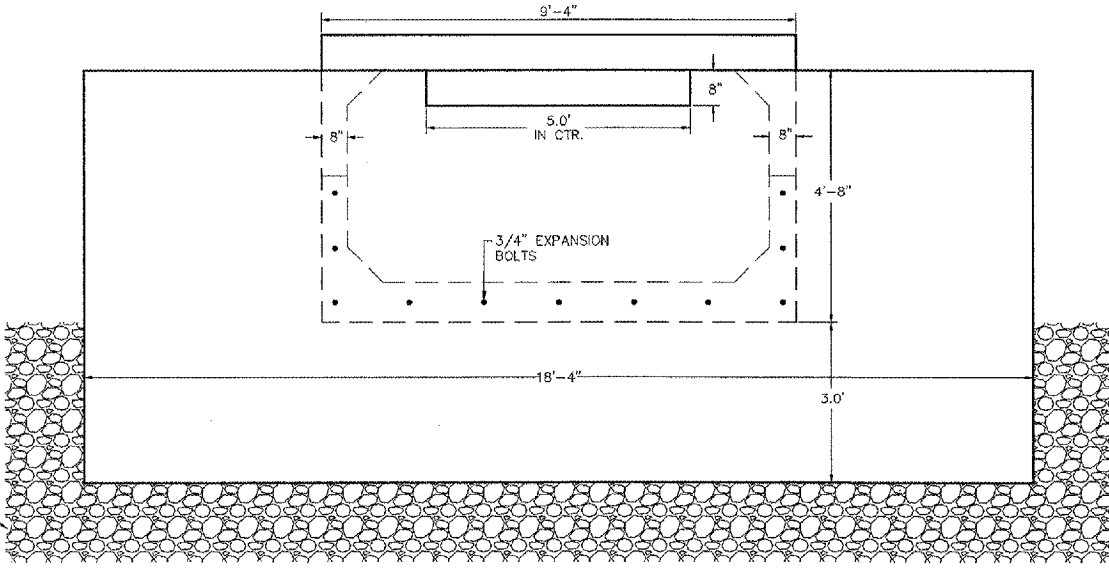
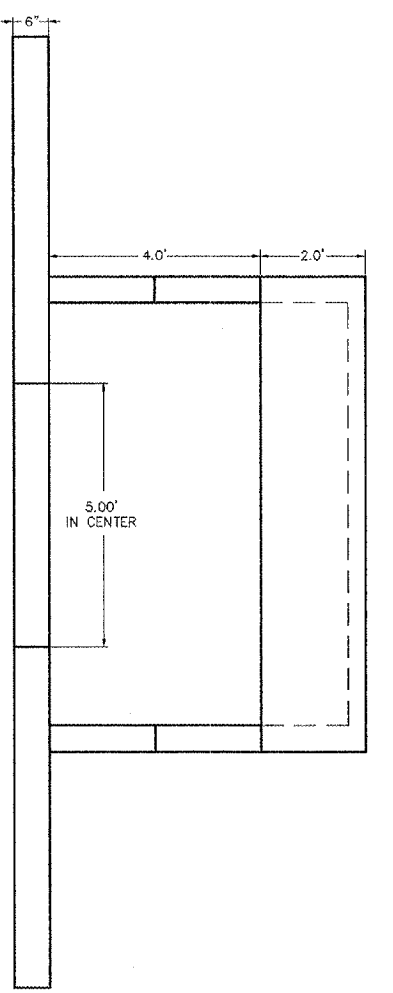


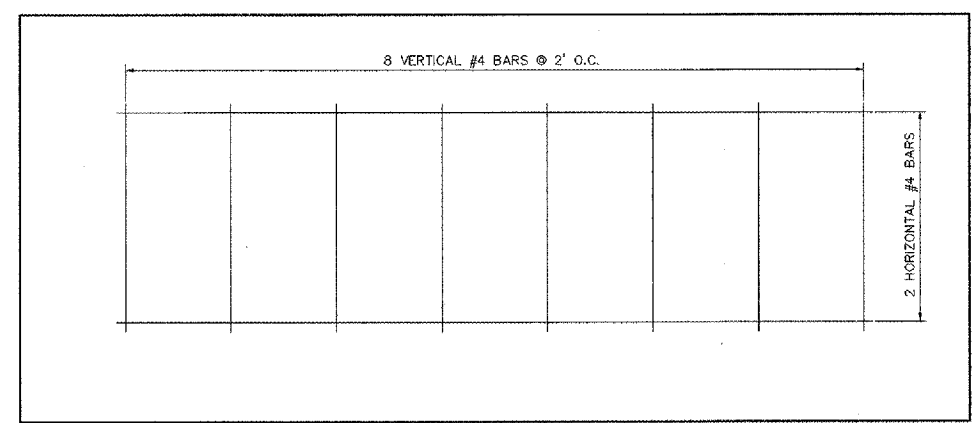
SIDE VIEW



FRONT VIEW

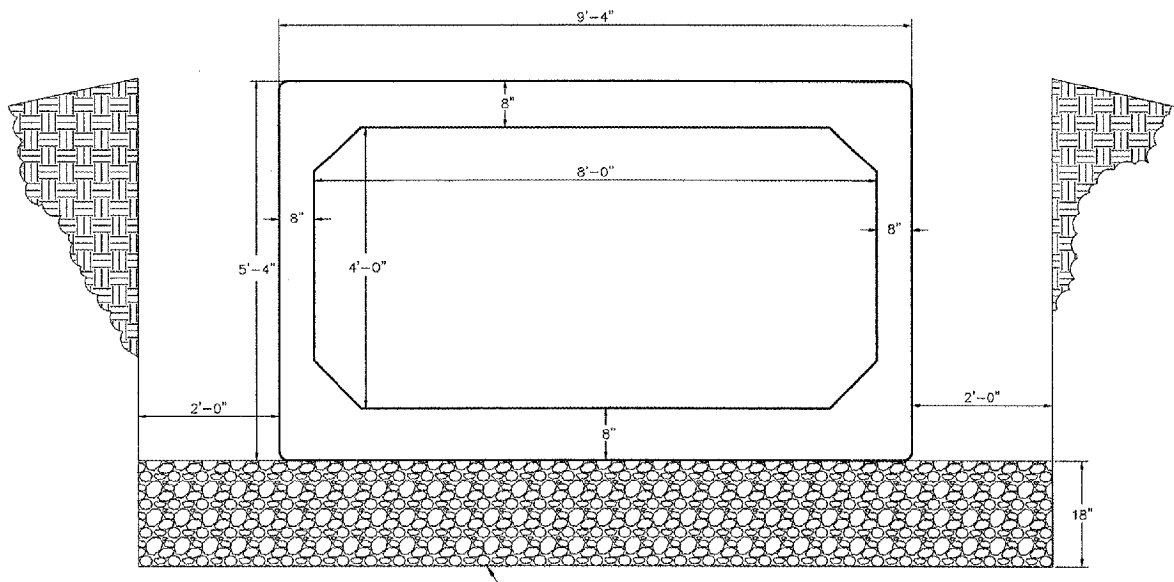


PLAN VIEW



REINFORCEMENT FOR CONCRETE END BLOCK

REFER TO STD. 540401-D4 FOR ADDITIONAL INFORMATION



SECTION