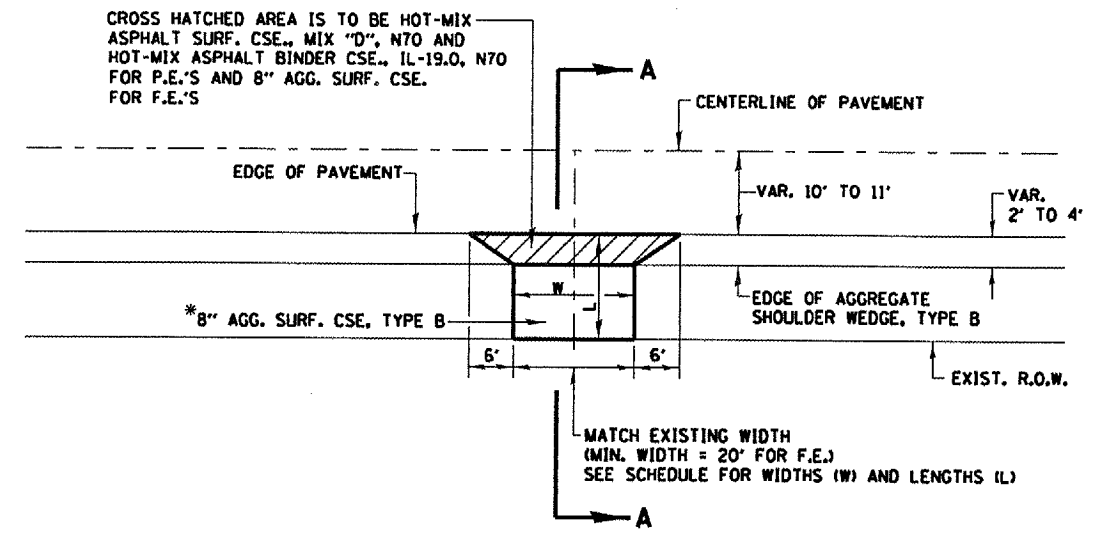
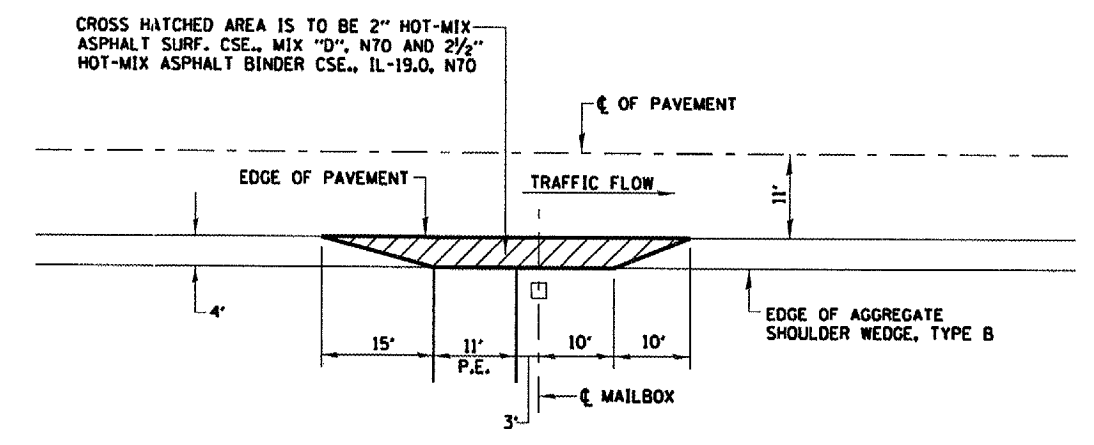


F.A.S. RTE.	SECTION	COUNTY	TOTAL SHEETS	SHEET NO.
418	04-00069-00-RS	HENDERSON	15	11
STA.		TO STA.		
FED. ROAD DIST. NO.		ILLINOIS FED. AID PROJECT		
CONTRACT NO. 89366				



* P.E. LT STATION 53+85.12 - 6\"/>

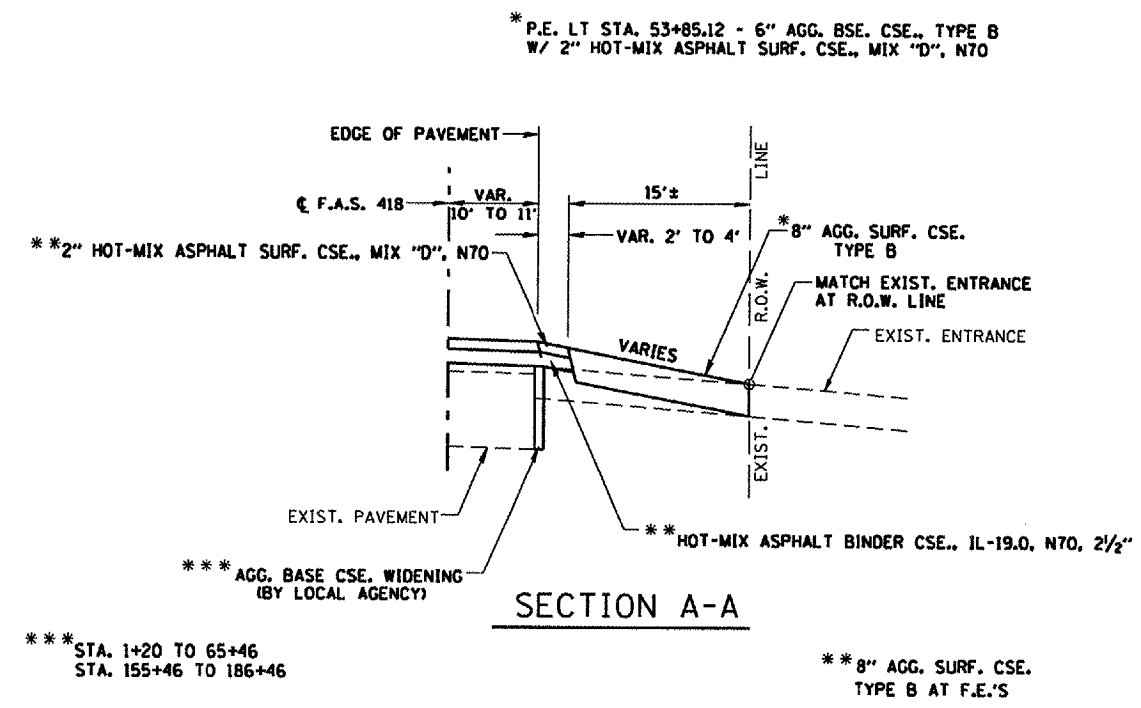
TYPICAL PLAN DETAIL OF PRIVATE AND FIELD ENTRANCES



NOTE:
MAILBOXES SHALL BE MOUNTED SUCH THAT THE FACE OF THE MAILBOX IS 6\"/>

TYPICAL PLAN DETAIL OF MAILBOX TURNOUT

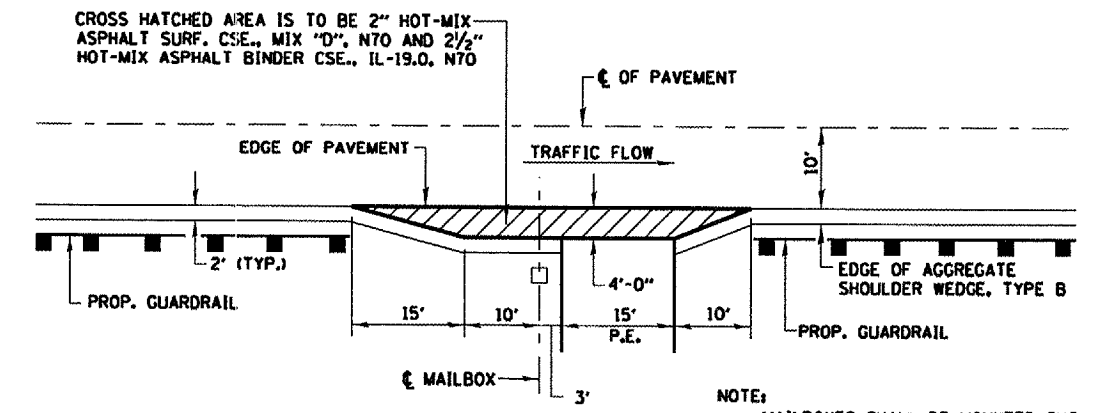
P.E. RT. STA. 53+85.12



*** STA. 1+20 TO 65+46
STA. 155+46 TO 186+46

*** 8\"/>

TYPICAL DETAIL OF PRIVATE AND FIELD ENTRANCES



NOTE:
MAILBOXES SHALL BE MOUNTED SUCH THAT THE FACE OF THE MAILBOX IS 6\"/>

TYPICAL PLAN DETAIL OF MAILBOX TURNOUT

P.E. RT. STA. 147+50.38

REVISIONS	
NAME	DATE

ILLINOIS DEPARTMENT OF TRANSPORTATION
F.A.S. 418 (VANTINE ROAD)

**ENTRANCE & MAILBOX TURNOUT
DETAILS**

SCALE: N/A
DATE: 1-5-07

DRAWN BY CCF
CHECKED BY JJM