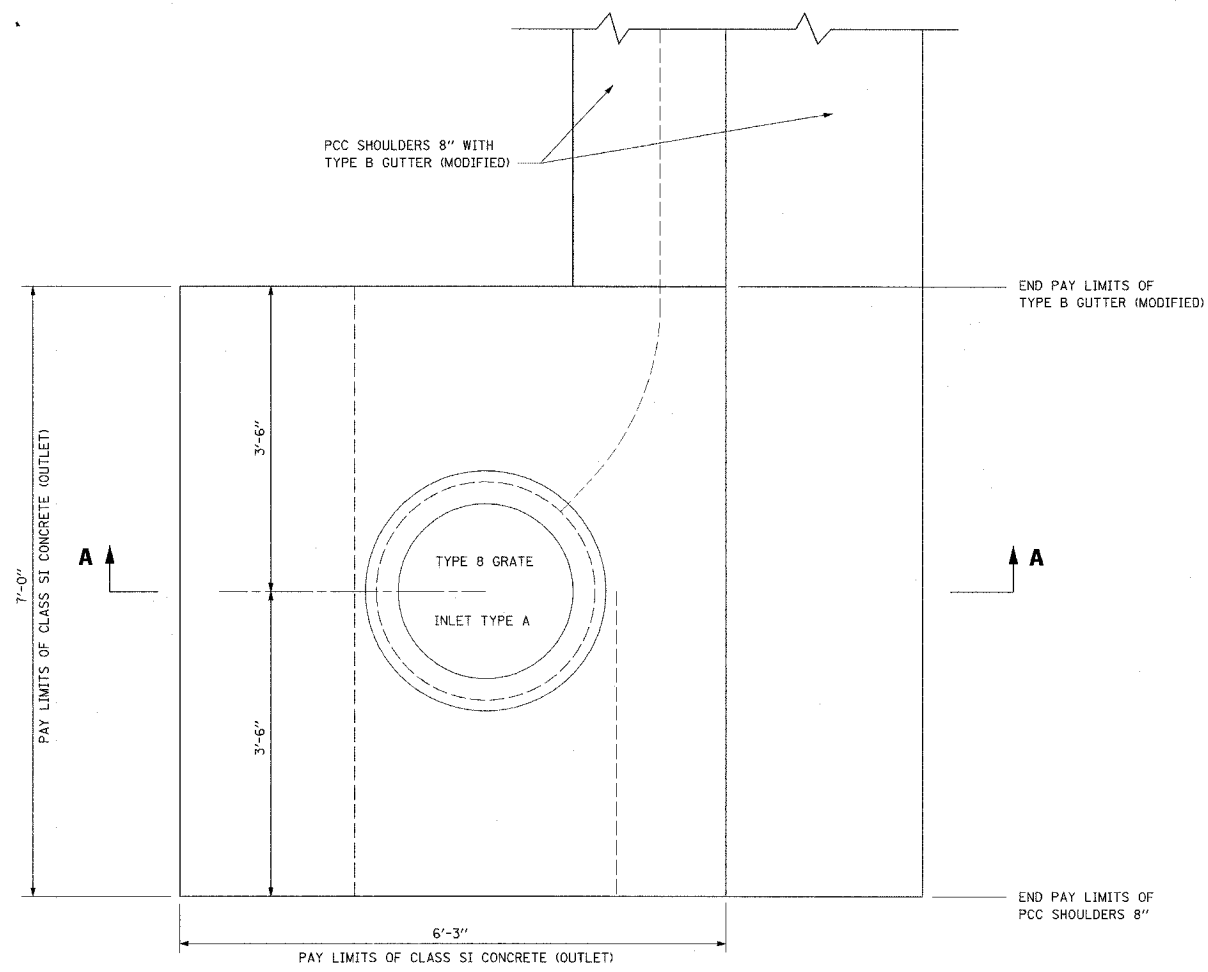
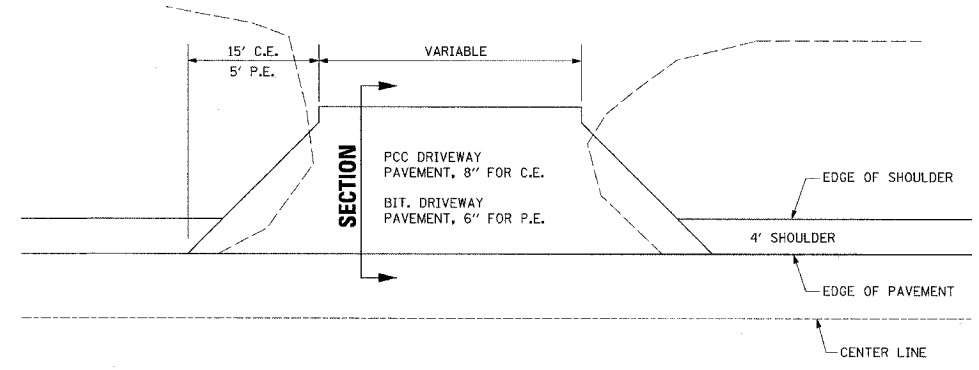


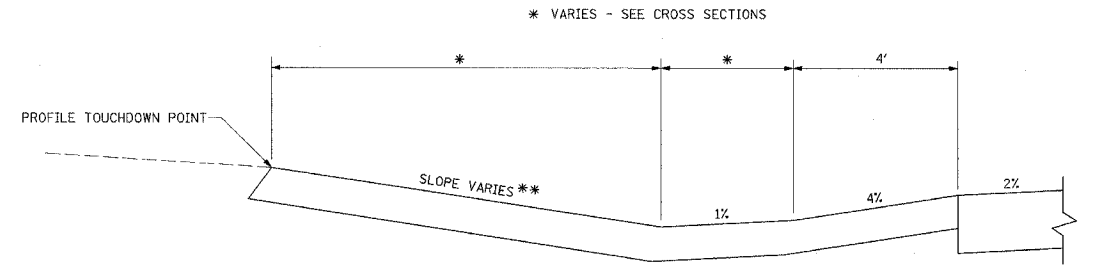
F.A.U. RTE.	SECTION	COUNTY	TOTAL SHEETS	SHEET NO.
6579	05-00035-00-RP	PEORIA	31	19
STA.		TO STA.		
FED. ROAD DIST. NO. 4		ILLINOIS FED. AID PROJECT		



**PLAN VIEW**



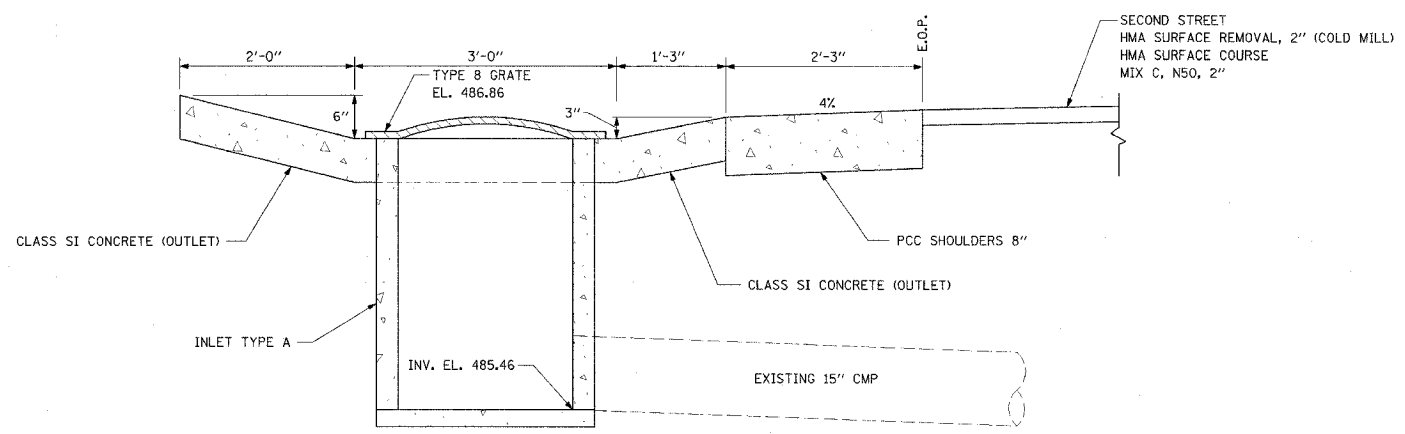
**PLAN**



\*\* SEE CROSS SECTIONS FOR ENTRANCE SLOPE 10% MAX.

**SECTION**

**DETAIL - LEFT SIDE ENTRANCES**  
NOT TO SCALE



**SECTION A-A**  
**DETAIL - INLET TYPE A**  
26.4' RT., STA. 21+94

REVISIONS	
NAME	DATE

ILLINOIS DEPARTMENT OF TRANSPORTATION  
**MOFFITT STREET IMPROVEMENTS**  
**DETAIL - INLET TYPE A**  
**26.4' RT., STA. 21+94 AND ENTRANCES**  
DATE 12/05/06  
DRAWN BY DLC  
CHECKED BY REW