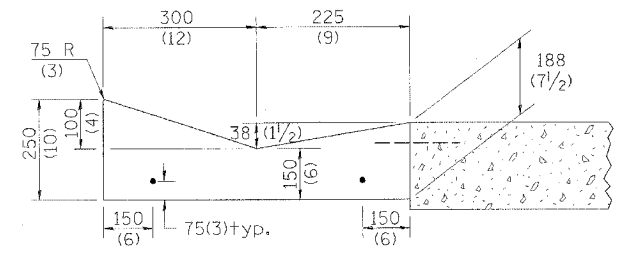
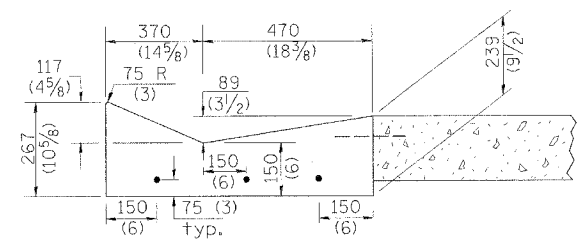


89370

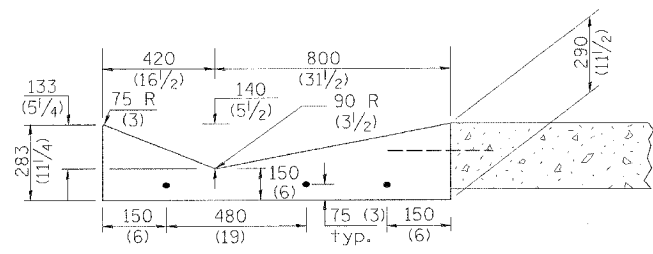
F.A.U. RTE.	SECTION	COUNTY	TOTAL SHEETS	SHEET NO.
6579 D5-00035-00-RP		PEORIA	31	21
STA.	TO STA.			
FED. ROAD DIST. NO. 4	ILLINOIS FED. AID PROJECT			



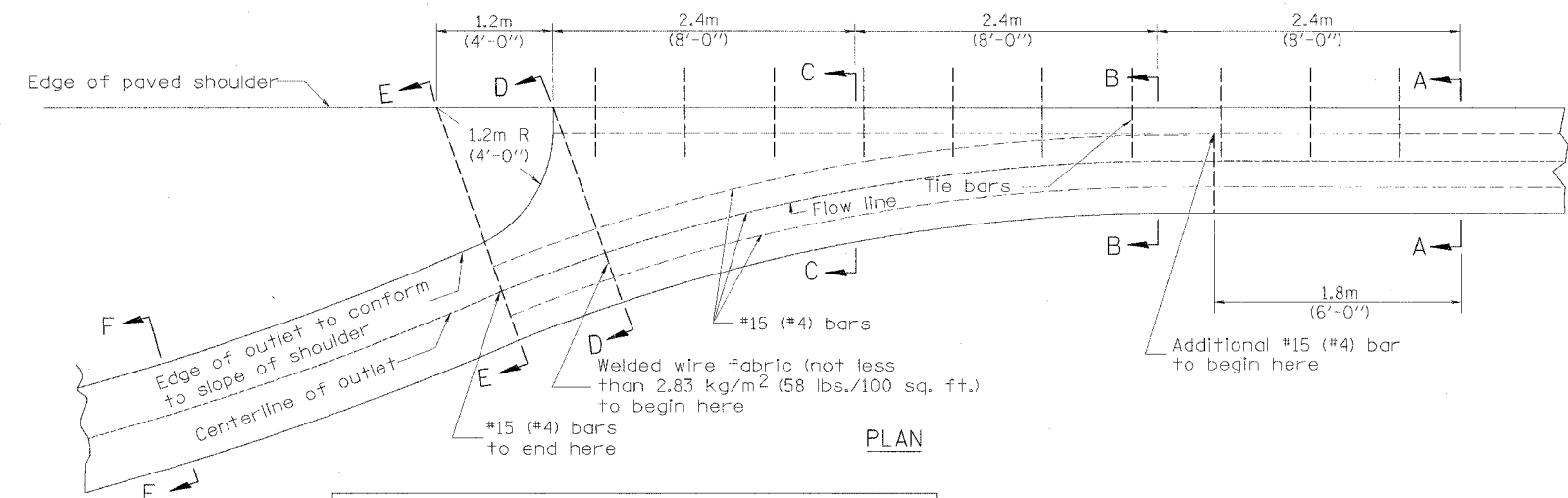
SECTION A-A



SECTION B-B



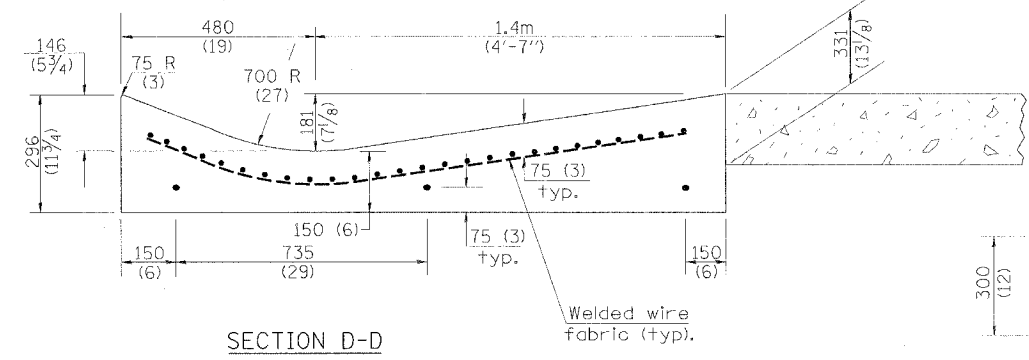
SECTION C-C



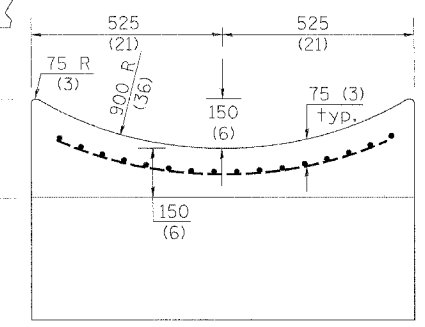
PLAN

QUANTITY
 Section A-A to E-E= (2.81 cu. yd.) concrete.
 Section F-F= (0.09 cu. yd./ft.) concrete.

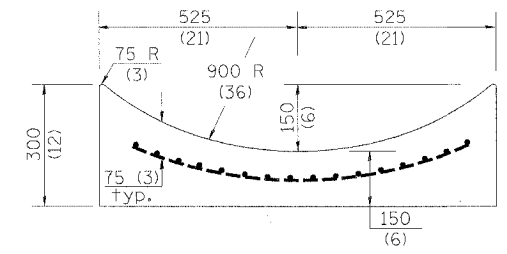
If the average grade of pavement for the distance from section A-A to section D-D exceeds 2%, this distance shall be increased 1.8m (6 ft.) for each 1% increase in grade. A quantity adjustment is required.



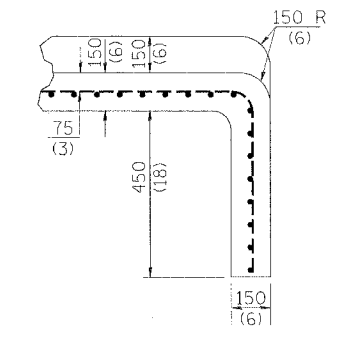
SECTION D-D



SECTION E-E

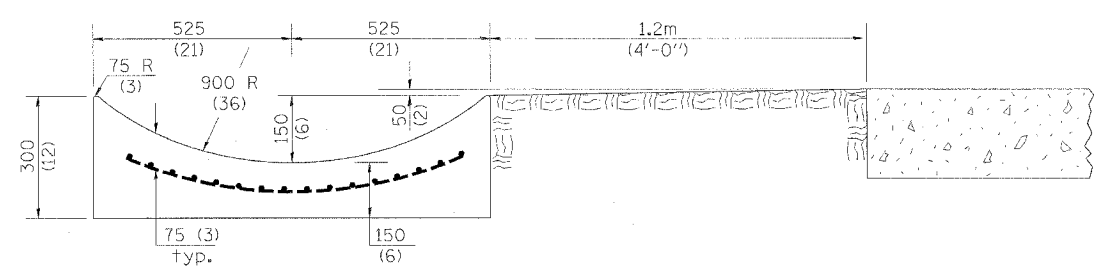


SECTION F-F



SECTIONS AT END OF OUTLET (CURTAIN WALL)

QUANTITY
 Curtain Wall
 (0.1 cu. yd.) concrete.



OUTLET

All dimensions are in millimeters (inches) unless otherwise noted.

REVISIONS	
NAME	DATE

ILLINOIS DEPARTMENT OF TRANSPORTATION
MOFFITT STREET IMPROVEMENTS
DETAIL - TYPE B GUTTER (MODIFIED)
SHEET 2 OF 2

DATE 12/05/06
 DRAWN BY DLC
 CHECKED BY REW

D:\TYPE B GUTTER.DWG 12/05/2006 11:41:33 AM