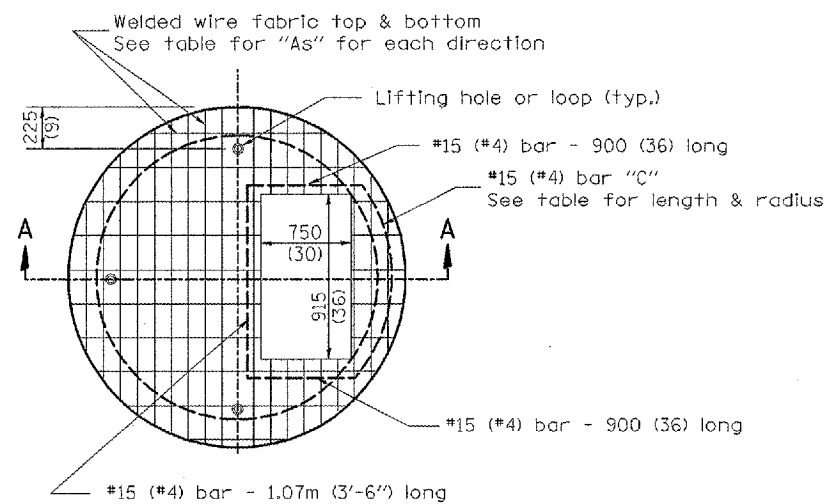
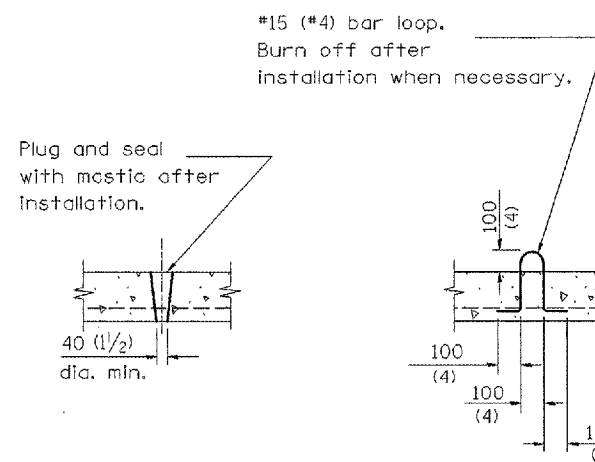


F.A. RTE.	SECTION	COUNTY	TOTAL SHEETS	SHEET NO.
	05-00030-01-FP	*	44	29
STA.		TO STA.		
FED. ROAD DIST. NO.	ILLINOIS	FED. AID PROJECT		
* FULTON & PEORIA CONTRACT NO. 89395				

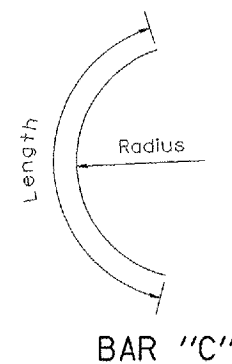


PLAN



LIFTING HOLE OR LIFTING LOOP
TYPICAL

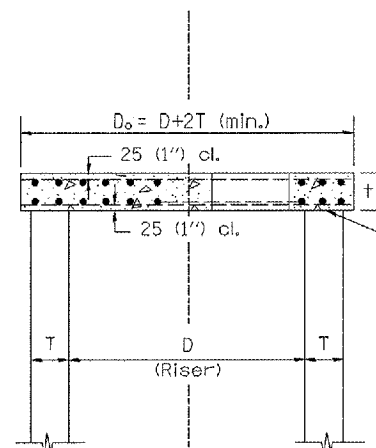
(3 required per slab)



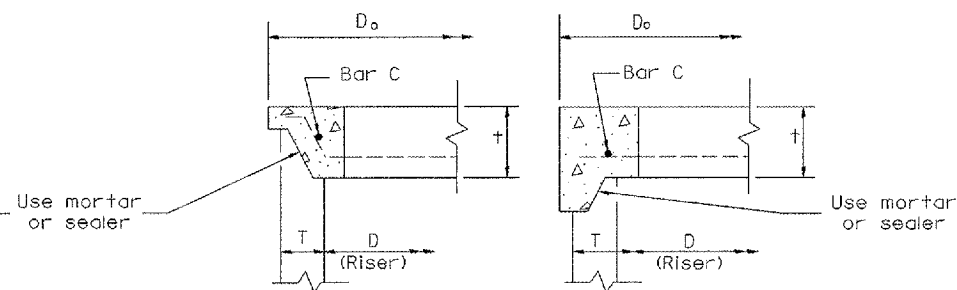
BAR "C"

TABLE

D	T	D _o (min.)	t	Reinforcement "As" W.W.F. each direction	Bar size	No. 15 (No. 4) Bar C	
						Length	Radius
1.2m (4')	125 (5)	1.5m (4'-10")	150 (6)	1480mm ³ / _m (0.70 sq. inch/lin. ft.)	No. 15 (No. 5)	1.35m (4'-6")	660 (26)
1.5m (5')	150 (6)	1.8m (6'-0")	200 (8)	1480mm ³ / _m (0.70 sq. inch/lin. ft.)	No. 15 (No. 5)	1.5m (5'-0")	810 (32)
1.8m (6')	195 (7 3/4)	2.2m (7'-3 1/2")	200 (8)	1860mm ³ / _m (0.88 sq. inch/lin. ft.)	No. 20 (No. 6)	1.8m (6'-0")	965 (38)
2.4m (8')	225 (9)	2.9m (9'-6")	250 (10)	1860mm ³ / _m (0.88 sq. inch/lin. ft.)	No. 20 (No. 6)	2.3m (7'-6")	1.27m (4'-2")



SECTION A-A



ALTERNATE JOINT CONFIGURATIONS

GENERAL NOTES

1. The precast reinforced concrete flat slab top shall be used with INLET-MANHOLE, TYPE G-1 and INLET-MANHOLE, TYPE G-1, SPECIAL.
2. Joint configuration and dimensions of flat slab top shall match and fit the riser joint detail.
3. Lifting devices shall be approved by the Engineer.

All dimensions are in millimeters (inches) unless otherwise noted.

ILLINOIS DEPARTMENT OF TRANSPORTATION		
DISTRICT CADD STANDARD		
PRECAST REINFORCED CONCRETE FLAT SLAB TOP FOR INLET-MANHOLE, TYPE G-1 AND TYPE G-1, SPECIAL		
CADD STANDARD 602101-D4		
SCALE NOT TO SCALE	DRAWN BY CADD	
DATE **DATE**	CHECKED BY	

DATE	REVISIONS	BY
1-1-97	RENUM. B-4.07. NEW REVISION BOX	T.P.

DESIGNER NOTES:
1. Include this standard with Type G-1 and Type G-1, Special Inlet-Manholes.
2. The flat slab top is included in the cost of INLET-MANHOLES as per District Special Provision.

DATE