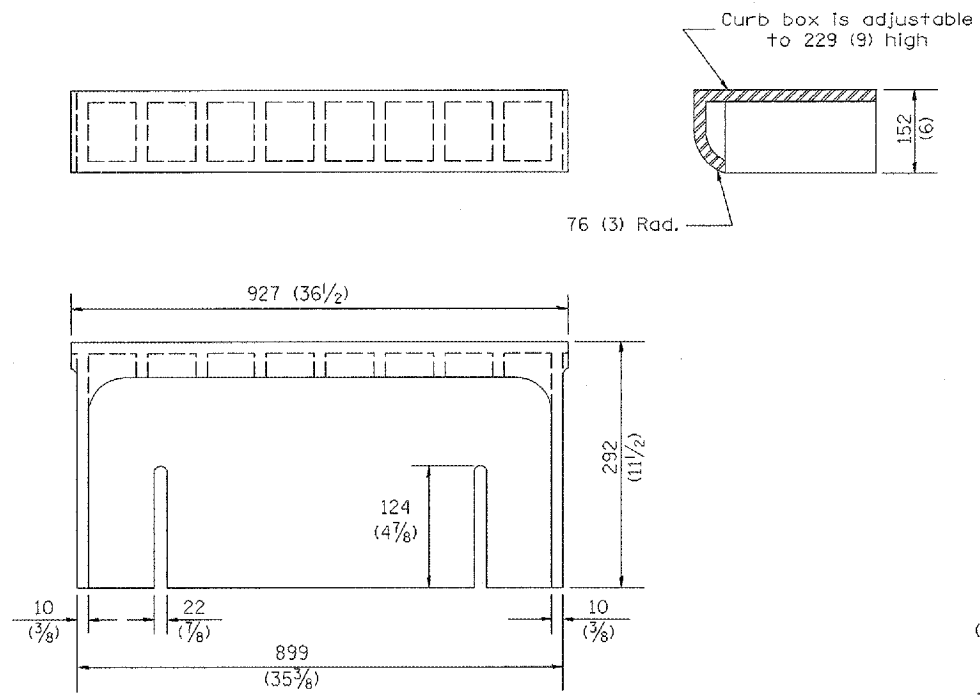
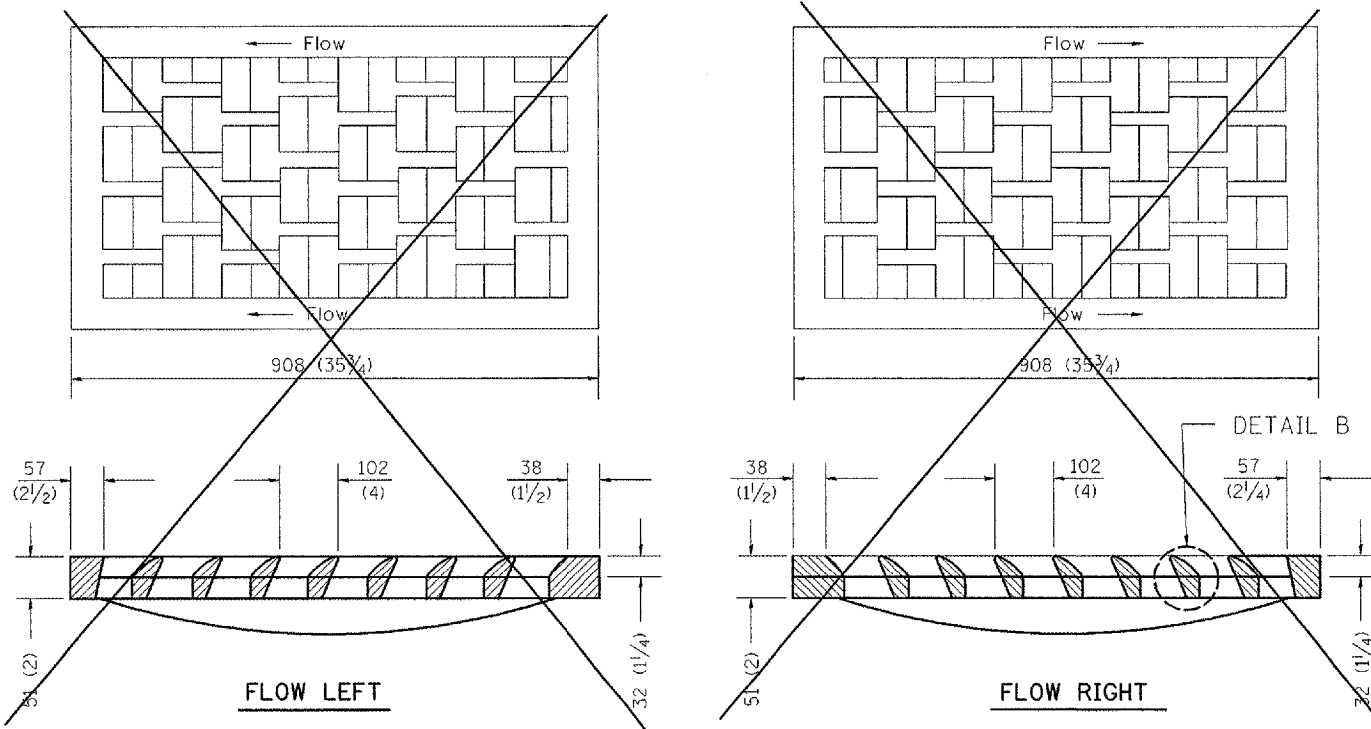


F.A. RTE.	SECTION	COUNTY	TOTAL SHEETS	SHEET NO.
	05-00030-01-FP	*	44	31
STA.	TO STA.			
FED. ROAD DIST. NO.	ILLINOIS	FED. AID PROJECT		

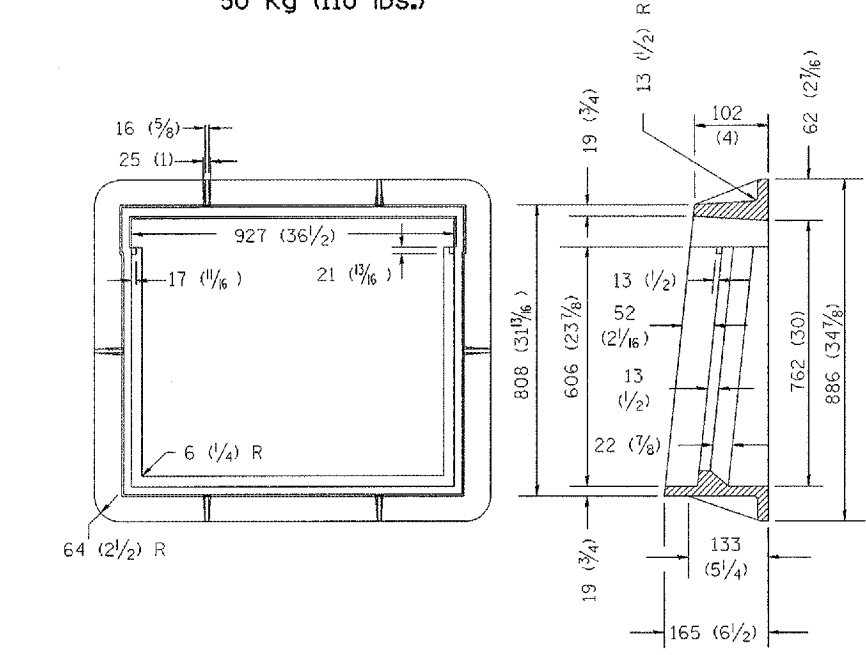
* FULTON & PEORIA
CONTRACT NO. 89395



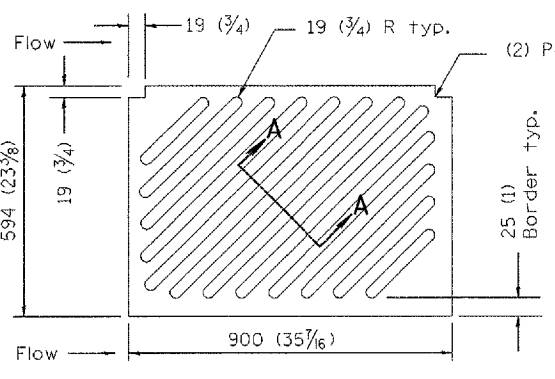
CAST CURB BOX
50 kg (110 lbs.)



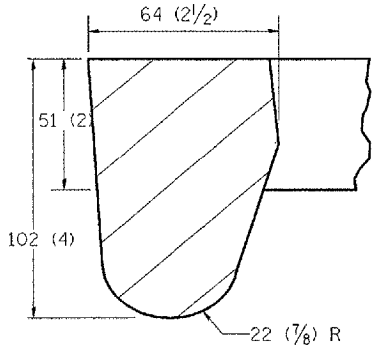
CAST VANE GRATES
(SPECIFY LEFT OR RIGHT FLOW)
104 KG (230 lbs.)



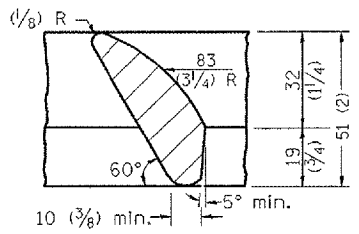
CAST FRAME
123 kg (271 lbs.)



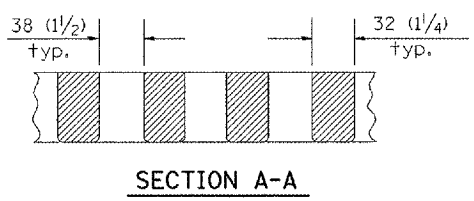
CAST DIAGONAL GRATE
(Reversible for flow)
98 kg (217 lbs.)



DETAIL A



DETAIL B



SECTION A-A

GENERAL NOTES

- The frame and grate shown on this drawing are for use with all TYPE G-1 and TYPE G-1, SPECIAL DRAINAGE STRUCTURES. See plans for grate type and flow direction.
- Flow direction: As viewed from street side.
- Material: cast gray iron.

DATE	REVISIONS	BY
1-1-97	RENUM. 8-10.01. NEW REVISION BOX	T.P.

All dimensions are in millimeters (Inches) unless otherwise noted.

ILLINOIS DEPARTMENT OF TRANSPORTATION
DISTRICT CADD STANDARD

**FRAME AND GRATES FOR
TYPE G-1 AND TYPE G-1, SPECIAL
DRAINAGE STRUCTURES**

CADD STANDARD 604001-D4
SCALE NOT TO SCALE
DATE: #DATE#

DRAWN BY: CADD
CHECKED BY:

DESIGNER NOTES:
1. Include this standard with all Type G-1 and Type G-1, Special Drainage Structures.
2. Specify grate types and flow directions in plans.
3. These castings are included in the cost of the drainage structures as per District Special Provision.
4. This drawing based upon "NEENAH" designs as follows:
Inlet Frame: R-3246-A . Curb Box: R-3290
Reversible Diagonal Grate: R-3246-A
Vane Grates: R-3246-AL (Flow left)
R-3246-AL (Flow right)