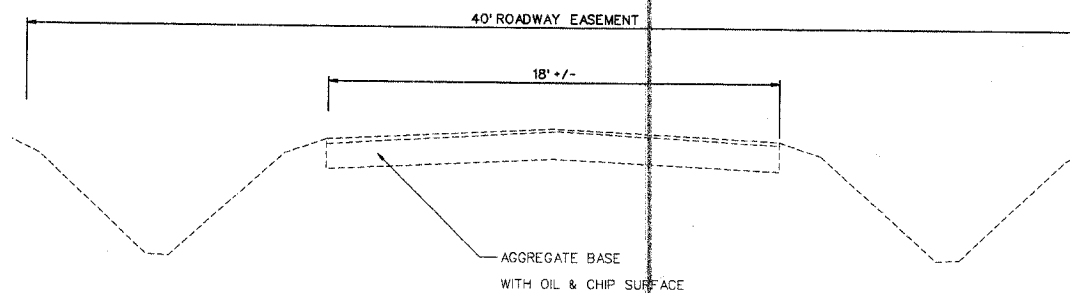


ROUTE NO.	SECTION	COUNTY	TOTAL SHEETS	SHEET NO.
--	05-00154-00-BR	VERMILION	54	7
STA. TO STA.		ILLINOIS PROJECT		
F.H.W.A. REC.		ILLINOIS PROJECT		

EXISTING TYPICAL SECTION



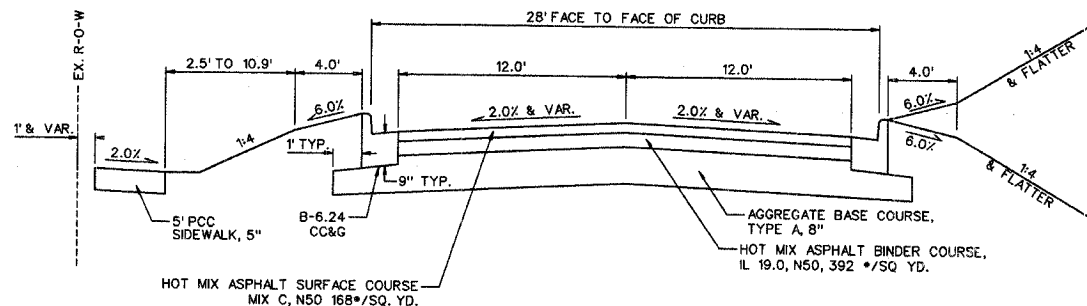
PROPOSED TYPICAL SECTIONS

PLAN

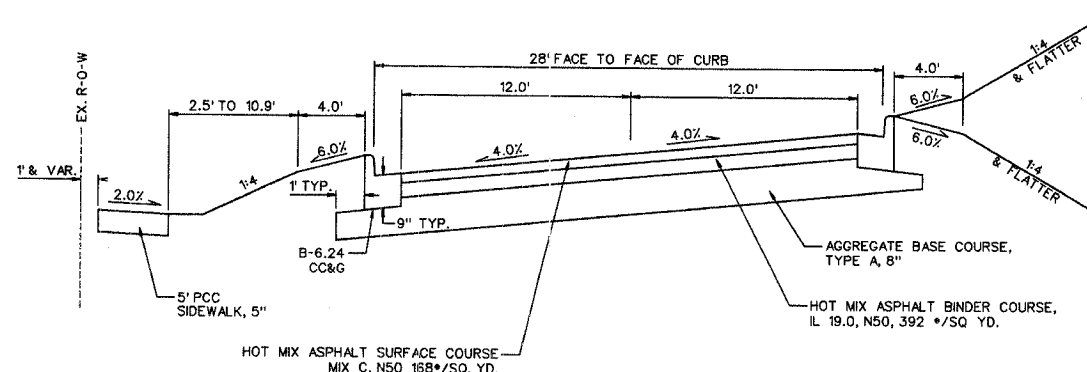
DATE	
BY	
SURVEYED	
PLOTTED	
NOTE BOOK	
RT. OF WAY CHECKED	
NO.	

PROFILE

DATE	
BY	
SURVEYED	
GRADES CHECKED	
NOTE BOOK	
B.M. & NOTED	
STRUCTURE NOTATIONS CHKD	
NO.	



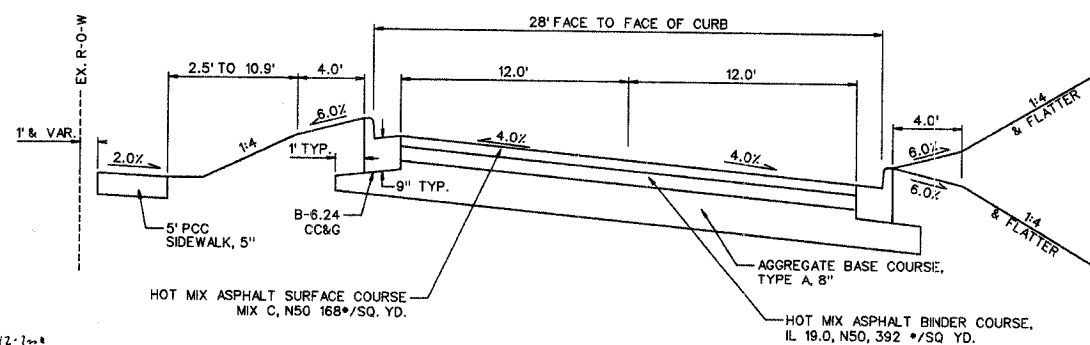
TYPICAL SECTION  
99+38 ~ 100+13.81  
100+95.35 ~ 102+45.35  
(S.E. TRANSITIONS  
ON NEXT SHEET)



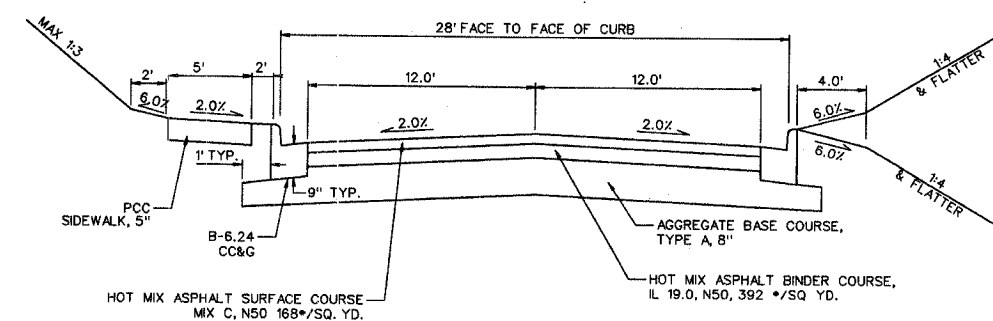
TYPICAL SECTION  
100+13.81 ~ 100+95.35

SEE NEXT SHEET  
FOR SUPERELEVATION  
TRANSITIONS

TYPICAL SECTION  
107+45 ~ 108+11  
SEE BRIDGE PLAN SHEETS



TYPICAL SECTION  
102+45.35 ~ 103+32.57



TYPICAL SECTION  
103+32.57 ~ 107+45  
&  
108+11 ~ 113+00

NOTE: EXISTING PAVEMENT IS 6" OIL  
AND CHIP AND BITUMINOUS  
ASPHALT ON AN AGGREGATE BASE.



ELLEN B. HEDRICK  
REGISTERED PROFESSIONAL  
ENGINEER  
ILLINOIS REGISTERED PROFESSIONAL  
ENGINEER NUMBER 062-049131  
LICENSE EXPIRES 11-30-07