

ROUTE NO.	SECTION	COUNTY	TOTAL SHEETS	SHEET NO.
--	05-00154-00-BR	VERMILION	54	24
STA.		TO STA.		
F.H.W.A. REG.		ILLINOIS PROJECT		

PLAN

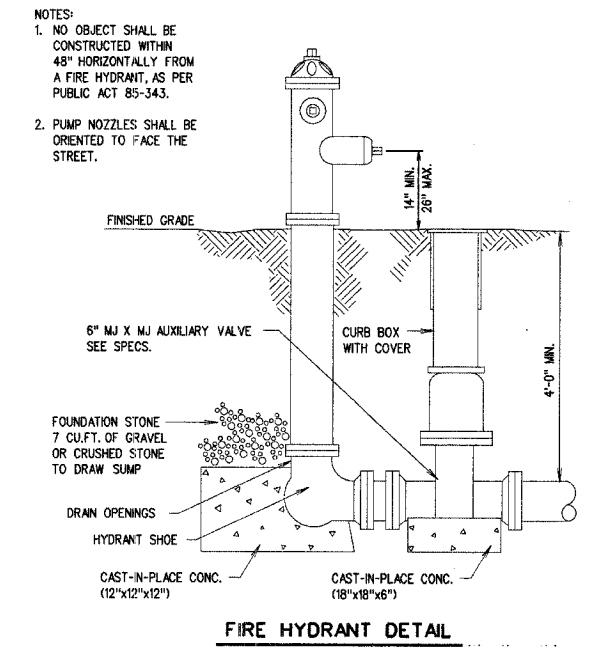
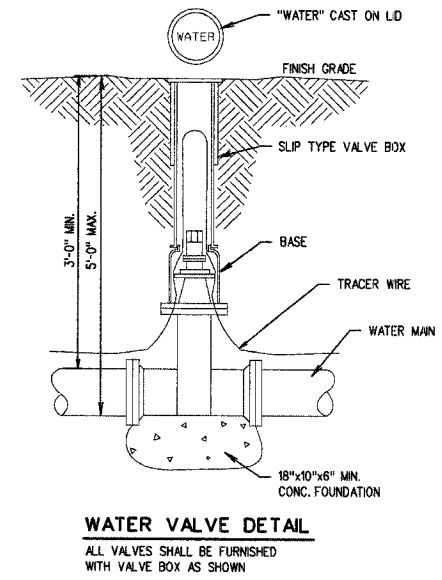
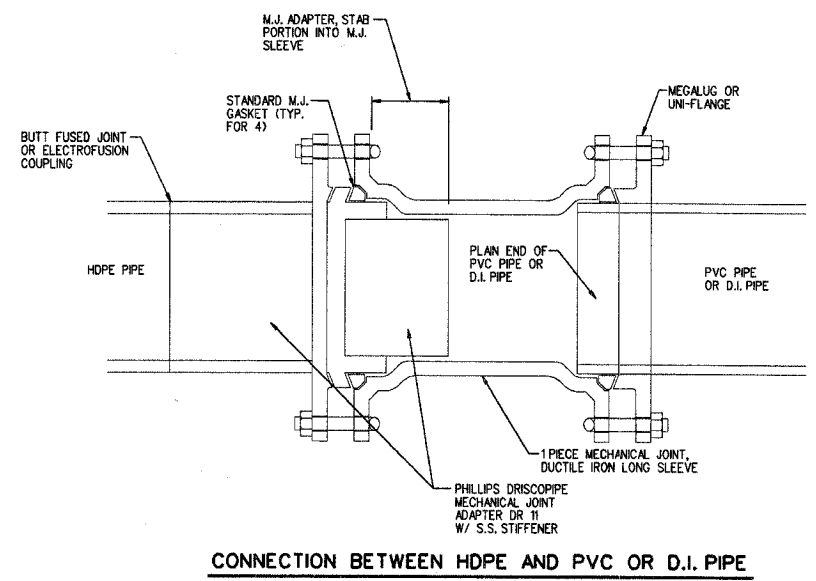
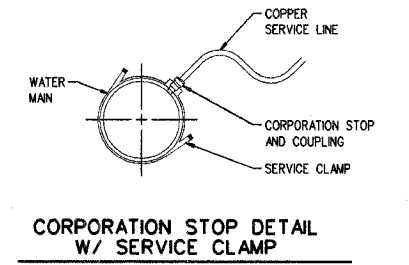
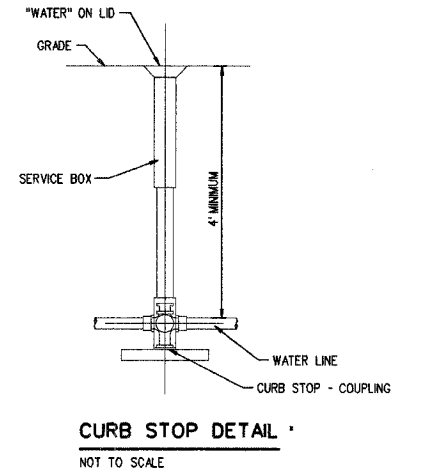
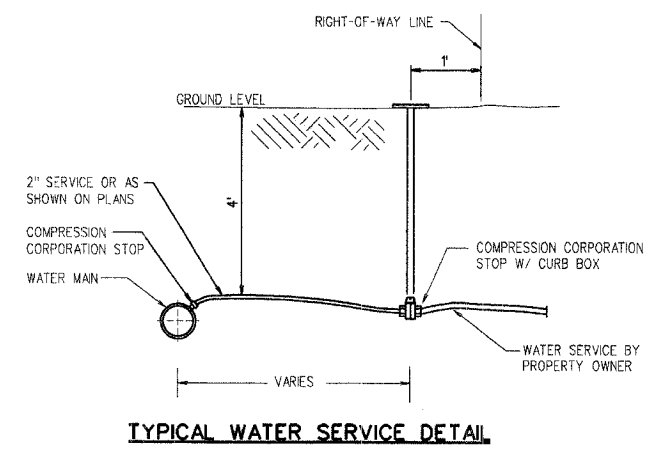
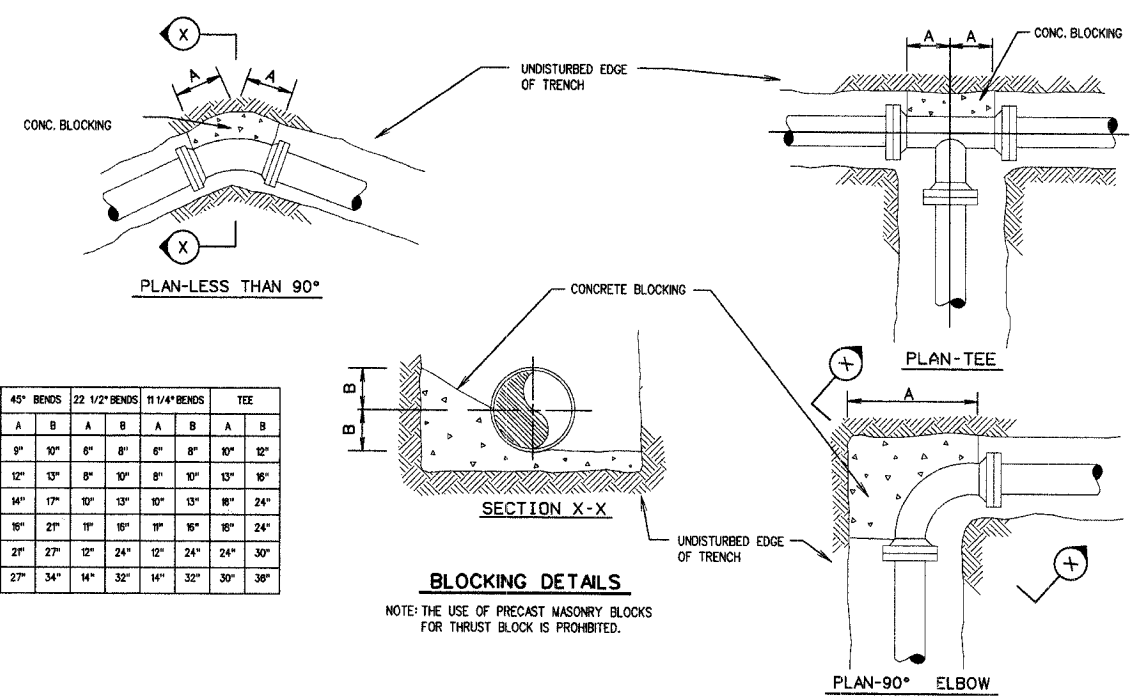
DATE	BY	DATE	BY

SURVEYED
 PLOTTED
 CHECKED
 NOTE BOOK
 RT. OF WAY CHECKED
 NO.

PROFILE

DATE	BY	DATE	BY

SURVEYED
 PLOTTED
 CHECKED
 NOTE BOOK
 B.M.S. NOTED
 STRUCTURE NOTATIONS CHNO
 NO.



- NOTES:
- NO OBJECT SHALL BE CONSTRUCTED WITHIN 48" HORIZONTALLY FROM A FIRE HYDRANT, AS PER PUBLIC ACT 85-343.
 - PUMP NOZZLES SHALL BE ORIENTED TO FACE THE STREET.

WATER MAIN DETAILS



Ellen B. Hedrick
 REGISTERED PROFESSIONAL ENGINEER
 OF ILLINOIS
 LICENSE NUMBER 062-049131
 LICENSE EXPIRES 11-30-07