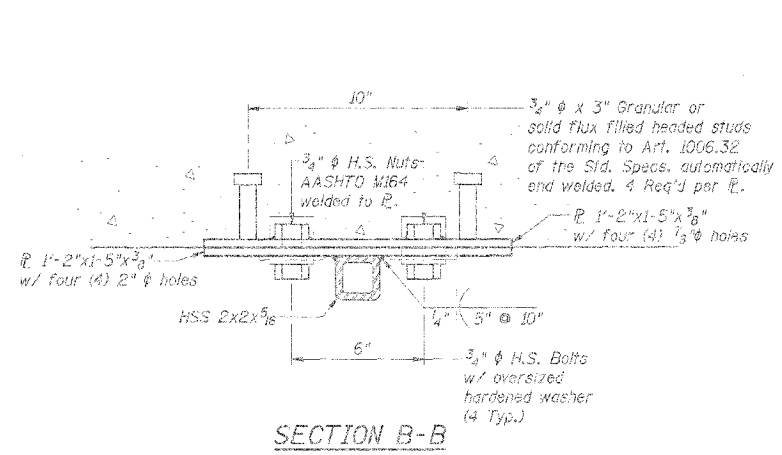
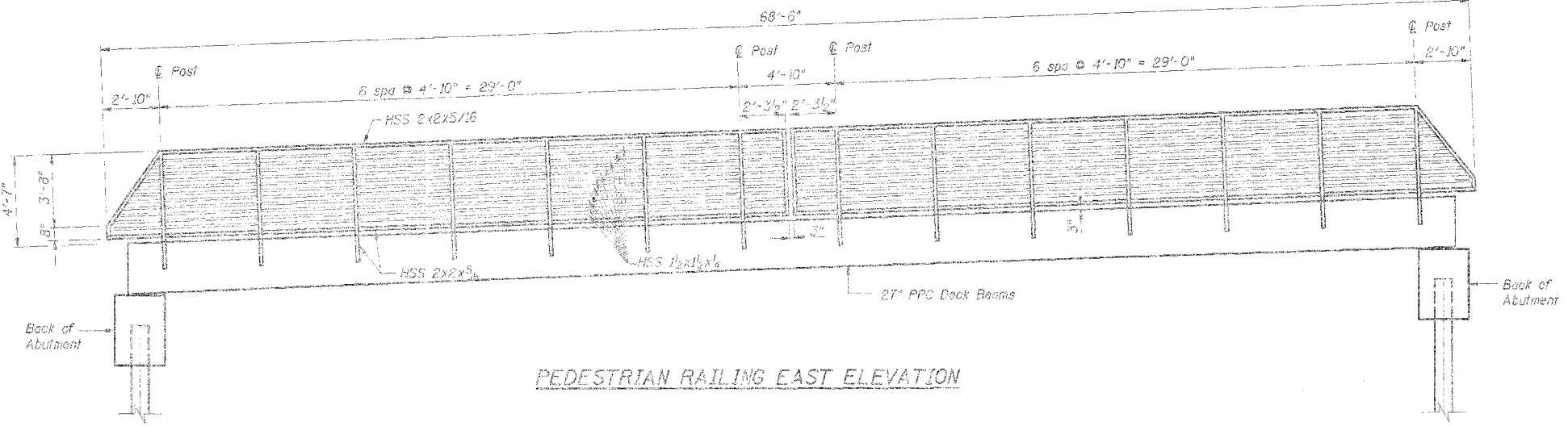


ROUTE NO.	SECTION	DATE	SHEET
FAS 507	*	Vermilion	54
PROJECT SHEET NO.	DATE	DATE	DATE

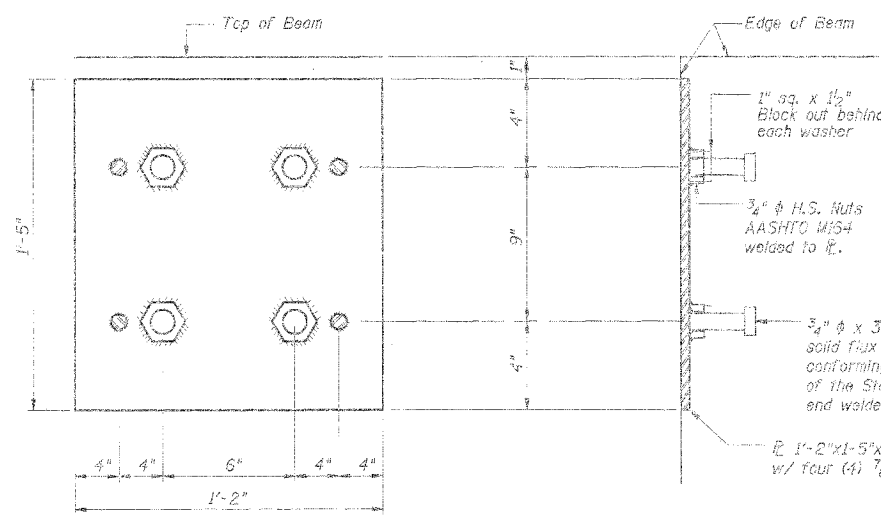
*05-00154-00-BR



SECTION B-B

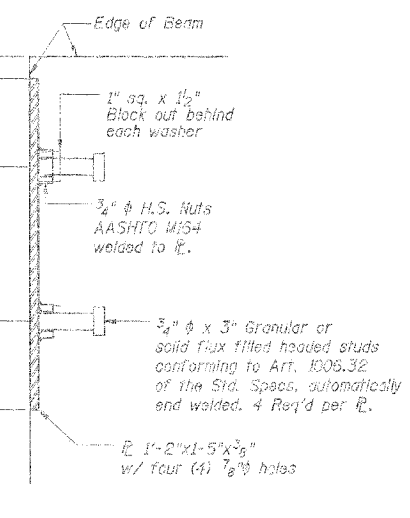


PEDESTRIAN RAILING EAST ELEVATION



ANCHOR ELEVATION

(Cast into PPC Deck Beam)



ANCHOR SECTION

(Cast into PPC Deck Beam)

BILL OF MATERIAL

Item	Unit	Quantity
Pedestrian Railing (Special)	Foot	137

NOTES

Hollow structural sections shall conform to the requirements of ASTM designation A 500, Grade B, Structural Steel Tubing and shall meet the longitudinal CVM requirements of 15 ft-lbs at 0°F.

All other steel shapes and plates shall conform to the requirements of AASHTO M 270 Grade 36.

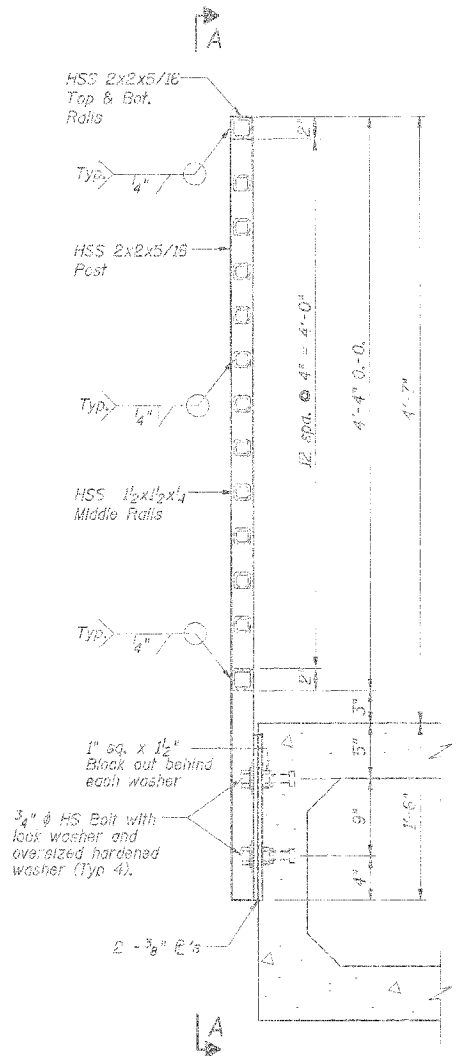
Plates welded to the posts shall have 2" diameter shop drilled oversize holes to accommodate field installation. Oversize hardened washers shall be used in combination with lock washers and high strength bolts.

Bolts, and nuts shall conform to the requirements of ASTM designation A 307 except for high strength bolts, nuts and washers noted which shall conform to AASHTO M 164.

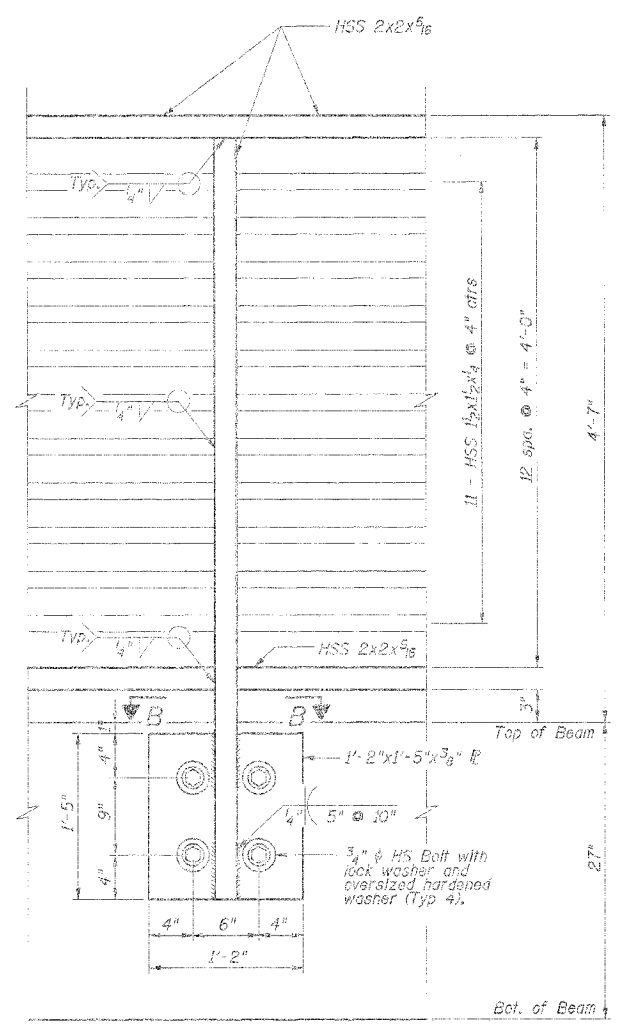
All bolts, nuts, washers and lock washers shall be galvanized according to AASHTO M 232.

All posts, railing, and anchor devices shall be galvanized after shop fabrication according to AASHTO M III and ASTM A 365. Galvanized rail shall not be painted.

Railing shall be according to Section 509 of the Standard Specifications, except as noted, and will be paid for at the contract unit price per foot for PEDESTRIAN RAILING (SPECIAL).



SECTION AT RAIL POST



SECTION A-A

DESIGN	K.J. Hoffmann				
DR	K.J. Hoffmann				
CHK	A. Fraenhoffer				
APP	A. Fraenhoffer	NO.	DATE	REVISION	BY

FRAUENHÖFFER
Frauenhoffer and Associates, P.C. Consulting Engineers
3002 Crossing Court Champaign, IL 61822 217-361-6268

PEDESTRIAN RAILING
VILLAGE OF CATLIN
SECTION 05-00154-00-BR
VERMILION COUNTY

SHEET 51
DWG 5022-ped.dgn
DATE AUG 2006
PROJ 502
NO.