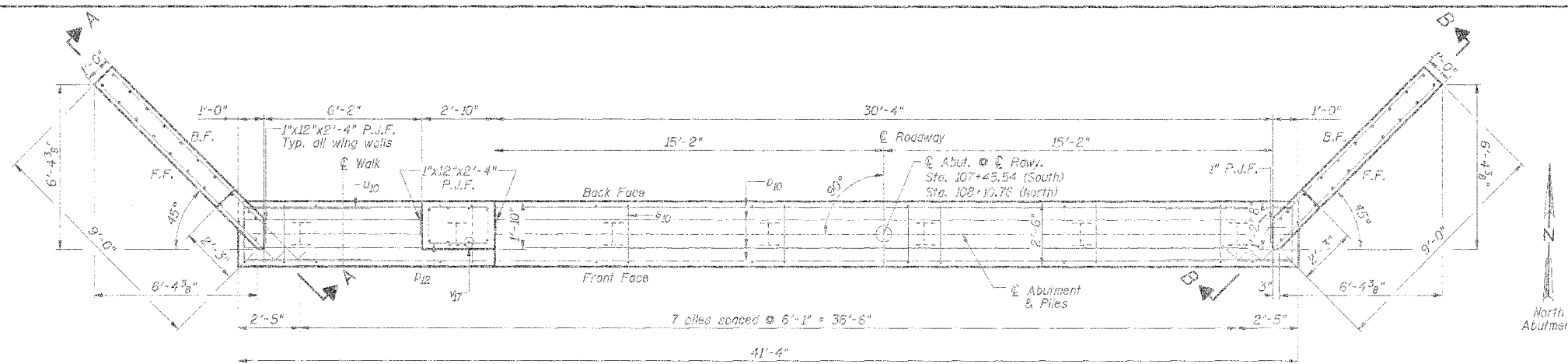


ROUTE NO.	SECTION	COUNTY	SHEET	TOTAL
FAS 507	*	Vermilion	54	52
JOB NO. 05-00154-00-BR		SHEET NO. 54 OF 52		

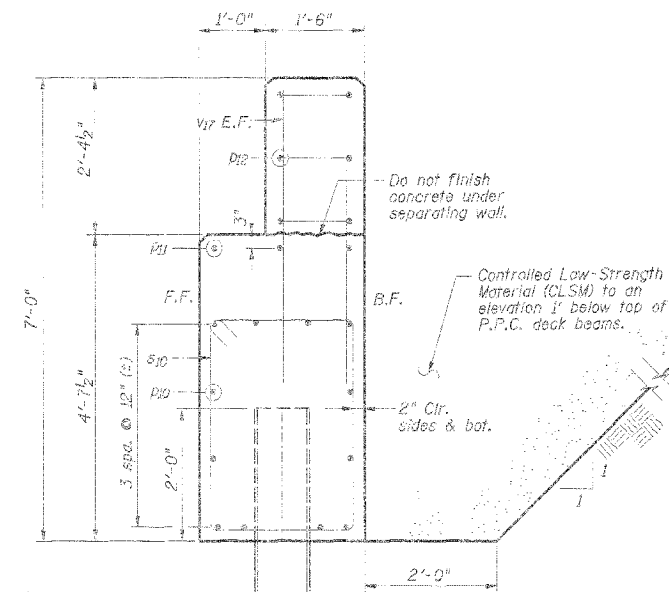
*05-00154-00-BR



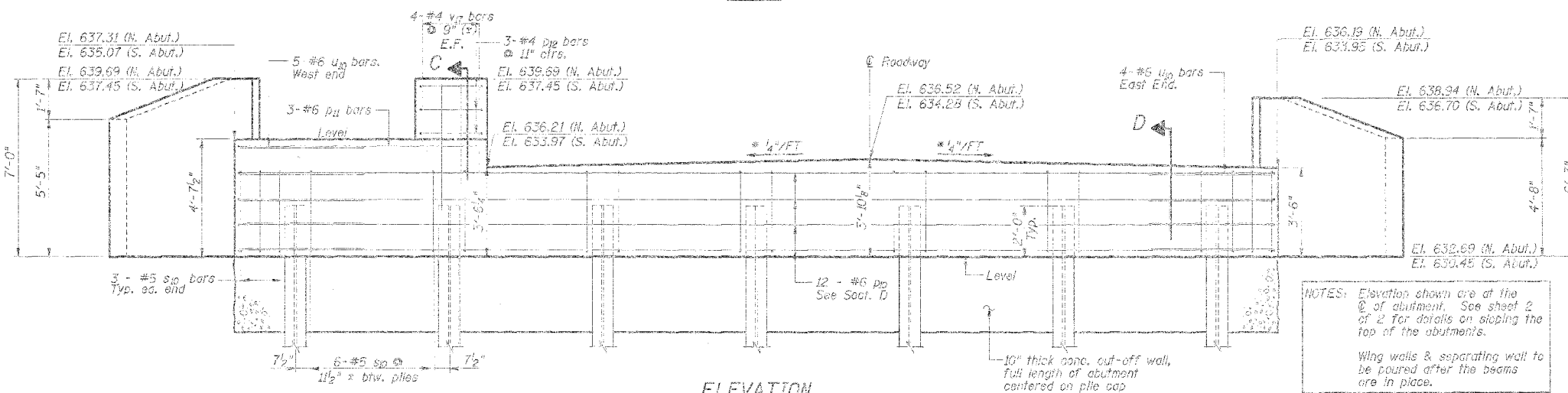
PLAN

North abutment shown.
South abutment is mirror image about the \odot abutment.

North Abutment

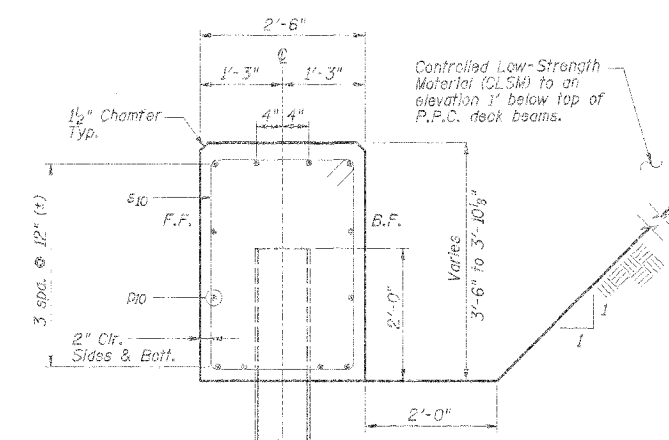


SECTION C
(Perpendicular to \odot of Abutment)

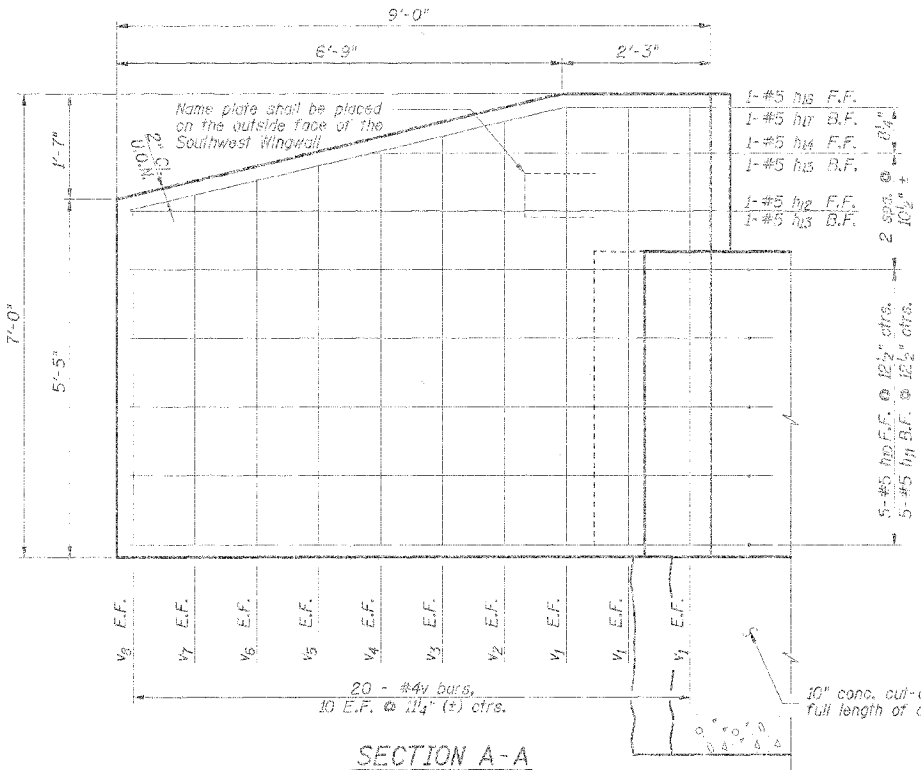


ELEVATION

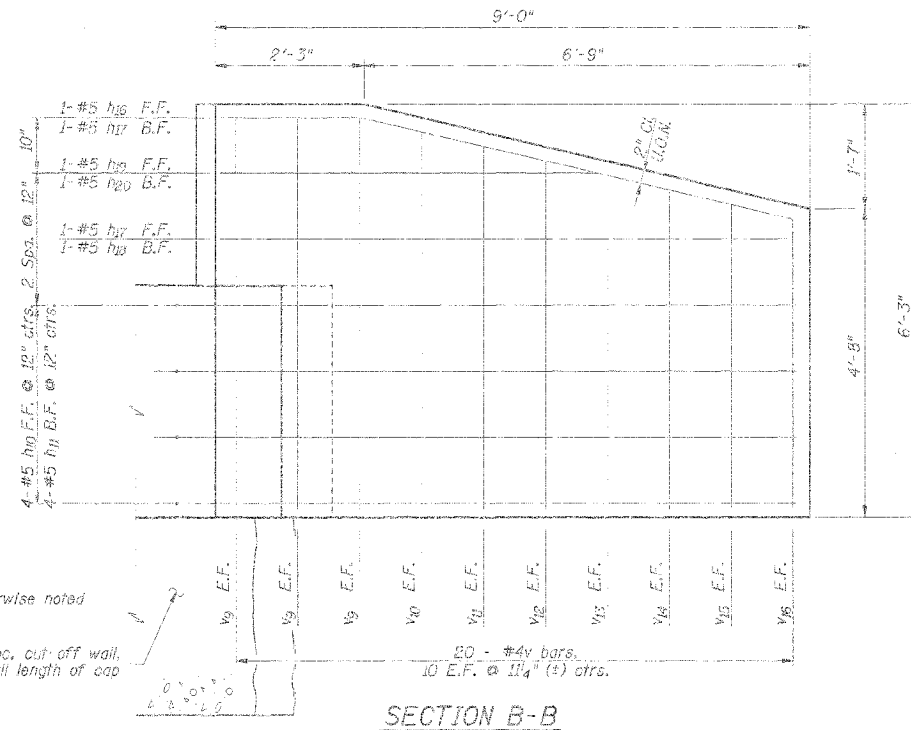
NOTES: Elevation shown are at the \odot of abutment. See sheet 2 of 2 for details on sloping the top of the abutments.
Wing walls & separating wall to be poured after the beams are in place.



SECTION D
(Perpendicular to \odot of Abutment)



SECTION A-A



SECTION B-B

F.F. - Front Face
B.F. - Back Face
E.F. - Each Face
U.O.M. - Unless otherwise noted

10" conc. cut-off wall, full length of cap

10" conc. cut-off wall, full length of cap

10" conc. cut-off wall, full length of cap

DSGN	K.J. Hoffmann
DR	K.J. Hoffmann
CHK	J.A. Frauenhoffer
APVD	J.A. Frauenhoffer

FRAUENHOFFER

Frauenhoffer and Associates, P.C. Consulting Engineers
3002 Crossing Court Champaign, IL, 61822 217-351-6269

ABUTMENTS - SHEET 1 OF 2

VILLAGE OF CATLIN
SECTION 05-00154-00-BR
VERMILION COUNTY

SHEET	52
DWG NO.	5022-act.dwg
DATE	JUNE 2006
PROJ NO.	5022