



Illinois Department of Transportation

2300 South Dirksen Parkway / Springfield, Illinois / 62764

February 16, 2007

SUBJECT: FAS Route 473
CH 8
Project HPP-715(4)
Section 05-00046-12-FP
McLean County
Contract No 91370
Item 94 A
March 9, 2007 Letting

TO PROSPECTIVE BIDDERS:

To clarify information it is necessary to revise the following:

Proposal- Replaced Index to Local Roads and Street Special Provisions with revised copy. Added special LR SD 630 to the special provision on pages 55A-55D. Added special LR SD 631 to the special provisions on pages 55E-55H.

Plans –Revised Cover sheet to reflect changes to the Highway Standards

Prime contractors must utilize the enclosed material when preparing their bid and must include any Schedule of Prices changes in their bidding proposal. Bidders using computer-generated bids are cautioned to reflect any and all Schedule of Prices changes, if involved, into their computer programs.

Since the proposal sheets are printed back to back, bidders are cautioned to exercise care when inserting revised and/or added special provisions into their proposals.

Please call 217-782-7806 if any of the above-described material is not included in this transmittal.

Very truly yours,

Eric Harm
Interim Engineer of Design and Environment

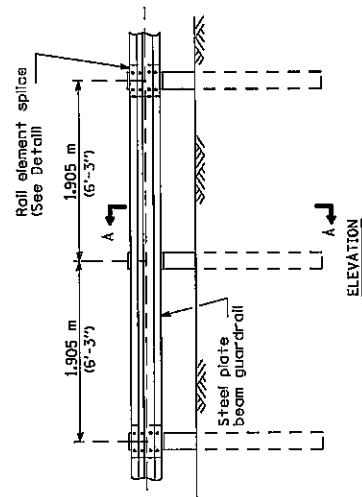
A handwritten signature in black ink, appearing to read "Ted B. Walschleger" with a small "P.E." to the right.

By: Ted B. Walschleger, P. E.
Engineer of Project Management

INDEX LOCAL ROADS AND STREETS SPECIAL PROVISIONS

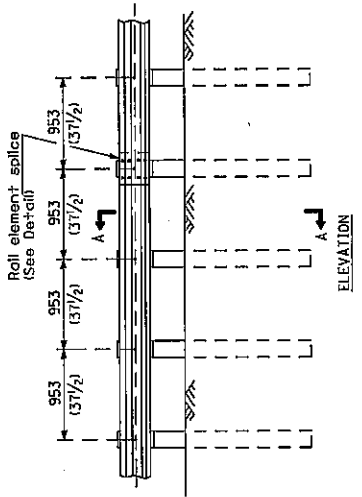
<u>LR#</u>	<u>Title (Effective Date) (Revision Date)</u>	<u>Page #</u>
LR SD 12	"Slab Movement Detection Device" (Eff. 11/1/84) (Rev. 1/1/07).....	
LR SD 13	"Required Cold Milled Surface Texture" (Eff. 11/1/87) (Rev. 1/1/07).....	
LR SD 630	X "Steel Plate Beam Guardrail" (Eff. 2/1/07). Developed to allow local agencies to continue to use 27" guardrail with 6 inch blockouts.	55A-55D
LR SD 631	X "Traffic Barrier Terminals" (Rev. 2/1/07). Developed to keep Traffic Barrier Terminals Type 1, 2 & 5A as an option for local agencies to use with 27" guardrail with 6 inch blockouts.	55E-55H
LR SD 633	"Remove and Reerect Steel Plate Beam Guardrail" (Eff. 2/1/07). Developed to allow local agencies to replace 27" guardrail with 6 inch blockouts.	
LR 102	"Protests on Local Lettings" (Eff. 1/1/07). Developed to allow local agencies to adopt the department's interested party protest procedures outlined in Title 44 of the IL Administrative Code.	
LR 105	X "Cooperation with Utilities" (Eff 1/1/99) (Rev 1/1/07). Formerly issued as LRS 1 and was reissued as an LR Contract Special Provision based on industry concerns discussed at the Joint Coop.	56-58
LR 107-1	"Nationwide Permit No. 14" (Eff. 2/1/04) (Rev. 3/1/05). Developed to outline the necessary requirements to comply with No. 14 permits.	
LR 107-2	"Railroad Protective Liability Insurance for Local Lettings" (Eff. 3/1/05) (Rev 1/1/06). Developed to require insurance policies to be submitted to the letting agency rather than the department.	
LR 107-3	"Disadvantaged Business Enterprise Participation" (Eff. 1/1/07). Developed to require DBE utilization plans to be submitted to the local agency.	
LR 107-4	"Insurance" (Eff. 2/1/07). Developed based on recommendations from IACE Policy Committee to ensure local agencies are indemnified when their projects are on the state letting.	
LR 108	"Combination Bids (Eff. 1/1/94) (Rev. 3/1/05). Developed to allow the revision of working days and calendar days. Revised to incorporate applicable portions of deleted Sections 102 & 103.	
LR 212	"Shaping Roadway" (Eff. 8/1/69) (Rev. 1/1/02).	
LR 355-1	"Asphalt Stabilized Base Course, Road Mix or Traveling Plant Mix" (Eff. 10/1/73) (Rev. 1/1/07)	
LR 355-2	"Asphalt Stabilized Base Course, Plant Mix" (Eff. 2/20/63) (Rev. 1/1/07)	
LR 400	"Bituminous Treated Earth Surface (Eff. 1/1/07). Developed since Section 401 was eliminated from the 2007 Standard Specifications.	
LR 402	"Salt Stabilized Surface Course" (Eff. 2/20/63) (Rev. 1/1/07)	
LR 403-2	Bituminous Hot Mix Sand Seal Coat" (Eff. 8/1/69) (Rev. 1/1/07)	
LR 420	X "PCC Pavement (Special)" (Eff. 5/12/64) (Rev. 1/1/07). Developed to allow local agencies to construct quality PCC pavements for low volume roads.	59-61
LR 442	"Bituminous Patching Mixtures for Maintenance Use" (Eff 1/1/04) (Rev. 2/1/07). Developed to reference approved bituminous patching mixtures.	
LR 451	"Crack Filling Bituminous Pavement with Fiber-Asphalt" (Eff. 10/1/91) (Rev. 1/1/07)	
LR 503-1	"Furnishing Class SI Concrete" (Eff. 10/1/73) (Rev. 1/1/02)	
LR 503-2	"Furnishing Class SI Concrete (Short Load)" (Eff. 1/1/89) (Rev. 1/1/02). Developed to allow a load charge to be added when short loads are expected during the contract.	
LR 542	"Pipe Culverts, Type _____ (Furnished)" (Eff. 9/1/64) (Rev. 1/1/07)	
LR 663	"Calcium Chloride Applied" (Eff. 6/1/58) (Rev. 1/1/07)	
LR 702	"Construction and Maintenance Signs" (Eff 1/1/04) (Rev 1/1/07). Developed to require florescent orange sheeting and a minimum sign size of 48" X 48" on construction and maintenance signs.	
LR 1004	"Coarse Aggregate for Bituminous Surface Treatment" (Eff. 1/1/02) (Rev 1/1/07). Developed to provide a coarser mix when aggregate producers have adjusted the CA-16 gradation according to the Aggregate Gradation Control System (AGCS) to a finer mix for Hot-Mix Asphalt.	
LR 1013	"Rock Salt (Sodium Chloride)" (Eff. 8/1/69) (Rev. 1/1/02)	
LR 1032-1	"Penetrating Emulsions" (Eff. 1/1/07) (Rev. 2/1/07). Developed to combine Penetrating Emulsified Asphalt and Penetrating Emulsified Prime into a single special provision.	
LR 1032-2	"Multigrade Cold Mix Asphalt" (Eff. 1/1/07) (Rev. 2/1/07). Developed to provide the material specification for Multigrade cold mix asphalt.	
LR 1102	"Road Mix or Traveling Plan Mix Equipment" (Eff. 1/1/07). Developed to replace road mix and traveling plant mix bituminous equipment that was eliminated from the Standard Specifications.	

Revised
2/16/07



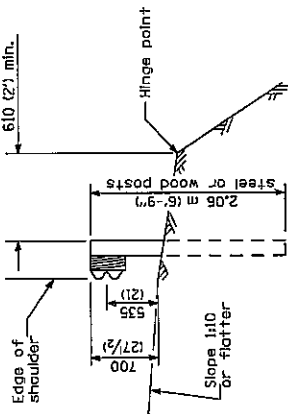
TYPE A

1.905 m (6'-3") Typical post spacing

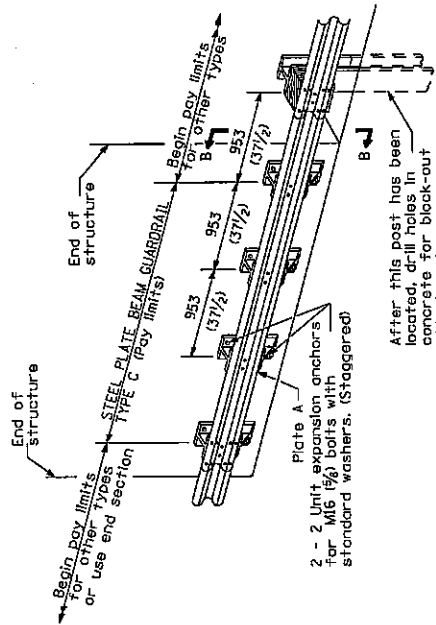


TYPE B

953 (37 1/2) Closed post spacing

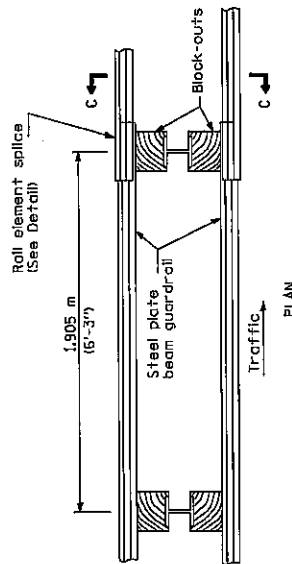


SECTION A-A



TYPE C

953 (37 1/2) Block-out spacing



TYPE D

Double steel plate beam guardrail
1.905 m (6'-3") typical post spacing

GENERAL NOTES

All slope ratios are expressed as units of vertical displacement to units of horizontal displacement (V/H).

All dimensions are in millimeters (inches) unless otherwise shown.

The existing steel posts may be drilled to match the bolt pattern shown herein for the wood block-out, or a new steel post shall be provided.

Effective 2/1/07

STEEL PLATE BEAM GUARDRAIL

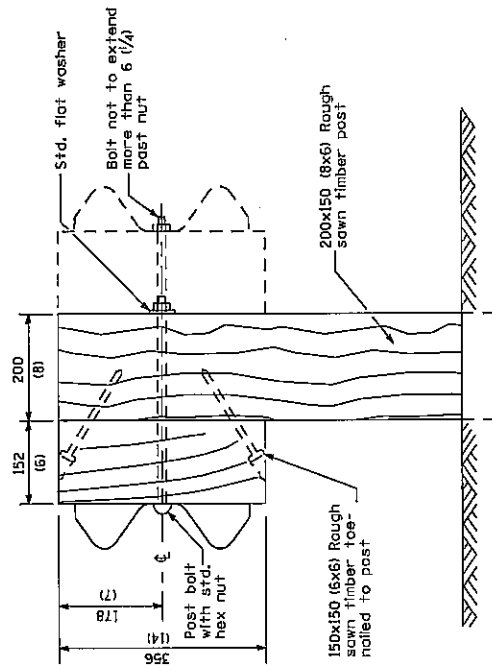
(Sheet 1 of 4)

LR SD 630

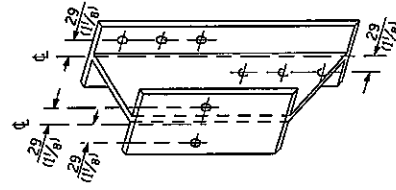
Effective 2/1/07

55A

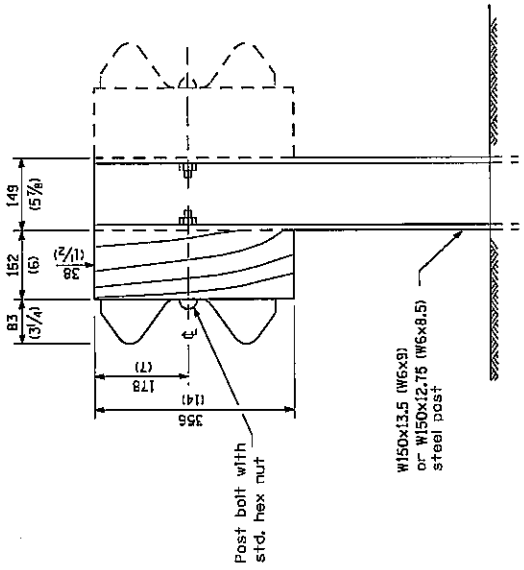
Added
2/16/07



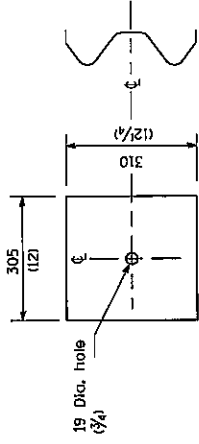
WOOD POST CONSTRUCTION



STEEL BLOCK-OUT DETAIL



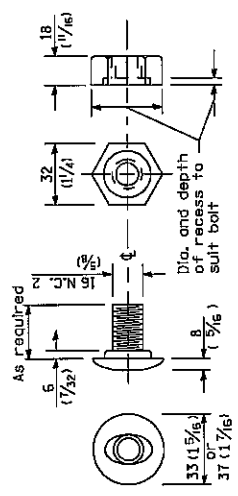
STEEL POST CONSTRUCTION



NOTE

Plate A shall be placed between roll element and block-out of non-splice mounting points only when steel block-outs are used.

PLATE A

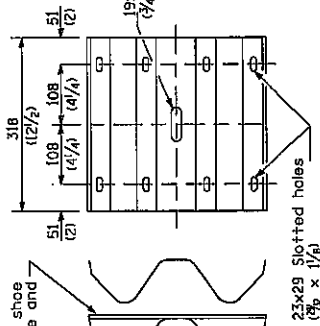


POST OR SPLICE BOLT & NUT

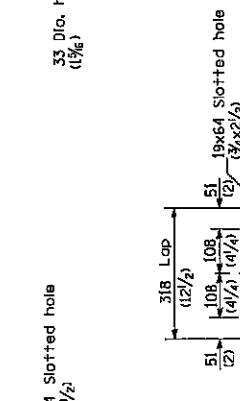
55B

Added
2/16/07

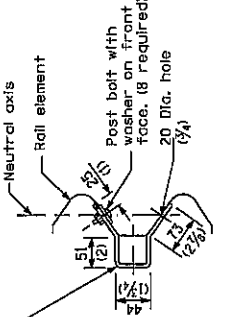
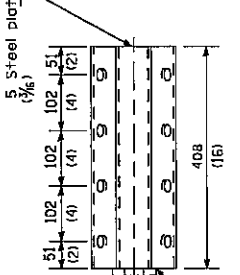
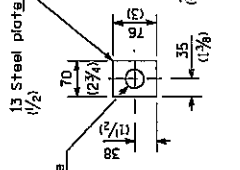
Place standard end shoe between splice plate and roll element



SPLICE PLATE



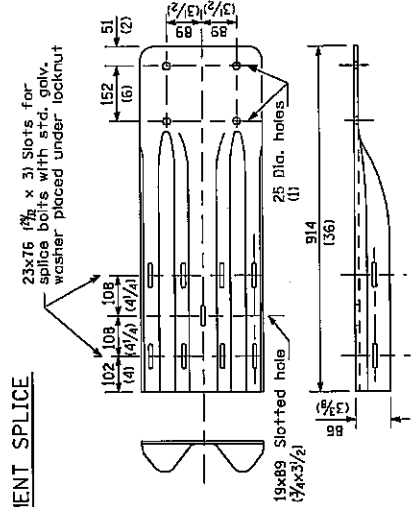
Class A rail element



NOTE
Anchor plate T shall be used to attach cable assembly to guardrail when required on traffic barrier terminals.

ANCHOR PLATE T DETAILS

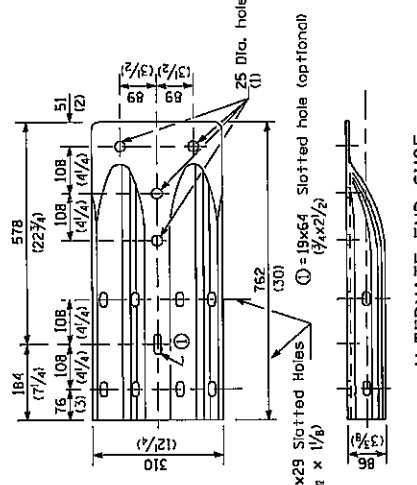
RAIL ELEMENT SPLICE



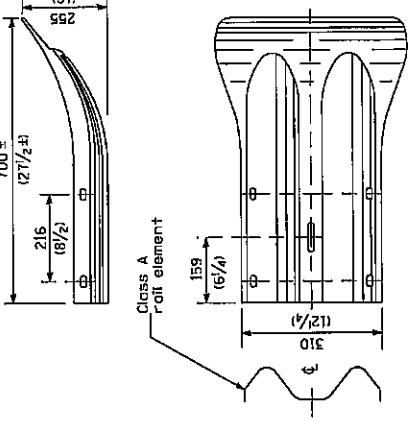
NOTE

When end shoe is attached to a bridge parapet which has an expansion joint, the bolts shall be provided with a locknut or double nut and shall be tightened only to a point that will allow guardrail movement. The standard end shoe shall be attached to the concrete with pre-drilled or self-drilling anchor bolts. The anchor cone shall be set flush with the surface of the concrete. Externally threaded studs protruding from the surface of the concrete will not be permitted.

END SHOE



ALTERNATE END SHOE



END SECTION

STEEL PLATE BEAM GUARDRAIL

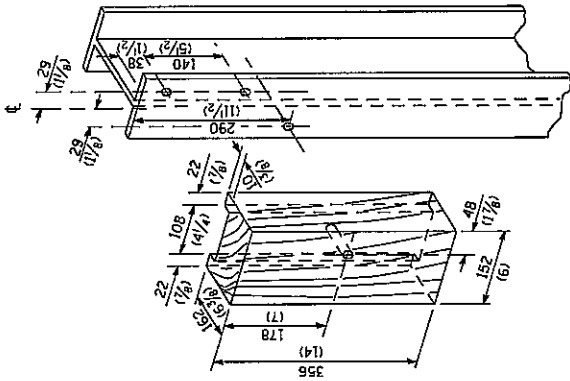
(Sheet 3 of 4)

Effective 2/1/07

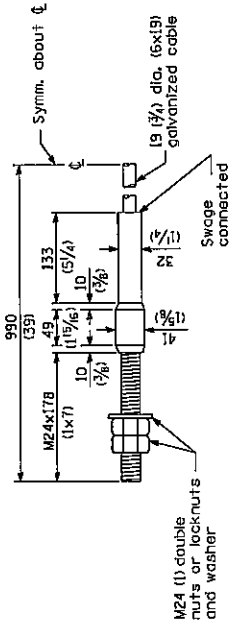
LR SD 630

55C

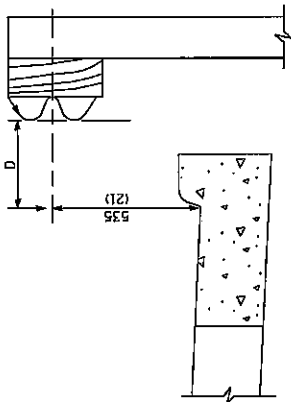
Added 2/16/07



WOOD BLOCK-OUT AND STEEL POST DETAILS

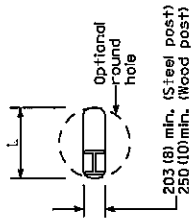


CABLE ASSEMBLY
(18,100 kg (40,000 lbs.) min. breaking strength)
Tighten to taut tension.

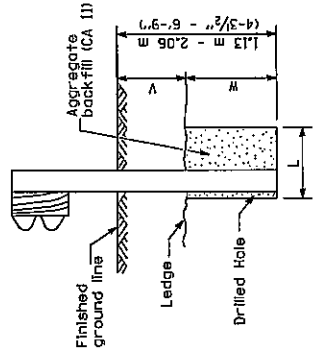


Note: If it is necessary for D to be more than 300 (12) and less than 3.0 m (10'-0") type M-5 (M-2) curb and gutter (Std. 605001) shall be used in front of and in advance of the guard-rail.

GUARDRAIL PLACED BEHIND CURB
(D = 0 desirable to 300 (12) maximum)



PLAN



ELEVATION
Note: Ledge line is top of rock ledge or hard slog fill.

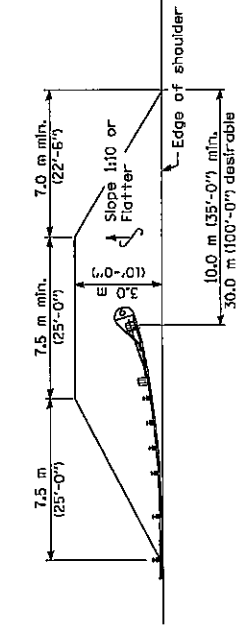
V	W	L	
		Steel Post	Wood Post
0 - 460 (0 - 18)	610 (24)	530 (21)	580 (23)
>460 - 825 (18 - 41.5)	305 (12)	203 (8)	250 (10)
>825 - 1,13 m (>41.5 - 53.5)	305 - 0 (12 - 0)	203 (8)	250 (10)

FOOTING FOR POST WHEN IMPERVIOUS MATERIAL IS ENCOUNTERED

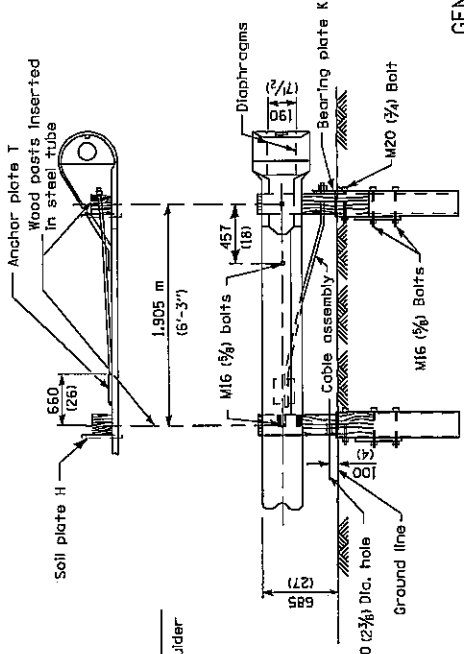
55 D

Added
2/16/07

OFFSETS TO FACE OF RAIL		
Post	X (m) (ft)	Y (m) (ft)
1	1.345 (4.41)	1.22 (4.0)
2	3.475 (11.40)	0.850 (2.79)
3	7.595 (24.92)	0.545 (1.79)
4	6.335 (20.79)	0.360 (1.18)
5	5.070 (16.64)	0.245 (0.80)
6	3.805 (12.49)	0.135 (0.44)
7	1.905 (6.25)	0.035 (0.11)
8	0 (0.0)	0 (0.0)



SHOULDER WIDENING TRANSITION



WOOD BREAKAWAY POSTS

TUBULAR STEEL FOUNDATIONS

GENERAL NOTES

See Standard 63001 for details of guard-rail not shown.

Posts at location 1 & 2 shall be wood breakaway posts. Posts other than 1 & 2 may be either standard wood posts or steel posts, at the option of the Contractor. If standard wood posts are used, one post shall be located midway between end in lieu of posts 4 & 5. The offset (Y) for this post shall be 300 mm (12 inches).

A two-piece assembly may be substituted for the one piece nose shown above.

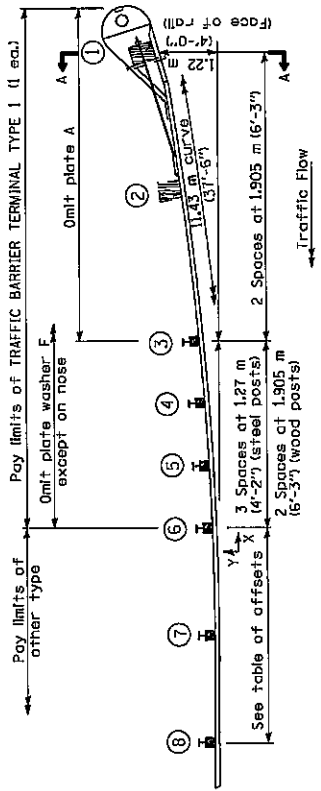
Guard-rail height transition shall be poyed for as Steel Plate Beam Guard-rail.

The bearing plate K shall be held in position by (2) two eightpenny nails driven into the post and bent over the top of the plate.

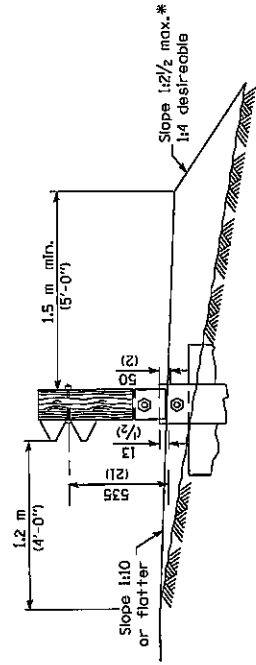
Higher guard-rail shall transition down to the 685 mm (27 inches) height of the Traffic Barrier Terminal Type 1.

All slope ratios are expressed as units of vertical displacement to units of horizontal displacement (V:H).

All dimensions are in millimeters (inches) unless otherwise shown.



PLAN



SECTION A-A

* If fill height exceeds 1.5 m (5'-0") use 1:3 max.

TRAFFIC BARRIER TERMINAL

(Sheet 1 of 4)

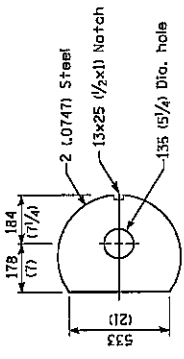
LR SD 631

Effective 1/1/07
Revised 2/1/07

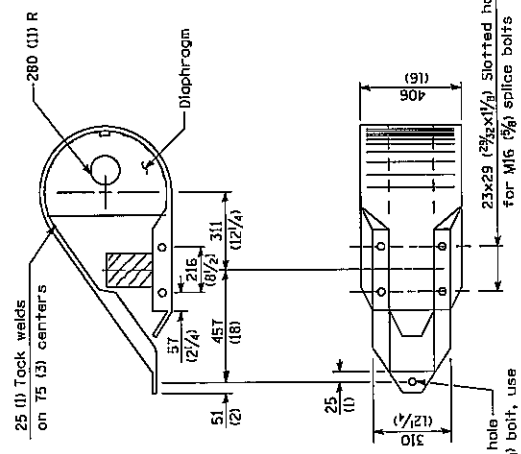
55 E

Added
2/16/07

TYPE 1



DIAPHRAGM
(2 ea.)



NOSE
(1 ea.)

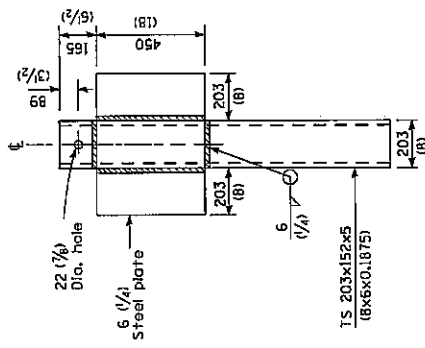
20 (3/4) Dia. hole for M5 (3/16) bolt, use plate Washer F under head and nut of this bolt only.

All dimensions are in millimeters (inches) unless otherwise shown.

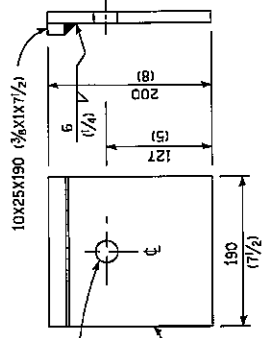
TRAFFIC BARRIER
TERMINAL
(Sheet 2 of 4)

LR SD 631

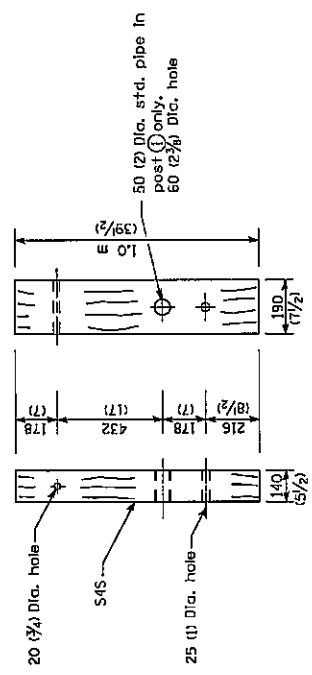
Effective 11/07
Revised 2/1/07



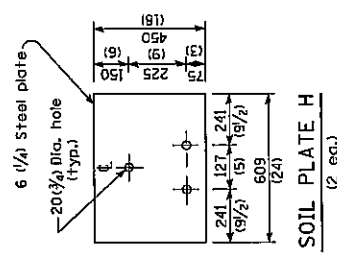
ALTERNATE SOIL
PLATE CONNECTION



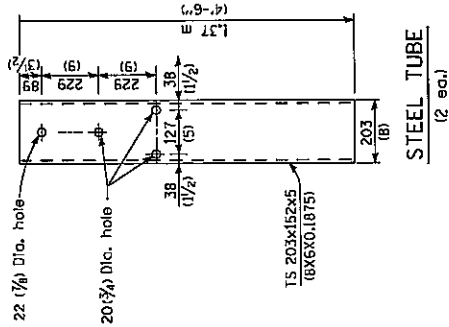
BEARING PLATE K
(1 ea.)



WOOD BREAKAWAY POST
(2 ea.)



SOIL PLATE H
(2 ea.)



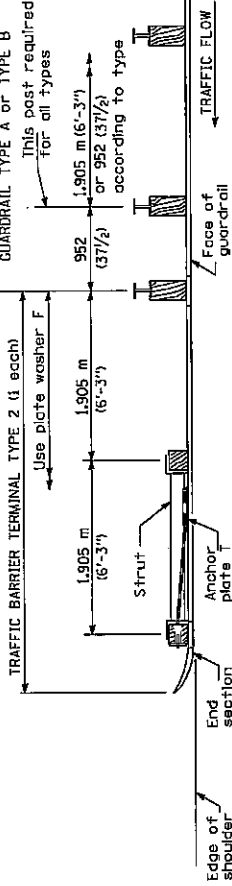
STEEL TUBE
(2 ea.)

55F

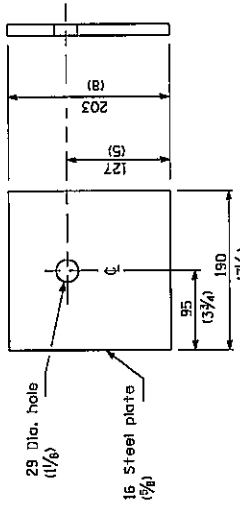
Added
2/16/07

TYPE 2

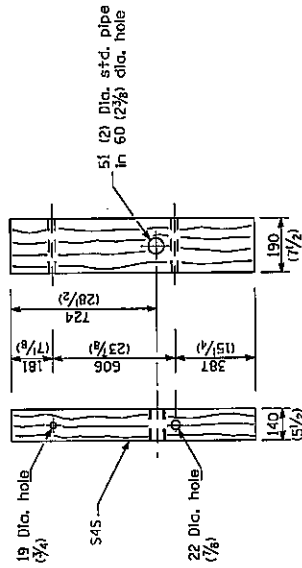
TRAFFIC BARRIER TERMINAL TYPE 2 (1 each)
 GUARDRAIL TYPE A or TYPE B



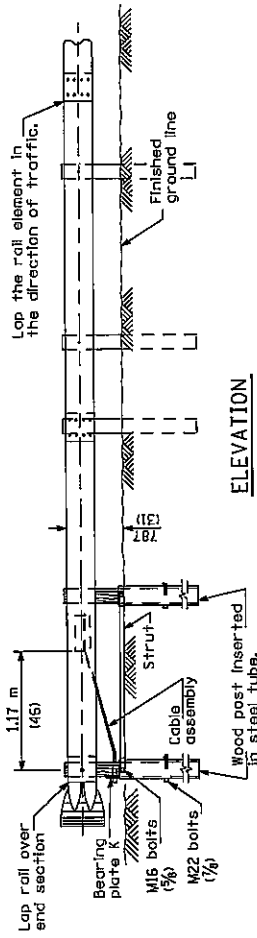
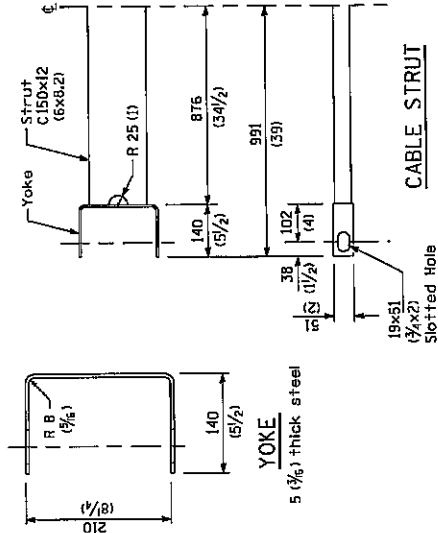
PLAN



BEARING PLATE K



WOOD POST



ELEVATION

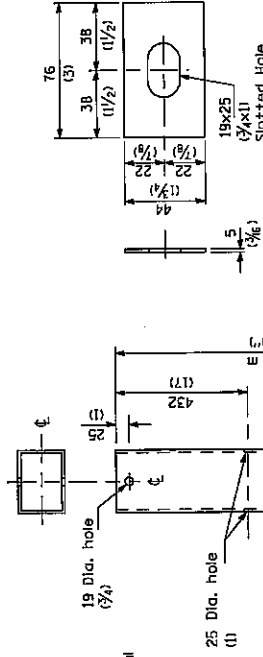
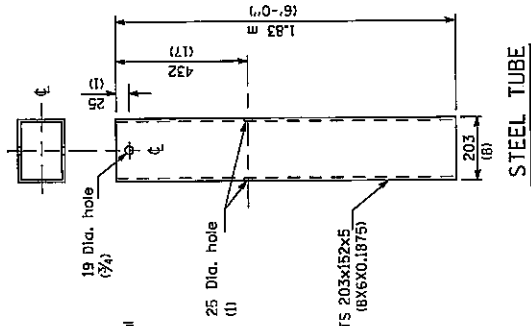


PLATE WASHER F



STEEL TUBE

GENERAL NOTES

See Standard 630001 for details of guard-rail not shown.

The bearing plate K shall be held in position by (2) two eight penny nails driven into the post and bent over the top of the plate.

All dimensions are in millimeters (inches) unless otherwise shown.

TRAFFIC BARRIER TERMINAL

(Sheet 3 of 4)

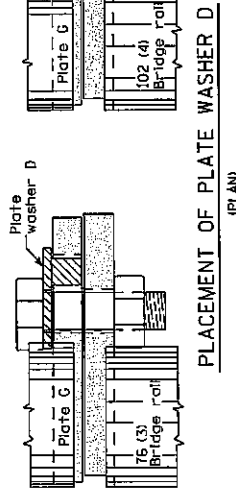
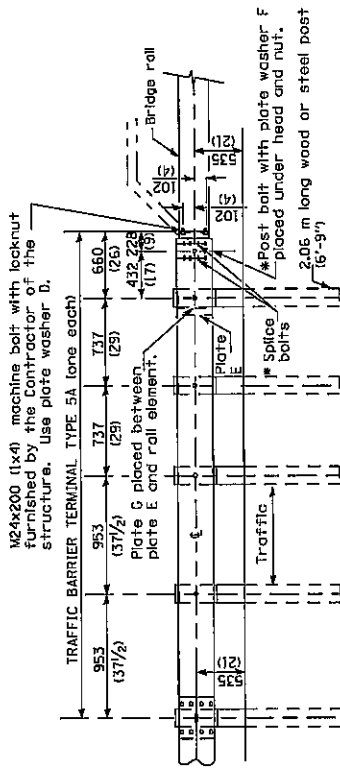
LR SD 631

Effective 1/1/07
 Revised 2/1/07

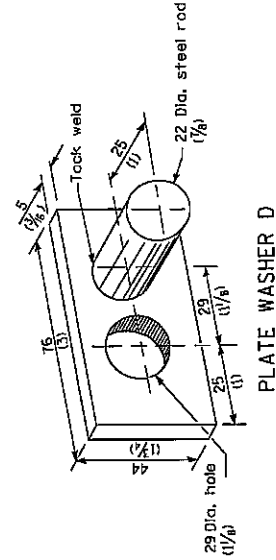
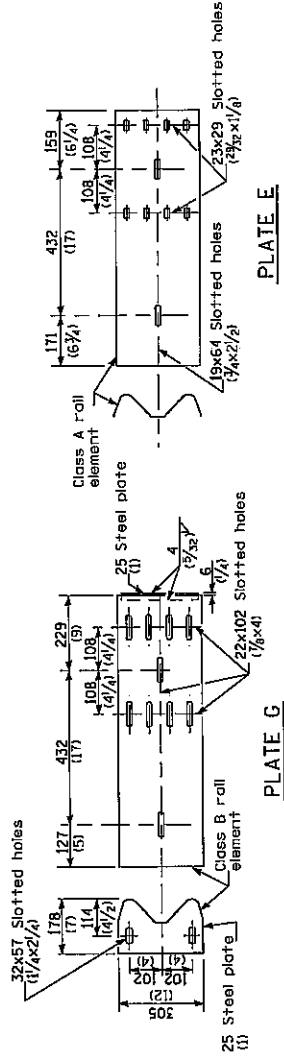
55G

Added
 2/16/07

TYPE 5A



TYPE 5A - STEEL BRIDGE RAIL



GENERAL NOTES

Install plate washer D so that the 25 mm (1") projection fills the remainder of the slotted holes in the 25 mm (1") and plate on plate G after the M24 (1") dia. bolts are in place.

* Bolts shall be provided with locknut or double nut and shall be tight. Only the bolts shall allow plate G to be free to move when an expansion joint exists below the connector.

Higher guardrail shall transition down to the 605 mm (27 inches) height of the Traffic Barrier Terminal Type 5A. Guardrail height transition shall be payed for as Steel Plate Beam Guardrail.

The face of the guardrail shall be installed flush with the face of the bridge rail. See Standard 63000 for details of guardrail not shown.

All dimensions are in millimeters (inches) unless otherwise shown.

TRAFFIC BARRIER TERMINAL

LR SD 631

Effective 1/1/07
Revised 2/1/07

Added
2/16/07

SSH