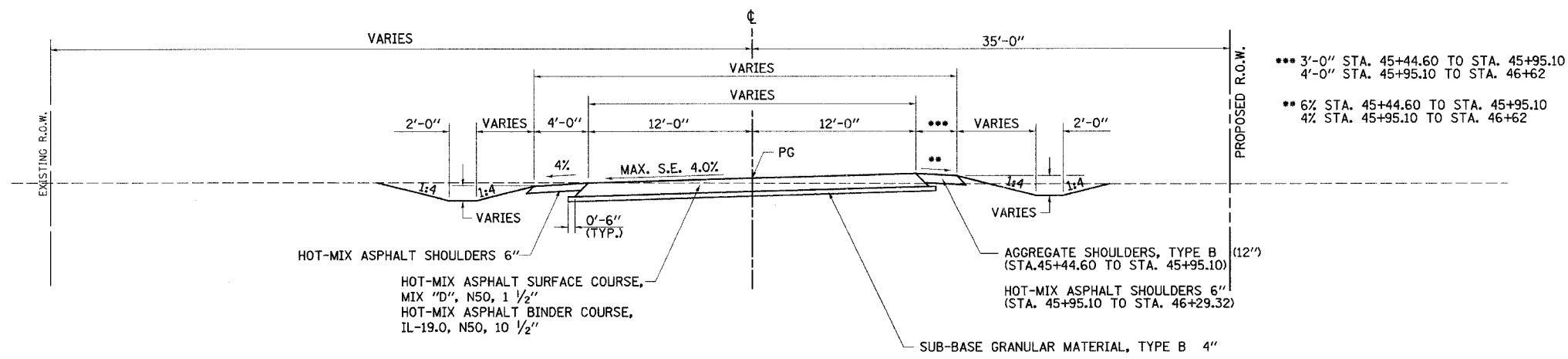


F.A.U. RTE.	SECTION	COUNTY	TOTAL SHEETS	SHEET NO.
7902	***	CHRISTIAN	67	7
STA.	TO STA.			
FED. ROAD DIST. NO.	ILLINOIS	FED. AID PROJECT		
*** 03-00055-00-PP				

DESIGN		
INT. DATE	REASON	

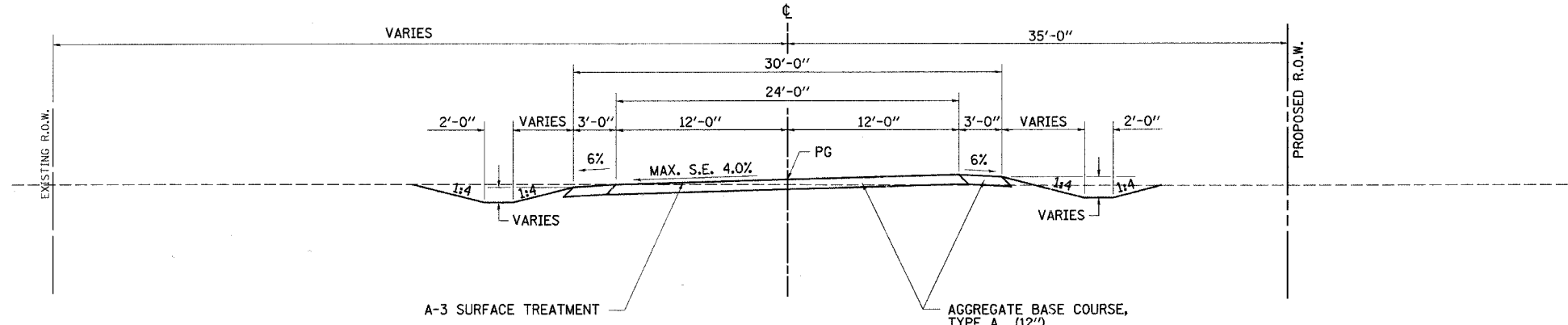


PROPOSED TYPICAL SECTION

EAST SUNSET DRIVE
STA. 45+44.60 TO STA. 46+29.32

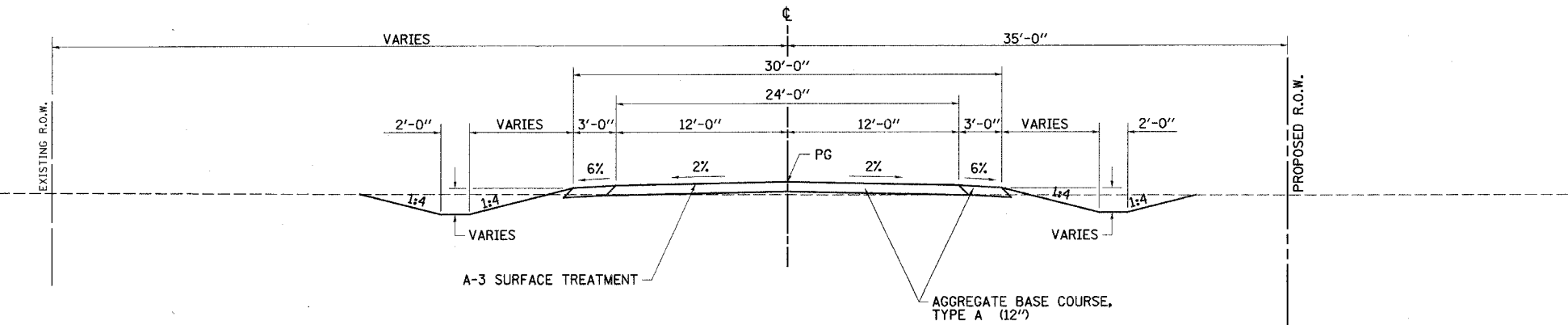
- *** 3'-0" STA. 45+44.60 TO STA. 45+95.10
- 4'-0" STA. 45+95.10 TO STA. 46+62
- ** 6% STA. 45+44.60 TO STA. 45+95.10
- 4% STA. 45+95.10 TO STA. 46+62

PLOTS & CHECKS		
INT. DATE	NO.	REASON



PROPOSED TYPICAL SECTION

EAST SUNSET DRIVE
STA. 41+01 TO STA. 45+44.60



PROPOSED TYPICAL SECTION

EAST SUNSET DRIVE
STA. 40+14 TO STA. 41+01

FILE NAME = J:\0259\DRAWINGS\TYPSEC\G01
 PLOT SCALE = 30000.00
 PLOT DATE = 10/15/06 AM
 OPERATOR = gregm

CHECKS		
INT. DATE	REASON	

REVISIONS	
NAME	DATE
GSJ	6/9/06

ILLINOIS DEPARTMENT OF TRANSPORTATION

TYPICAL SECTIONS

CITY OF TAYLORVILLE
 EAST SUNSET DRIVE
 IMPROVEMENTS

SCALE: VERT. 1" = 5'
 HORIZ. 1" = 5'

DATE 5/29/03

DRAWN BY: SUTHEARD
 DESIGNED BY: COLBROOK
 CHECKED BY: COLBROOK

GREENE & BRADFORD, INC.
 OF SPANDEX

COMPUTER FILE NO.
 TYPSEC-02

PROJECT 02159
 06/09/06-GSJ