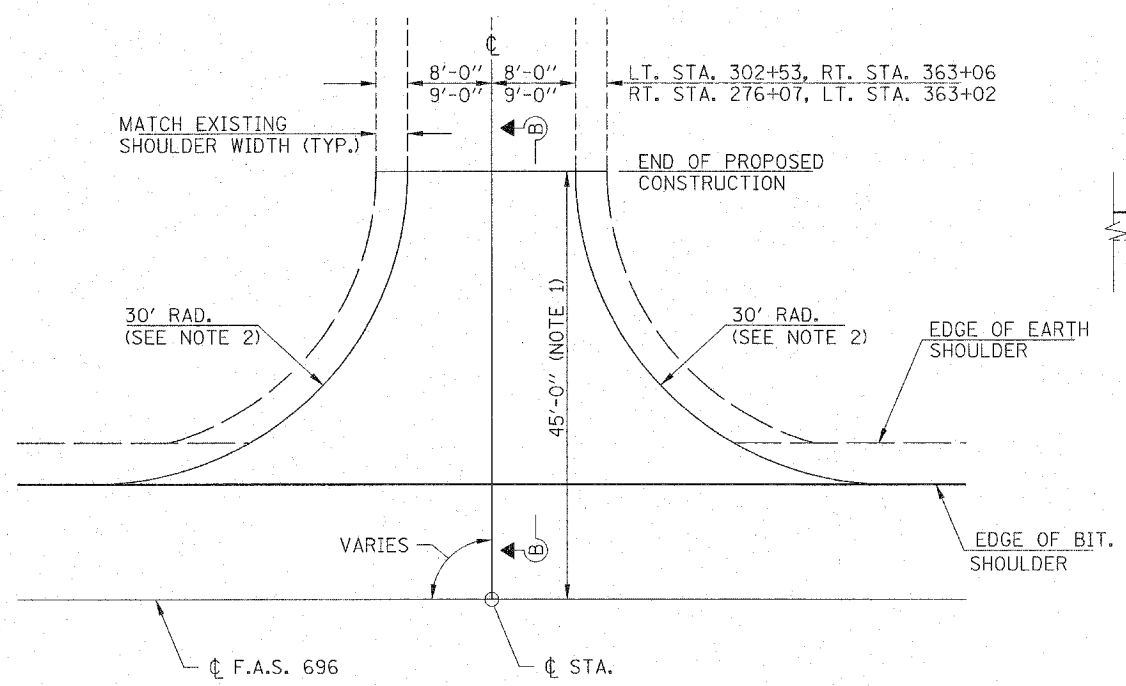


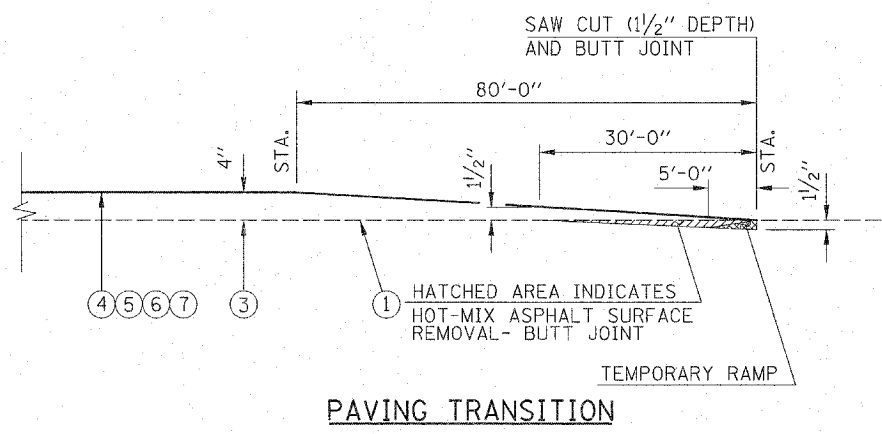
CONTRACT NO. 95487



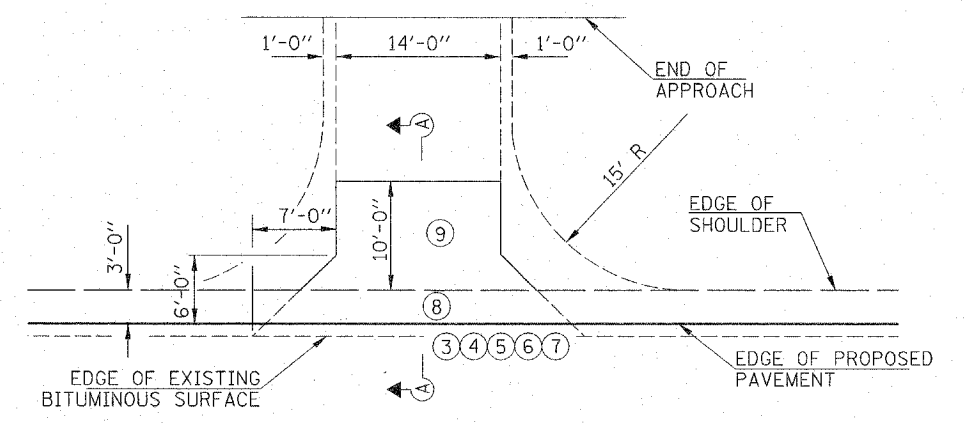
SIDE ROAD DETAIL - RECONSTRUCTION

RT. ϕ STA. 276+07
 LT. ϕ STA. 302+53
 LT. ϕ STA. 363+02
 RT. ϕ STA. 363+06

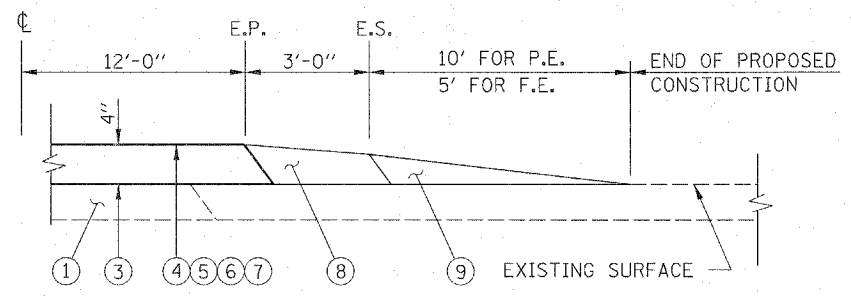
NOTE 1: CONSTRUCTION LENGTH = 80' AT SIDE ROAD LT. STA. 302+53
 NOTE 2: 60' RADIUS AT NORTHEAST CORNER AND 45' RADIUS AT SOUTHEAST CORNER OF SIDE ROAD LT. STA. 302+53



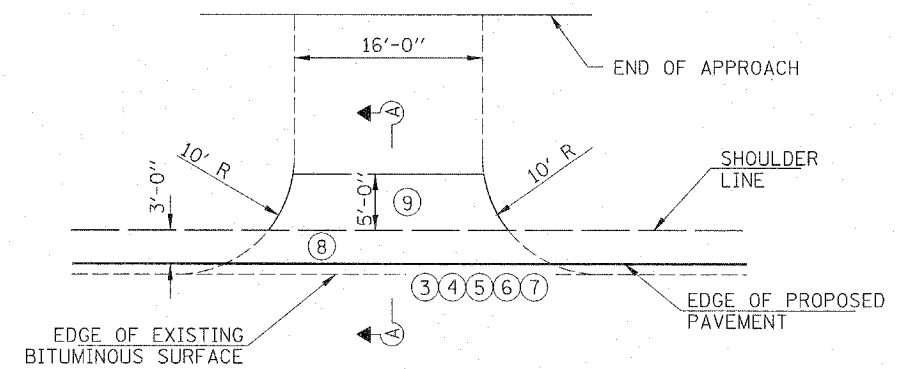
PAVING TRANSITION



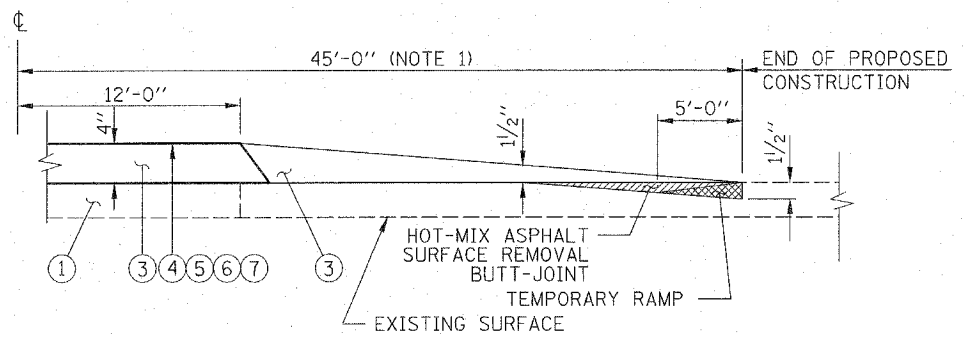
PRIVATE ENTRANCE DETAIL



SECTION A-A



FIELD ENTRANCE DETAIL



SECTION B-B

LEGEND

- ① EXISTING BITUMINOUS SURFACE
- ② EARTH SHOULDER
- ③ BITUMINOUS MATERIALS (ROAD MIX) 4"
- ④ BITUMINOUS MATERIALS (COVER COAT)
- ⑤ BITUMINOUS MATERIALS (SEAL COAT)
- ⑥ COVER COAT AGGREGATE
- ⑦ SEAL COAT AGGREGATE
- ⑧ AGGREGATE SHOULDERS, TYPE B
- ⑨ AGGREGATE SURFACE COURSE, TYPE B

HAMPTON, LENZINI & RENWICK, INC.
 CIVIL & STRUCTURAL ENGINEERS

3085 STEVENSON DRIVE, SUITE 201
 SPRINGFIELD, ILLINOIS 62793
 (217) 546-3400

ELGIN • SPRINGFIELD

PROJECT NUMBER: 03-23-0007-1 DATE: 09/08/06
 DESIGNED: L.F.S. CHECKED: S.W.M. DRAWN: W.J.S.

SPECIAL DETAILS
 SECTION 08-00262-00-RS
 F.A.S. 696
 CLARK COUNTY