

DETAIL OF PRECAST CONCRETE BOX CULVERT END SECTION

F.A. RTE.	SECTION	COUNTY	TOTAL SHEETS	SHEET NO.
03-00017-00-BT	MADISON	ILLINOIS	19	11
MADISON COUNTY ILLINOIS			FED. AID PROJECT	
CONTRACT No. 97286				

GENERAL NOTES

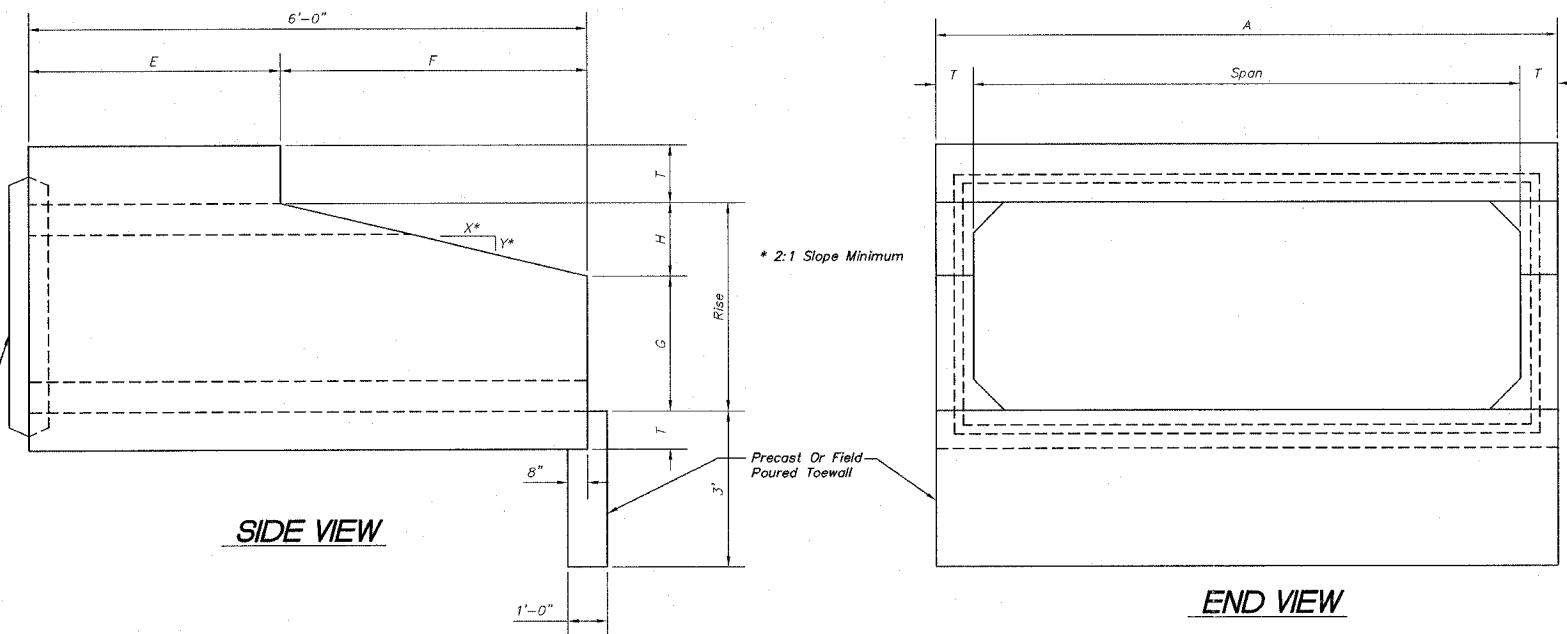
Shop plans for the reinforcement shall be submitted in accordance with the requirements of Article 505.04 (A) of the Standard Specifications.

Minimum concrete strength shall be 5000 PSI after 28 days.

The joints of the precast box sections shall be sealed with mastic in accordance with Article 718.11 of the Standard Specifications for road and bridge construction.

The terms AS1, AS2, AS3 AND AS4 denotes the required steel areas for reinforcements as specified in ASTM C 789. Reinforcement shall be welded wire fabric conforming to ASTM Specifications A 185.

Span X Rise	T (inches)	A (ft.-in.)	B (ft.-in.)	C (inches)	E (ft.-in.)	F (ft.-in.)	G (ft.-in.)	H (ft.-in.)	Slope (X:Y)
2' X 2'	4	2-8	2-8	4	3-0	3-0	1-0	1-0	3:1
3' X 2'	4	3-8	2-8	4	3-0	3-0	1-0	1-0	3:1
3' X 3'	4	3-8	3-8	4	2-0	4-0	1-8	1-4	3:1
4' X 2'	5	4-10	2-10	5	3-0	3-0	1-0	1-0	3:1
4' X 3'	5	4-10	3-10	5	2-0	4-0	1-8	1-4	3:1
4' X 4'	5	4-10	4-10	5	2-0	4-0	2-0	2-0	2:1
5' X 2'	6	6-0	3-0	6	3-0	3-0	1-0	1-0	3:1
5' X 3'	6	6-0	4-0	6	2-0	4-0	1-8	1-4	3:1
5' X 4'	6	6-0	5-0	6	2-0	4-0	2-0	2-0	2:1
5' X 5'	6	6-0	6-0	6					
6' X 2'	7	7-2	3-2	7	3-0	3-0	1-0	1-0	3:1
6' X 3'	7	7-2	4-2	7	2-0	4-0	1-8	1-4	3:1
6' X 4'	7	7-2	5-2	7	2-0	4-0	2-0	2-0	2:1
6' X 5'	7	7-2	6-2	7					
6' X 6'	7	7-2	7-2	7					
7' X 4'	8	8-4	5-4	8	2-0	4-0	2-0	2-0	2:1
7' X 5'	8	8-4	6-4	8					
7' X 6'	8	8-4	7-4	8					
7' X 7'	8	8-4	8-4	8					
8' X 4'	8	9-4	5-4	8	2-0	4-0	2-0	2-0	2:1
8' X 5'	8	9-4	6-4	8					
8' X 6'	8	9-4	7-4	8					
8' X 7'	8	9-4	8-4	8					
8' X 8'	8	9-4	9-4	8					
9' X 5'	9	10-6	10-6	9					
9' X 6'	9	10-6	7-6	9					
9' X 7'	9	10-6	8-6	9					
9' X 8'	9	10-6	9-6	9					
9' X 9'	9	10-6	10-6	9					
10' X 5'	10	11-8	6-8	10					
10' X 6'	10	11-8	7-8	10					
10' X 7'	10	11-8	8-8	10					
10' X 8'	10	11-8	9-8	10					
10' X 9'	10	11-8	10-8	10					
10' X 10'	10	11-8	11-8	10					
11' X 4'	11	12-10	5-10	11					
11' X 6'	11	12-10	7-10	11					
11' X 8'	11	12-10	9-10	11					
11' X 10'	11	12-10	11-10	11					
11' X 11'	11	12-10	12-10	11					
12' X 4'	12	14-0	6-0	12	2-0	4-0	2-8	1-4	3:1
12' X 6'	12	14-0	8-0	12	2-0	4-0	3-8	1-4	3:1
12' X 8'	12	14-0	10-0	12	2-0	4-0	4-8	1-4	3:1
12' X 10'	12	14-0	12-0	12					
12' X 12'	12	14-0	14-0	12					

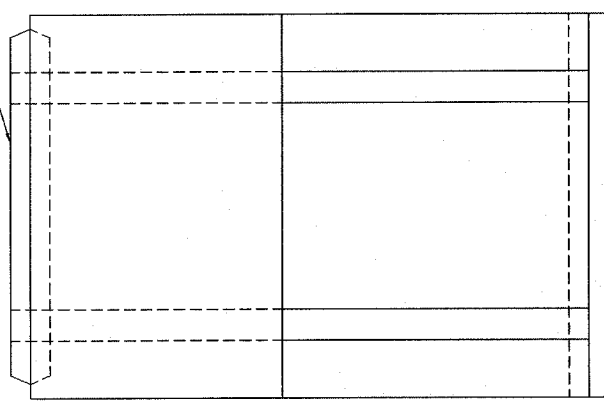


SIDE VIEW

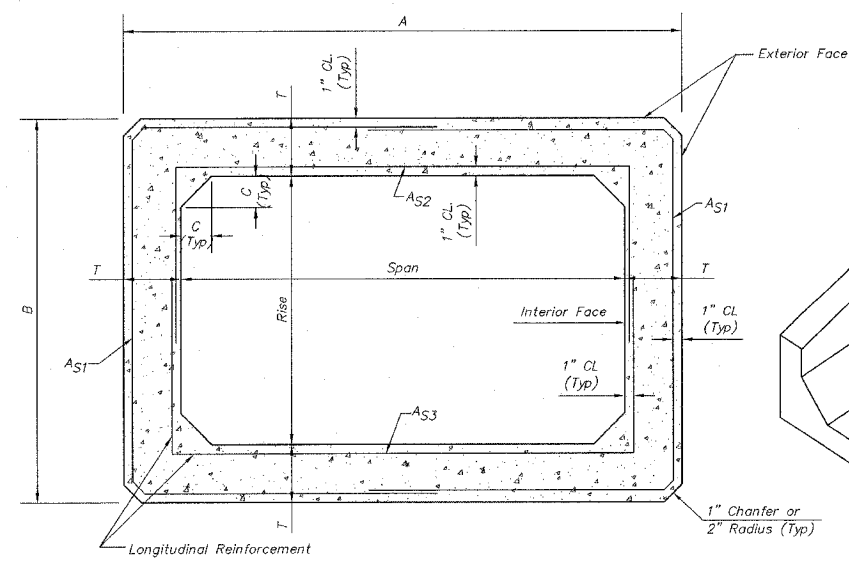
END VIEW

* NOTE: The dimensions indicated are for end sections that are to be used with precast box culvert sections designed for 2' or more of fill. The dimensions must be modified for the end section to be compatible with precast culvert sections designed for less than 2' of fill.

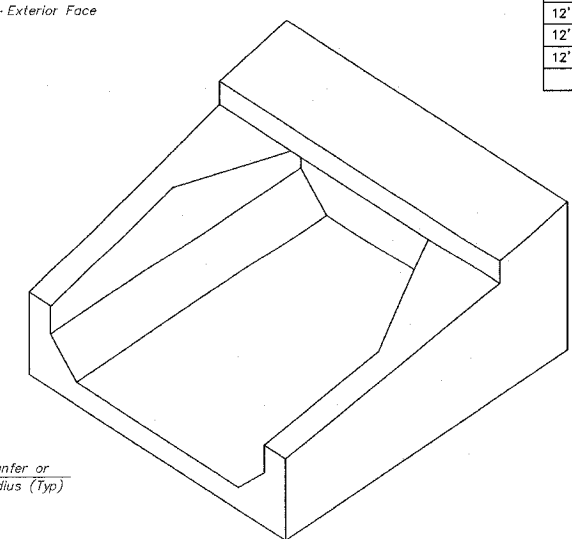
End Connection To Fit Precast Box Culvert (Bell Or Spigot May Be Omitted When Collaring To An Existing Box To Headwall)



PLAN



CROSS SECTION



ISOMETRIC VIEW

Revisions	
Name	Date

ILLINOIS DEPARTMENT OF TRANSPORTATION
VILLAGE OF GODFREY, ILLINOIS
LAVISTA PARK NATURE TRAIL IMPROVEMENTS
GODFREY SECTION 03-00017-00-BT
BOX CULVERTS DETAILS

I:\projects\godfrey\pdr_4361\0\eng\civil\del2.dwg, 12/22/2008 11:38:27 AM, crriff, 1:10