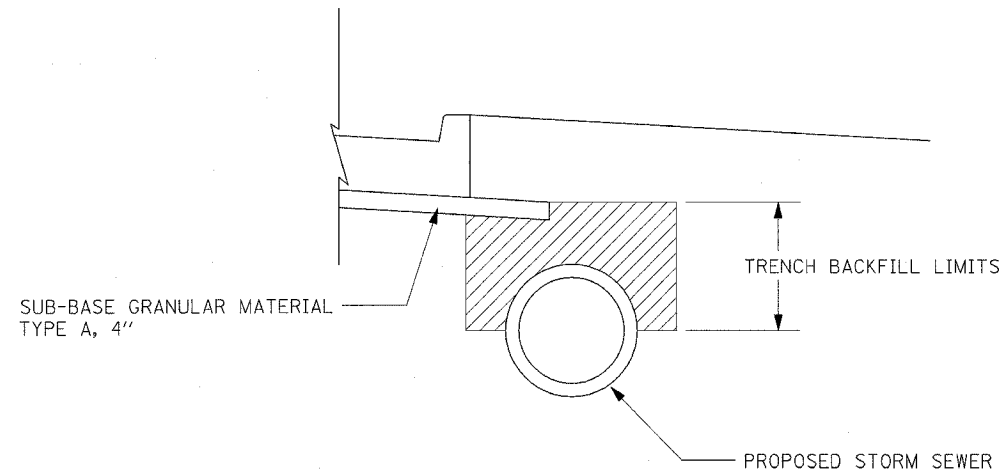
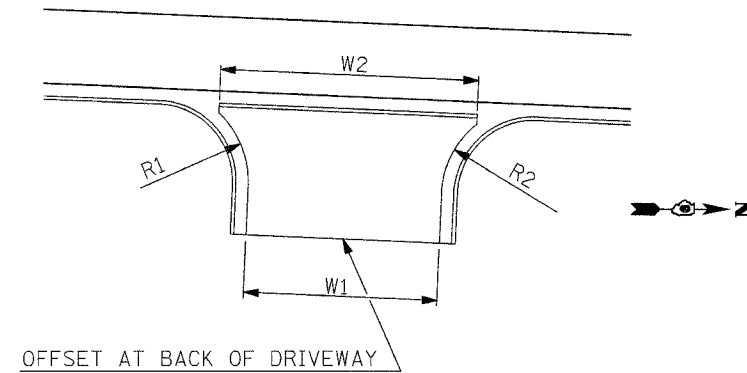


F.A. RTE.	SECTION	COUNTY	TOTAL SHEETS	SHEET NO.
132	(42x)I-3	SALINE	46	19
STA.	TO STA.			
FED. ROAD DIST. NO.	ILLINOIS	FED. AID PROJECT		

TRENCH BACKFILL LIMITS



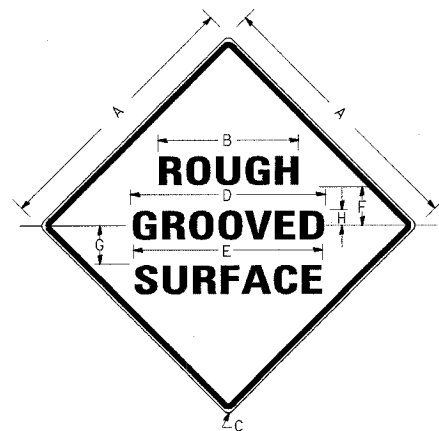
ENTRANCE DETAILS



ENTRANCE	DESCRIPTION	C.L. STATION	SKEW ANGLE (DEG)	BACK OF DRIVEWAY OFFSET	W1	W2	R1	R2
1	Med. Shop	11+27.14	0	54.16	36.81	42.19	15	15
2	O'Reilly	12+62.48	0	51.42	34.17	44.80	20	18
3	O'Reilly	13+30.37	0	50.38	33.17	40.49	18	15
4	Buddy Pool	13+79.32	9.05 RA	43.64	27.13	28.92	15	10
5	Oral St.	17+91.61	0	51.53	24.86	46.38	20	20
6	P. Lot	18+55.84	0	46.18	40.22	45.01	15	15
7	P. Lot	19+40.40	0	48.85	35.17	40.54	15	15
8	Cecil St.	20+25.40	0	45.00	23.47	49.13	20	20
9	Michelin tire	20+97.87	0	46.00	40.17	45.54	15	15
10	Quick cash/State farm	22+57.59	0	46.00	21.17	26.54	15	15

ILLINOIS STANDARD

W8-I106



COLORS:

LEGEND AND BORDER- BLACK NON-REFLECTORIZED
BACKGROUND- ORANGE REFLECTORIZED

SIGN SIZE	DIMENSIONS							
	A	B	C	D	E	F	G	H
48X48	48.0	24.1	3.0	34.0	33.0	6.0	13.0	3.5

SIGN SIZE	SERIES LINES			MARGIN	BORDER	BLANK STD.
	1	2	3			
48X48	7C	7C	7C	0.8	1.2	B4-48D

ALL DIMENSIONS IN INCHES

NOTES:

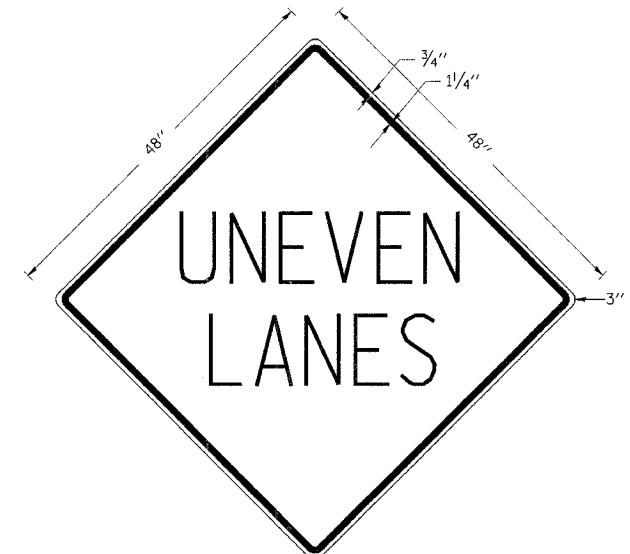
PRIOR TO ALLOWING TRAFFIC ON ANY PORTION OF THE ROADWAY THAT HAS BEEN COLDMILLED, THE CONTRACTOR SHALL HAVE ERECTED "ROUGH GROOVED SURFACE" SIGNS THAT CONFORM TO THE ABOVE DETAILS. A MINIMUM OF ONE SIGN AT EACH END OF THE IMPROVEMENT WILL BE REQUIRED. THE CONTRACTOR SHALL MAINTAIN THE "ROUGH GROOVED SURFACE" SIGNS UNTIL THE COLDMILLED SURFACE IS COVERED WITH LEVELING BINDER OR SURFACE COURSE.

IF AT ANY TIME THE SIGNS ARE IN PLACE BUT NOT APPLICABLE, THEY SHALL BE TURNED FROM THE VIEW OF MOTORISTS OR COVERED AS DIRECTED BY THE ENGINEER.

THE COST OF FURNISHING, ERECTING, MAINTAINING, AND REMOVING THE REQUIRED SIGNS SHALL BE INCLUDED IN THE CONTRACT.

UNEVEN LANES SIGN

W8-11 (48" x 48")



COLORS:

LEGEND AND BORDER - BLACK NON-REFLECTORIZED
BACKGROUND - ORANGE REFLECTORIZED

NOTE: PRIOR TO ALLOWING TRAFFIC ON ANY PORTION OF THE ROADWAY THAT HAS BEEN COLDMILLED OR BEFORE RESURFACING OPERATIONS BEGIN, THE CONTRACTOR SHALL HAVE ERECTED "UNEVEN PAVEMENT" SIGNS THAT CONFORM TO THE ABOVE DETAILS. A MINIMUM OF ONE SIGN AT EACH END OF THE IMPROVEMENT WILL BE REQUIRED. THE CONTRACTOR SHALL MAINTAIN THE "UNEVEN PAVEMENT" SIGNS UNTIL THE RESURFACING OPERATIONS ARE COMPLETED.

IF AT ANY TIME THE SIGNS ARE IN PLACE BUT NOT APPLICABLE, THEY SHALL BE TURNED FROM THE VIEW OF MOTORISTS OR COVERED AS DIRECTED BY THE ENGINEER.

THE COST OF FURNISHING, ERECTING, MAINTAINING, AND REMOVING THE REQUIRED SIGNS SHALL BE INCLUDED IN THE CONTRACT.

PLOT DATE = 11/16/2006
 FILE NAME = c:\projects\98944\98944.dwg
 USER NAME = jrb
 USER NAME = jrb

REVISIONS	
REDRAWN	2-15-89
REVISED	4-6-93
REVISED	
REVISED	

REVISIONS	
DRAWN	2-15-89
REVISED	4-6-93
REVISED	7-23-04
REVISED	