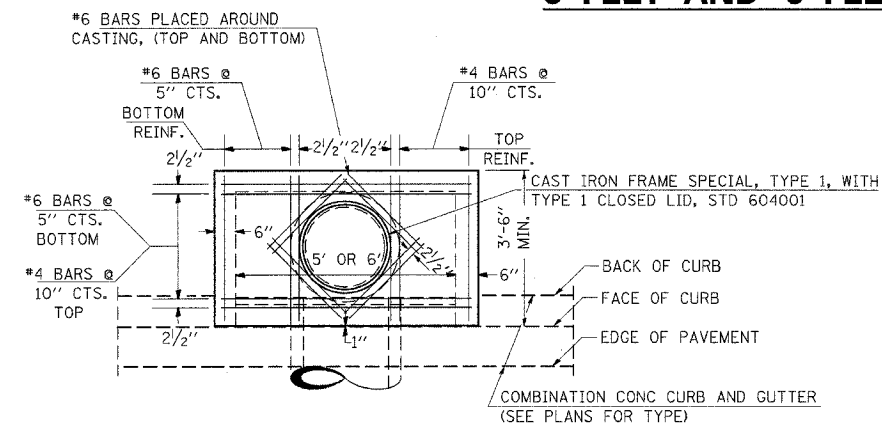
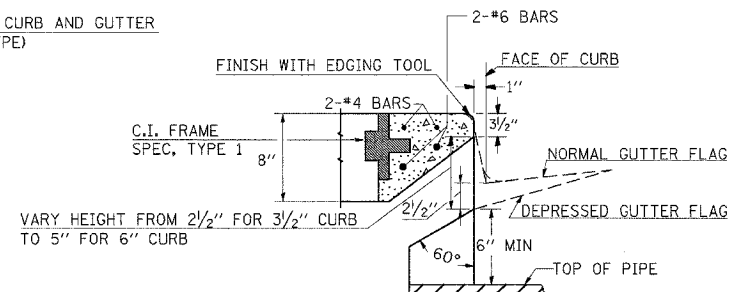


F.A. TYPE	SECTION	COUNTY	TOTAL SHEETS	SHEET NO.
132	(42x)I-3	SALINE	46	21
STA. TO STA.		ILLINOIS FED. AID PROJECT		

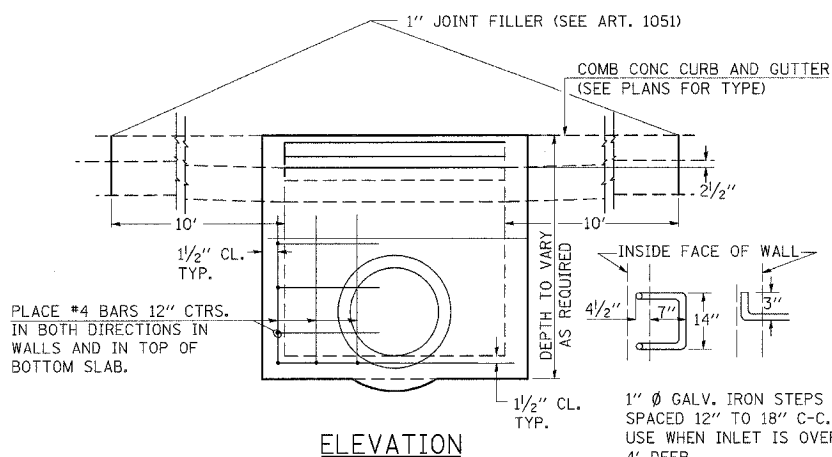
DETAILS OF INLET SPECIAL, TYPE 3, 5 FEET AND 6 FEET



PLAN



SECTION AT WEIR



ELEVATION

DESIGN	PIPE DIA	"D"
A	18" & LESS	2'-6"
B	21" & 24"	3'-0"
C	27" & 30"	3'-7"
D	33" & 36"	4'-2"
E	42"	4'-9"
F	48"	5'-0"
G	54"	6'-1"

NOTES:

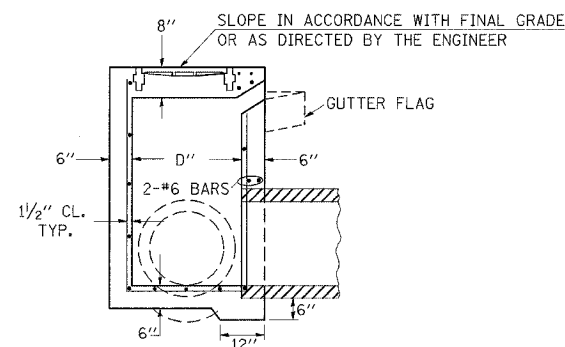
PROVIDE 1/2" CLEARANCE TYP. ALL REINFORCEMENT UNLESS OTHERWISE SPECIFIED.

CLASS SI CONCRETE SHALL BE USED THROUGHOUT. SET FACE OF INLET 1" BEHIND FACE OF CURB. DEPRESS GUTTER FLOWLINE AT INLET 2 1/2" BELOW NORMAL GUTTER FLOWLINE. CONSTRUCT TRANSITION IN FLOWLINE IN 10 FEET EACH SIDE OF INLET. PIPES TO BE CONNECTED TO INLET AS SHOWN ON STORM SEWER LAYOUT.

INLETS WILL BE PAID FOR AT THE CONTRACT UNIT PRICE EACH FOR INLET, SPECIAL, TYPE 3, 5 FEET OR INLET, SPECIAL, TYPE 3, 6 FEET WHICH PRICE SHALL INCLUDE THE CAST IRON FRAME, SPECIAL, TYPE 1 WITH TYPE 1 CLOSED LID, THE REINFORCEMENT BARS, METAL STEPS AND JOINT FILLER.

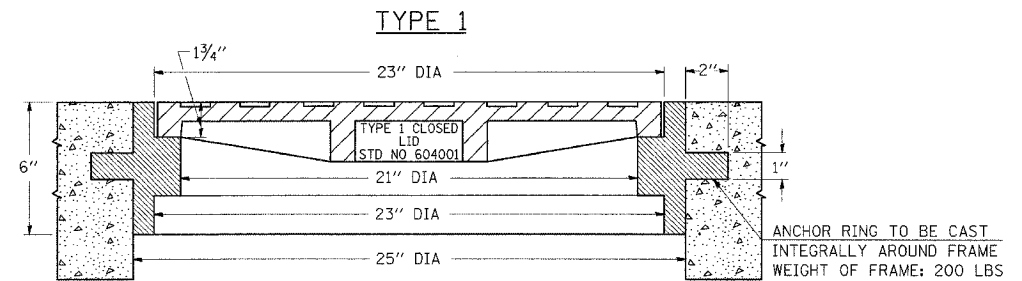
**THE GALVANIZED IRON STEPS AS DETAILED HEREON ARE TYPICAL. STEPS OF OTHER DESIGN AND MATERIAL THAT WILL CONFORM TO THE MINIMUM REQUIREMENTS OF THE STEPS SHOWN, MAY BE USED WHEN APPROVED BY THE ENGINEER.

IF THE INLET IS NOT CAST IN PLACE THEN THE INLET SHALL BE PRODUCED ACCORDING TO THE DEPARTMENT'S CURRENT POLICY MEMORANDUM, "QUALITY CONTROL/QUALITY ASSURANCE PROGRAM FOR PRECAST CONCRETE PRODUCTS".



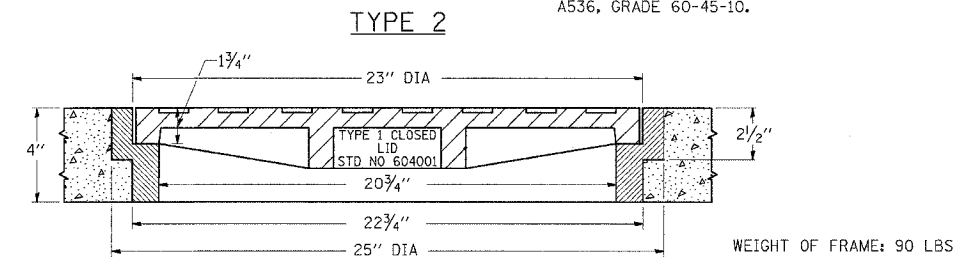
SECTION

DETAILS OF CAST IRON FRAMES SPECIAL TYPE 1 & TYPE 2 WITH TYPE 1 CLOSED LID



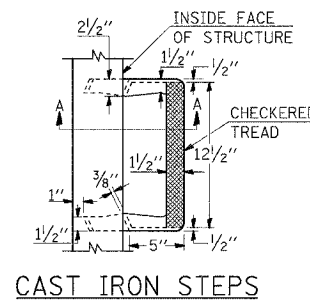
TYPE 1

THE FRAMES MAY BE MADE OF EITHER GRAY IRON CONFORMING TO THE STANDARD SPECIFICATIONS OR DUCTILE IRON CONFORMING TO THE SPECIFICATIONS FOR DUCTILE IRON CASTING, A.S.T.M. DESIGNATION: A536, GRADE 60-45-10.

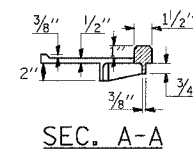


TYPE 2

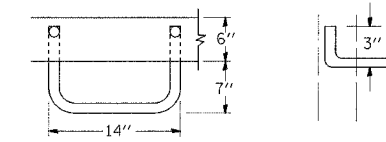
MANHOLES, SPECIAL, TYPE 3



CAST IRON STEPS

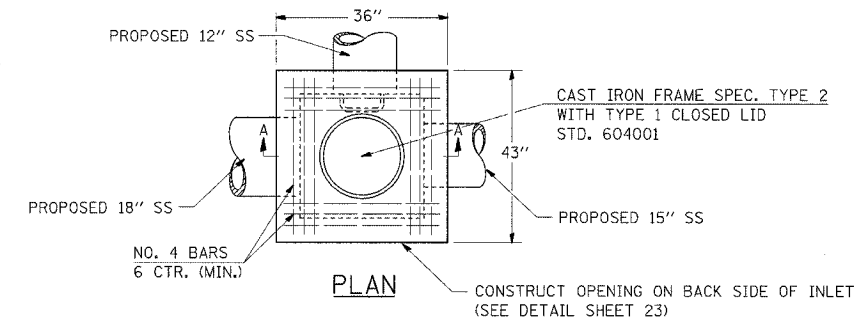


SEC. A-A

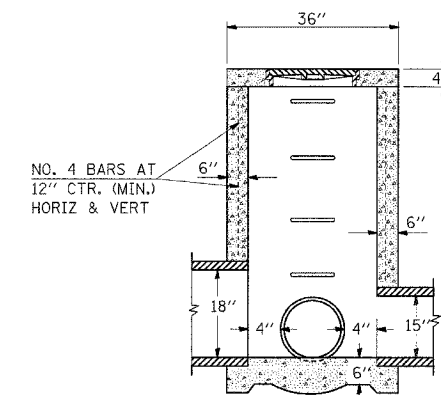


1" ROUND GALVANIZED IRON STEPS 16" O.C.
GALVANIZED IRON STEPS

CAST IRON STEPS SHALL BE GRAY IRON CONFORMING TO THE REQUIREMENTS OF ARTICLE 1006.14 OF THE STANDARD SPECIFICATIONS.



PLAN



SECTION A-A

NOTES

CLASS SI CONCRETE TO BE USED THROUGHOUT.

STEPS WILL BE REQUIRED WHEN INLET IS OVER 4' DEEP.

MANHOLES MAY BE PRECAST WHEN APPROVED BY THE ENGINEER.

MANHOLE TO BE PAID FOR AT THE CONTRACT UNIT PRICE EACH FOR MANHOLES, SPECIAL, TYPE 3 WHICH PRICE SHALL INCLUDE THE COST OF THE CAST IRON FRAME, SPECIAL, TYPE 2 WITH TYPE 1 CLOSED LID; REINFORCEMENT BARS AND CAST IRON OR GALVANIZED STEEL STEPS.

REVISIONS

REVISIONS	2-15-89
REDRAWN	8-15-84
REVISED	1-19-83
REVISED	5-6-04

DATE = 11/16/2005
FILE NAME = I:\PROJECTS\9802305\9802305.dwg
PLOT SCALE = 5.00000 / 1"
USER NAME = mearshp