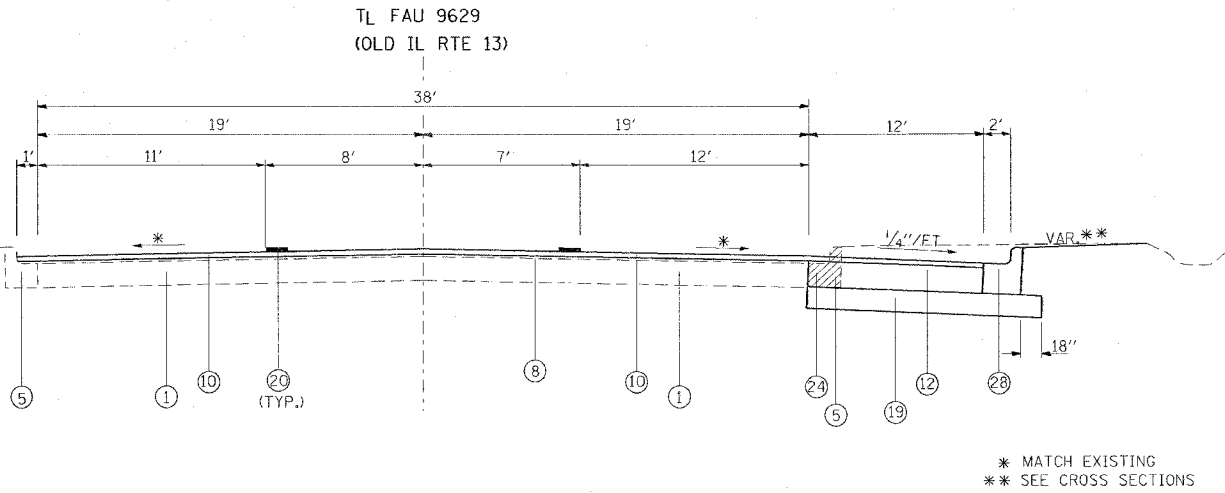


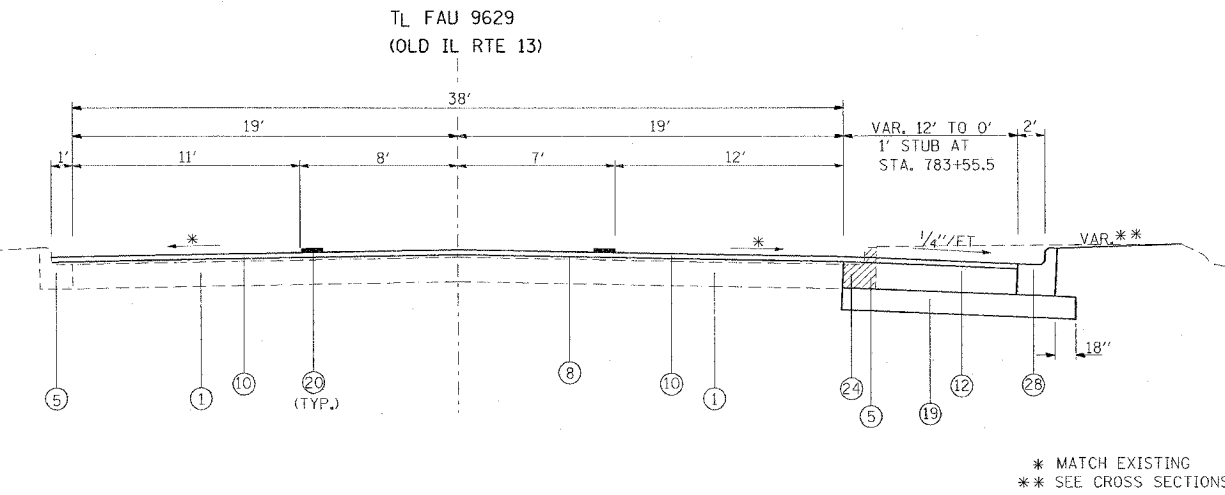
| | | | | |
|--------------------------------|----------|------------------|--------------|-----------|
| F.A. RTE. | SECTION | COUNTY | TOTAL SHEETS | SHEET NO. |
| * | ** | WILLIAMSON | 917 | 94 |
| STA. | | TO STA. | | |
| FED. ROAD DIST. NO. | ILLINOIS | FED. AID PROJECT | | |
| * 1-57, & OLD IL 13 (FAU 9629) | | | | |
| ** (X1-6-2)VB-2,(X1-6)HBK-2 | | | | |



TO BE USED:
STA. 777+70 TO STA. 779+55

* MATCH EXISTING
** SEE CROSS SECTIONS

- 1 EXISTING CONCRETE PAVEMENT, 10"
- 2 EXISTING BITUMINOUS SHOULDERS 6"
- 3 EXISTING AGGREGATE BASE COURSE, 4"
- 4 EXISTING SUB-BASE GRANULAR MATERIAL TYPE A 4"
- 5 EXISTING COMBINATION CONCRETE CURB AND GUTTER
- 6 EXISTING SOLID CONCRETE MEDIAN
- 7 EXISTING AGGREGATE SHOULDER
- 8 EXISTING BITUMINOUS RESURFACING
- 9 EXISTING BITUMINOUS MEDIAN SURFACE, 1 1/2"
- 10 POLYMERIZED BITUMINOUS CONCRETE SURFACE COURSE, SUPERPAVE, MIX "D", N105, 1 1/2"
- 11 POLYMERIZED BITUMINOUS CONCRETE BINDER COURSE, SUPERPAVE, IL-19.0, N105, 9 1/2"
- 12 POLYMERIZED BITUMINOUS CONCRETE BINDER COURSE, SUPERPAVE, IL-19.0, N105, 8 1/2"
- 13
- 14 SUB-BASE GRANULAR MATERIAL, TYPE A 6"
- 15 AGGREGATE SHOULDERS, TYPE B (WEDGE)
- 16 BITUMINOUS SHOULDERS SUPERPAVE
- 17 BITUMINOUS SHOULDERS SUPERPAVE 9 1/2"
- 18 BITUMINOUS SHOULDERS SUPERPAVE 8 1/2"
- 19 PROCESSING LIME MODIFIED SOILS 12"
- 20 THERMOPLASTIC PAVEMENT MARKING - LINE 4"
- 21 PORTLAND CEMENT CONCRETE PAVEMENT 10" (JOINTED)
- 22 PORTLAND CEMENT CONCRETE SIDEWALK 5 INCH
- 23 PAVEMENT REMOVAL
- 24 COMBINATION CURB AND GUTTER REMOVAL
- 25 MEDIAN REMOVAL
- 26 PAVED SHOULDER REMOVAL
- 27 COMBINATION CONCRETE CURB AND GUTTER, TYPE B-6.06
- 28 COMBINATION CONCRETE CURB AND GUTTER, TYPE B-6.24
- 29 CONCRETE MEDIAN SURFACE, 4 INCH
- 30 CONCRETE MEDIAN (SPECIAL)
- 31
- 32 SLOPE WALL 4 INCH (SEE BRIDGE PLANS)
- 33 BITUMINOUS SHOULDERS SUPERPAVE 8"
- 34 CORRUGATED MEDIAN REMOVAL
- 35 BITUMINOUS CONCRETE BINDER COURSE, SUPERPAVE, IL-19.0, N90
- 36 PORTLAND CEMENT CONCRETE PAVEMENT 8" (JOINTED)



TO BE USED:
STA. 779+55 TO STA. 785+23

* MATCH EXISTING
** SEE CROSS SECTIONS

PLOT DATE = 11/20/2006
FILE NAME = c:\pp\p14574\9802802\ad13\old13.dgn
PLOT SCALE = 50.0000 / 1" / IN.
USER NAME = hudson

SHEET 12 OF 12

| REVISIONS | |
|-----------|------|
| NAME | DATE |
| | |
| | |
| | |
| | |
| | |
| | |
| | |
| | |
| | |

ILLINOIS DEPARTMENT OF TRANSPORTATION

**OLD IL 13
TYPICAL SECTIONS**

SCALE: VERT. NONE
HORIZ. DATE DRAWN BY CNH
CHECKED BY