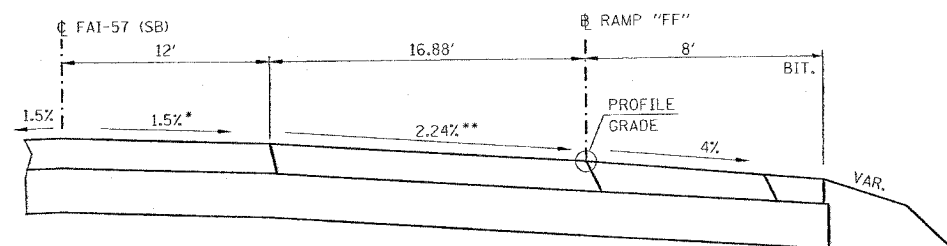
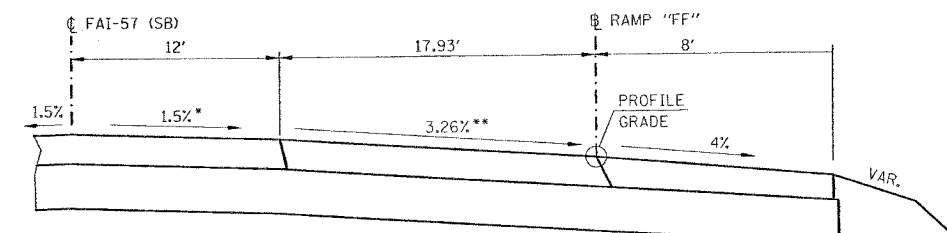


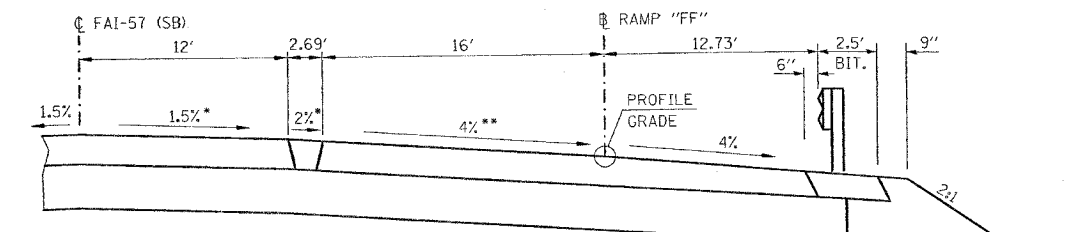
F.A. RTE.	SECTION	COUNTY	TOTAL SHEETS	SHEET NO.
*	**	WILLIAMSON	917	728
STA.		TO STA.		
FED. ROAD DIST. NO.		ILLINOIS	FED. AID PROJECT	
* I-57, & OLD IL 13 (FAU 9629)				
** (X1-6-2)VB-2, (X1-6)HBK-2				



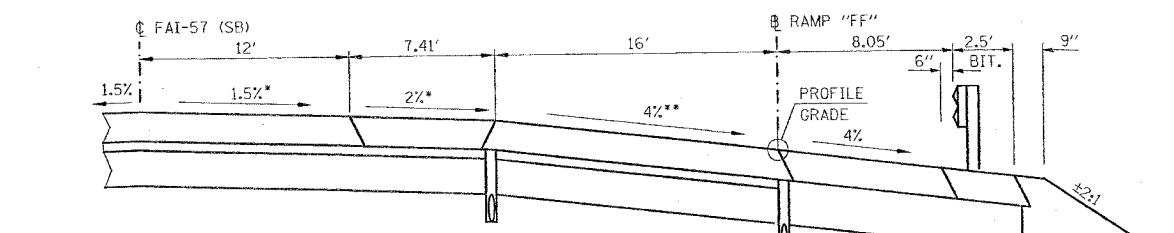
**RAMP "FF", SECTION D-D**  
 STA. 13+22.96, RAMP "FF"  
 (STA. 1532+02.58, FAI-57 SEE DIAGRAM, THIS SHEET)



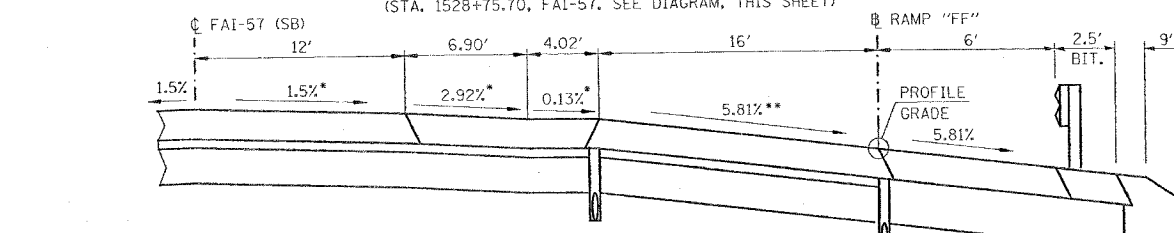
**RAMP "FF", SECTION C2-C2**  
 STA. 12+70.25, RAMP "FF"  
 (STA. 1531+49.86, FAI-57 SEE DIAGRAM, THIS SHEET)



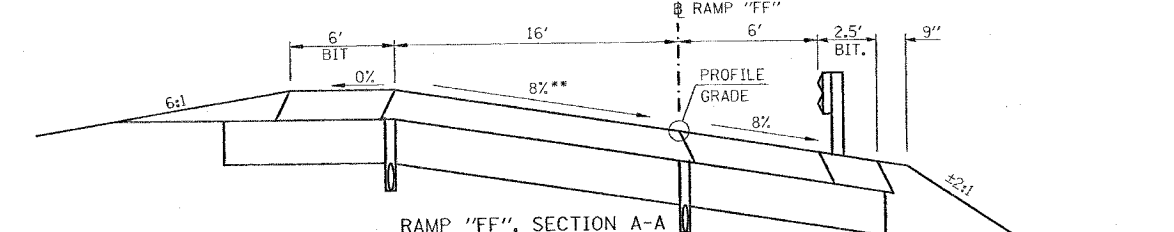
**RAMP "FF", SECTION C1-C1**  
 STA. 12+32.00, RAMP "FF"  
 (STA. 1531+11.66, FAI-57 SEE DIAGRAM, THIS SHEET)



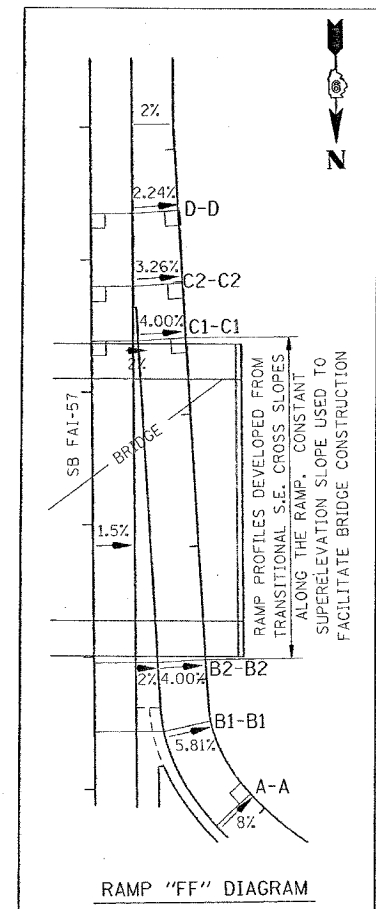
**RAMP "FF", SECTION B2-B2**  
 STA. 9+96.00, RAMP "FF"  
 (STA. 1528+75.70, FAI-57. SEE DIAGRAM, THIS SHEET)



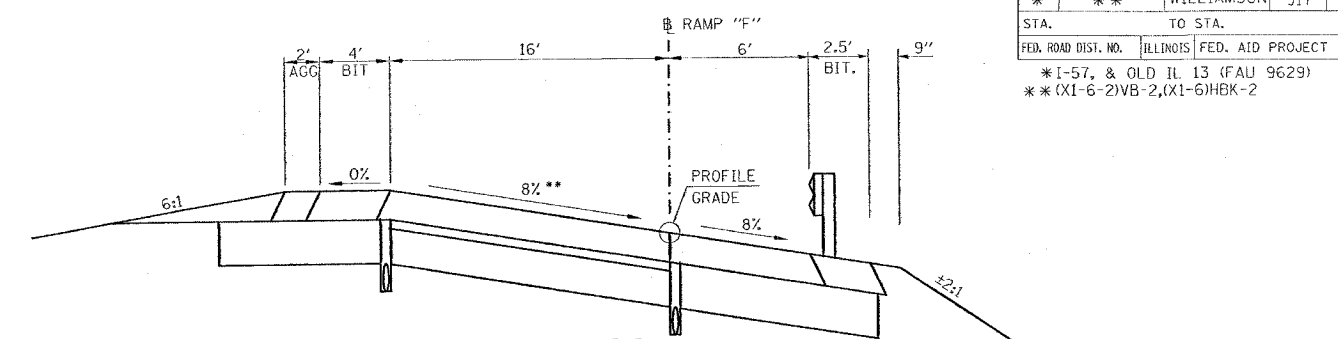
**RAMP "FF", SECTION B1-B1**  
 STA. 9+02.45, RAMP "FF"  
 (STA. 1527+81.21, FAI-57. SEE DIAGRAM, THIS SHEET)



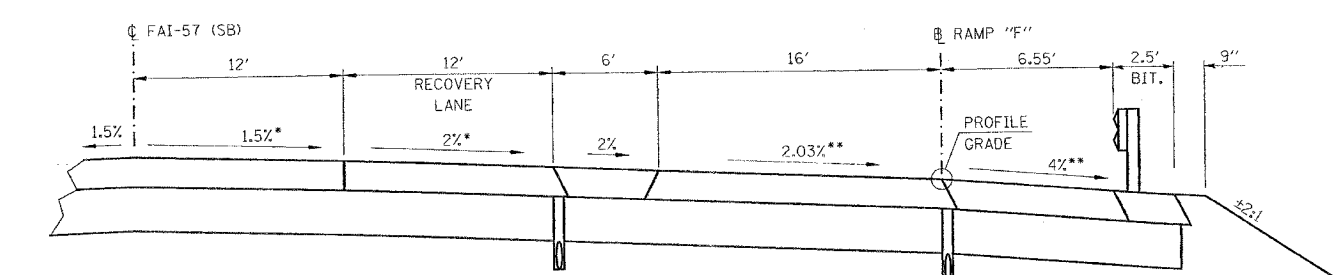
**RAMP "FF", SECTION A-A**  
 STA. 7+89.27, RAMP "FF"



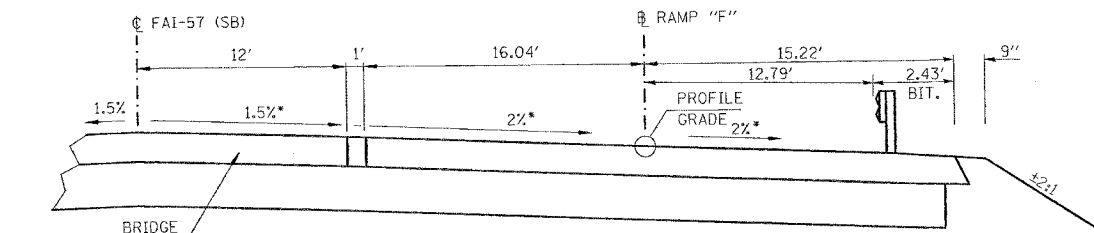
**RAMP "FF" DIAGRAM**



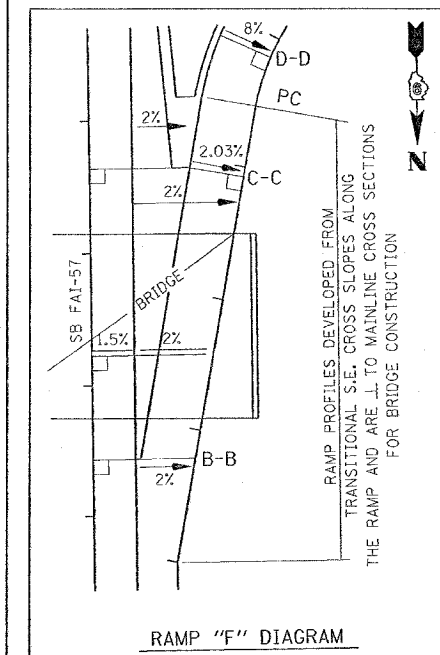
**RAMP "F", SECTION D-D**  
 STA. 5+24.82, RAMP "F"



**RAMP "F", SECTION C-C (AHEAD)**  
 STA. 3+14.82, RAMP "F"  
 (STA. 1517+99.49, FAI-57.  
 SEE DIAGRAM, THIS SHEET)



**RAMP "F", SECTION B-B**  
 STA. 0+72.24, RAMP "F"  
 (STA. 1515+56.39, FAI-57  
 SEE DIAGRAM, THIS SHEET)



**RAMP "F" DIAGRAM**

- \* SLOPES SHOWN ⊥ TO MAINLINE
- \*\* SLOPES SHOWN ⊥ TO RAMP

DATE = 10/17/2006  
 FILE NAME = c:\p\proj\98950\98950.dgn  
 PLOT SCALE = 5/8" = 1' IN.  
 USER NAME = hcarden

- \* SLOPES SHOWN ⊥ TO MAINLINE
- \*\* SLOPES SHOWN ⊥ TO RAMP

REVISIONS	
NAME	DATE

ILLINOIS DEPARTMENT OF TRANSPORTATION

**GEOMETRICS**

SCALE: VERT. NONE  
 HORIZ. DATE

DRAWN BY CNH  
 CHECKED BY