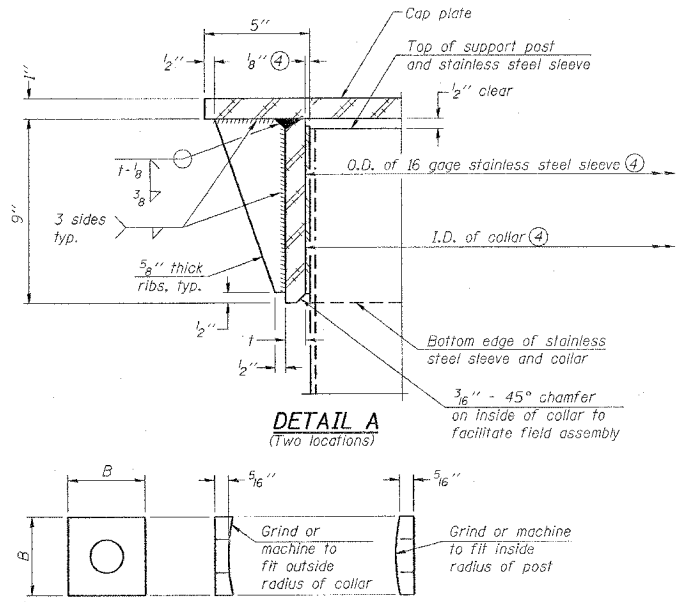
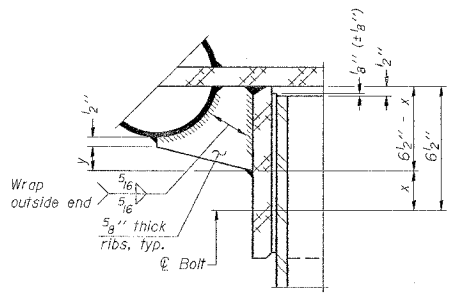


④ Collar I.D. shall be manufactured to correspond to O.D. of actual galvanized post and stainless steel sleeve plus 1/8" (+1/16"). Maximum gap between post and collar at any location equals 1/8" before tightening bolts.

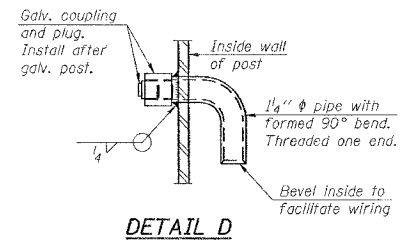
SECTION B-B
 Bolts, washers (including contoured washers), and locknuts shall be stainless steel.



DETAIL A
 (Two locations)



DETAIL B
 Two locations
 (For details not shown, see Detail C)



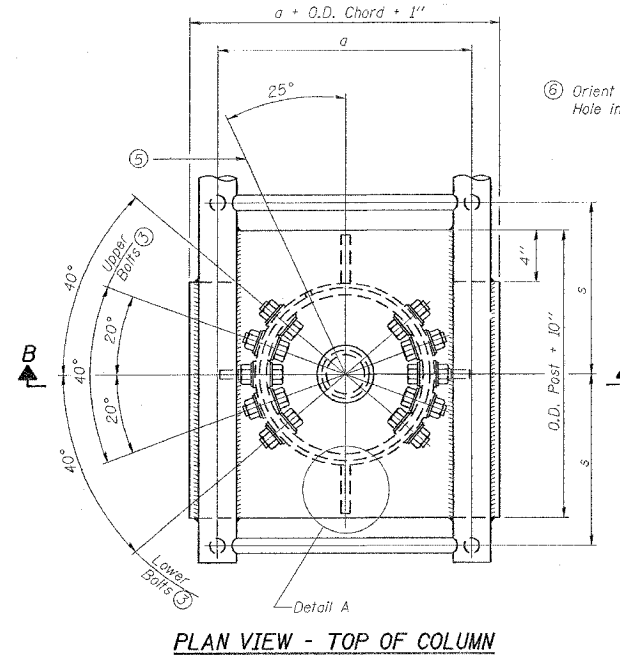
DETAIL D

CONTOURED WASHERS

Bolt Size	Contoured Washers Hole Dia.	B
1/8"	1"	2 1/2"
1/4"	1 1/8"	3"
3/8"	1 3/8"	3 1/4"

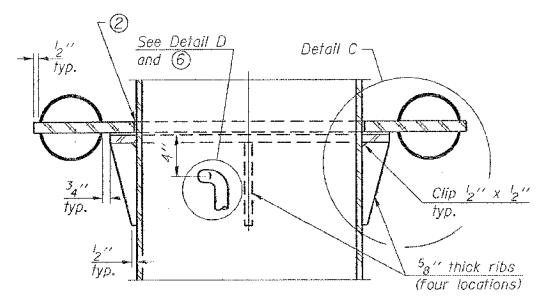
DETAIL OF STAINLESS STEEL SLEEVE

Weld to post after galvanizing.
 (Prepare post surface to insure tight, uniform fit and allow welding.)
 Welds to be 1/2" long at 6" o/s.
 along top edge and at 1/4" opening.

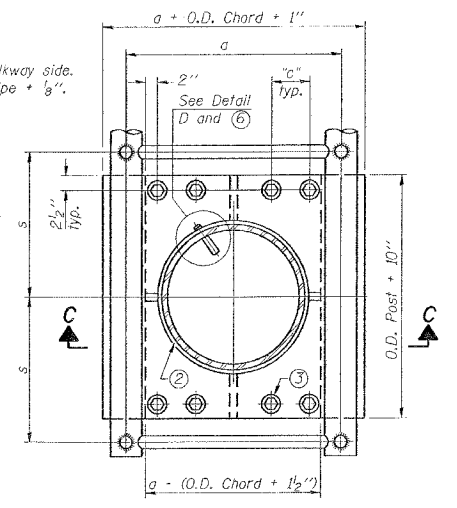


PLAN VIEW - TOP OF COLUMN

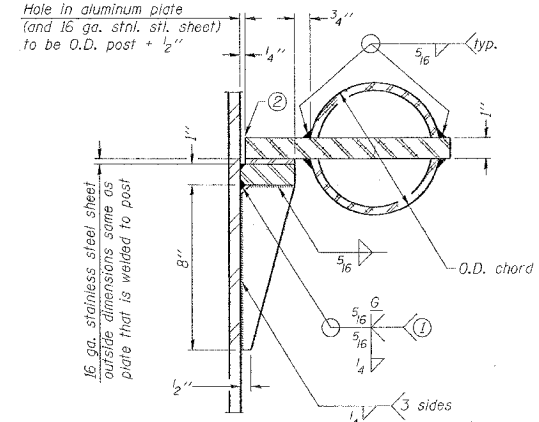
5 Optional full penetration weld in collar.
 (Two locations maximum....(180° apart)....X-ray or UT 100%)



SECTION C-C



SECTION THRU POST ABOVE LOWER CHORDS



DETAIL C

① Grind top if required to fully seat aluminum plate and stainless steel sheet.
 ② After tightening lower connection bolts, fill gap with non-hardening, silicone caulk suitable for exterior exposure and acceptable to the Engineer. Cost is included in Overhead Sign Structure Cantilever.

Truss Type	Post Size	Upper & Lower Connection Bolt Diameter ③	Lower Juncture Bolt Spacing Dimension "c" ③	Opening in Cap Plate "HH"	Collar Thickness (t)	Side Ribs	
						x	y
I-C-A	16" φ (B3#/1)	7/8"	3 1/4"	8"	5/8"	1 3/4"	2 1/4"
II-C-A	24" φ (I25#/1)	1"	3 1/2"	12"	7/8"	2"	1 1/4"
III-C-A (35' max.)	24" φ (I25#/1)	1 1/4"	3 1/2"	12"	7/8"	2"	1"
III-C-A (35' to 40')	24" φ (I71#/1)	1 1/4"	3 1/2"	12"	7/8"	2"	1"

③ Upper and lower connection bolts in collar and bolts at lower chord connection shall be high strength with matching locknuts. Connection bolts shall have 2 stainless steel flat washers each.

NUMBER	REVISION	DATE

REVISIONS	
NAME	DATE

ILLINOIS DEPARTMENT OF TRANSPORTATION

**CANTILEVER SIGN STRUCTURES
 JUNCTURE DETAILS
 ALUMINUM TRUSS & STEEL POST**

SCALE: VERT. NONE
 HORIZ. DRAWN BY CNH

DATE CHECKED BY