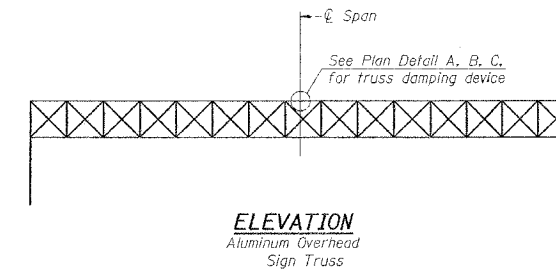
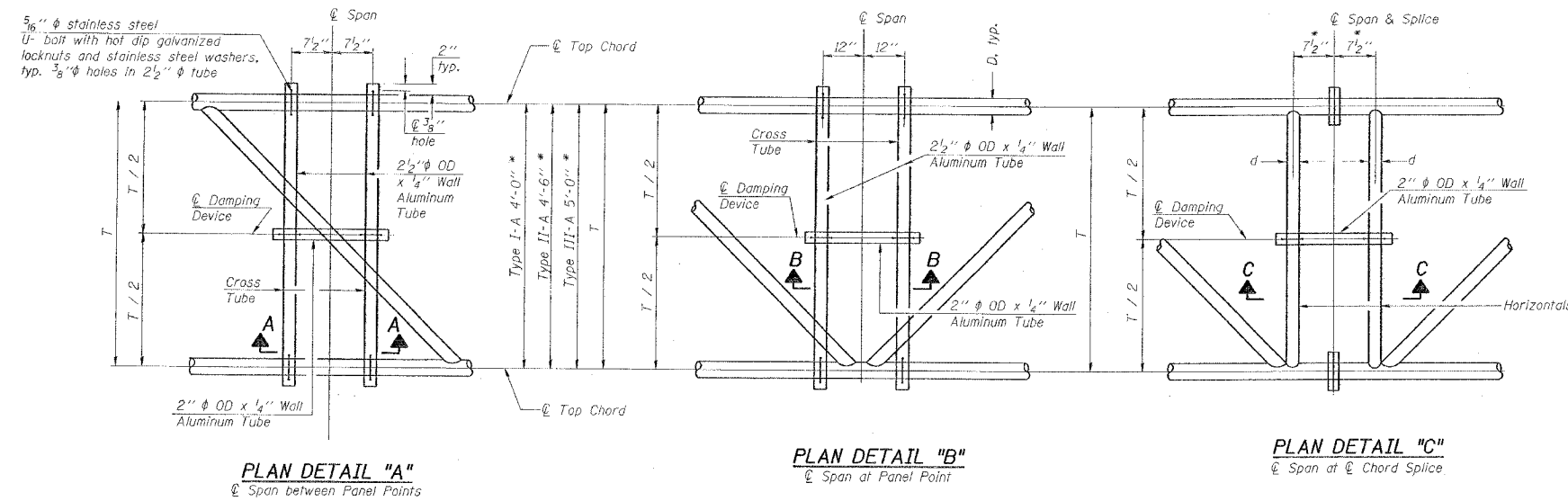
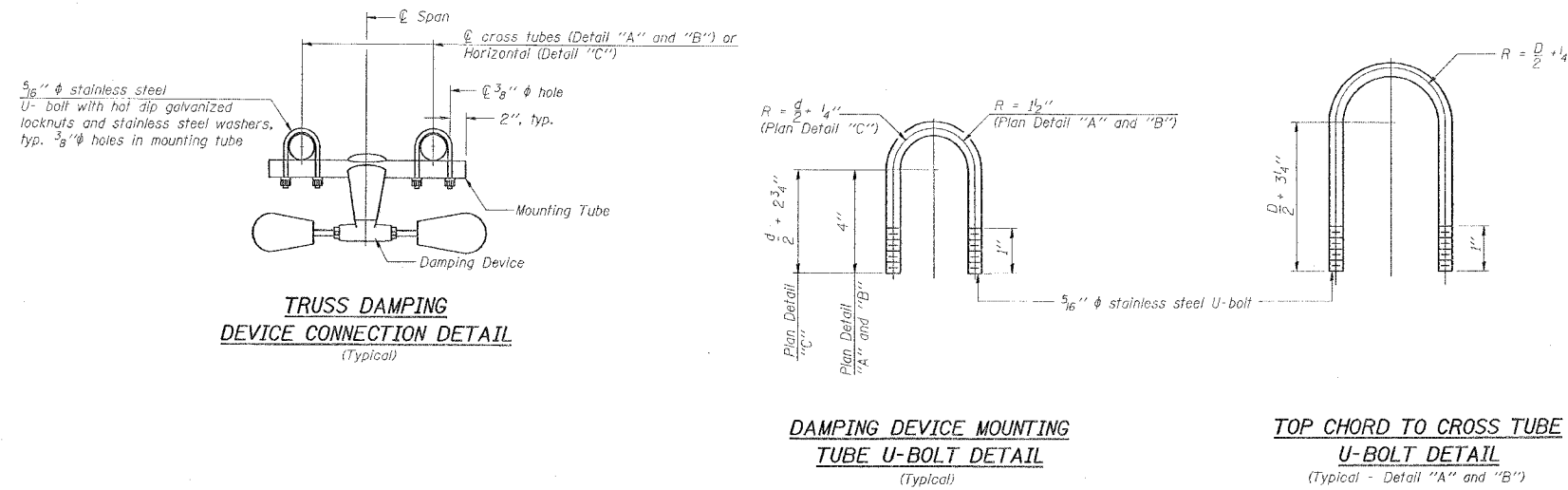
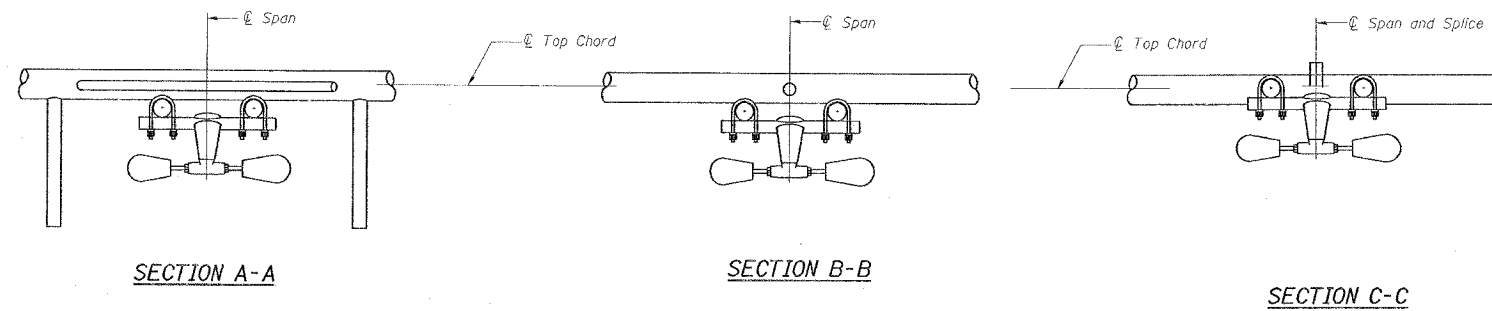


F.A. RTE.	SECTION	COUNTY	TOTAL SHEETS	SHEET NO.
*	**	WILLIAMSON	917	761
STA.		TO STA.		
FED. ROAD DIST. NO.	ILLINOIS	FED. AID PROJECT		
* I-57, & OLD IL 13 (FAU 9629)				
** (X1-6-2)VB-2,(X1-6)HBK-2				

\* Center of horizontal to center of splice dimension may vary. Verify before drilling holes in mounting tube.



**NOTES**  
 Damper: One damper per truss.  
 (31 lbs. Stockbridge-Type Aluminum)  
 Cost included in Overhead Sign Structure...  
 Materials: Aluminum tubes shall be ASTM B221 alloy 6061 temper T6. Cost included in Overhead Sign Structure...



REVISIONS	
NAME	DATE

ILLINOIS DEPARTMENT OF TRANSPORTATION  
**OVERHEAD SIGN STRUCTURE  
 DAMPING DEVICE**  
 SCALE: VERT. NONE  
 HORIZ. DATE  
 DRAWN BY CNH  
 CHECKED BY