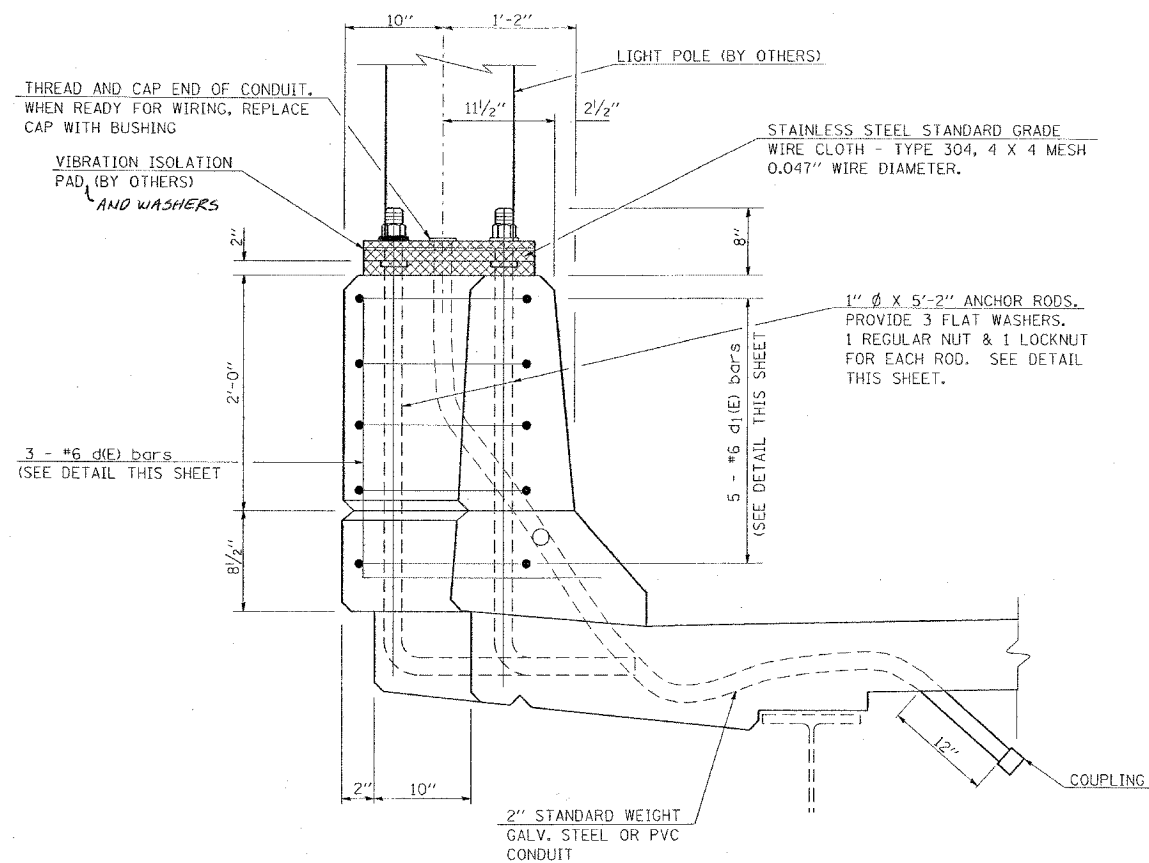


F.A. RTE.	SECTION	COUNTY	TOTAL SHEETS	SHEET NO.
*	**	WILLIAMSON	917	792

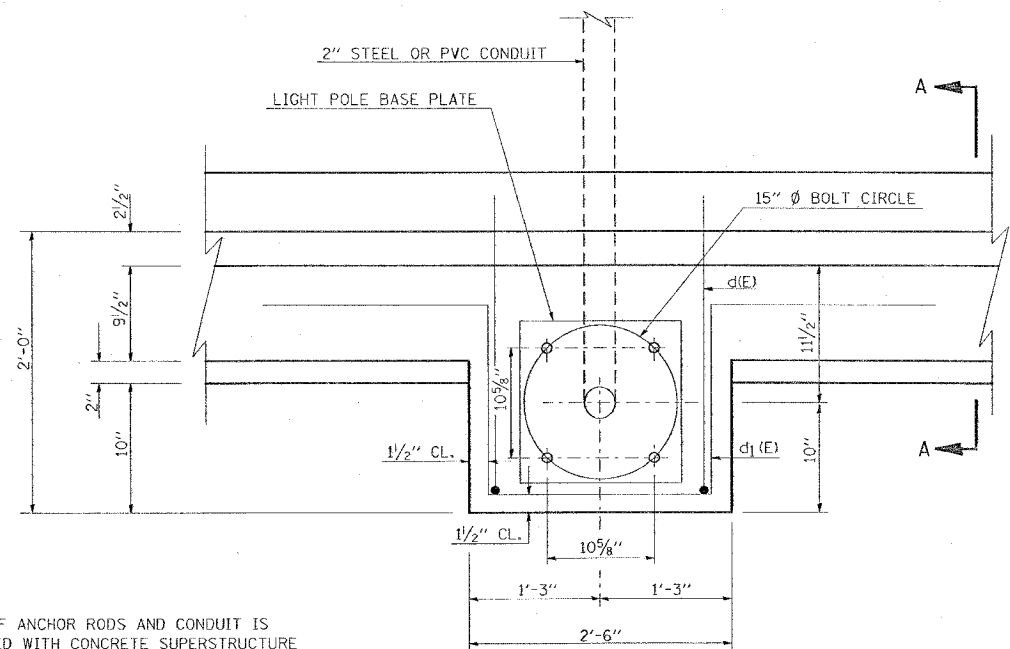
STA.	TO STA.

FED. ROAD DIST. NO. ILLINOIS FED. AID PROJECT
 * I-57, & OLD IL 13 (FAU 9629)
 ** (X1-6-2)VB-2,(X1-6)HBK-2

LIGHT POLE MOUNTED ON CONCRETE PARAPET



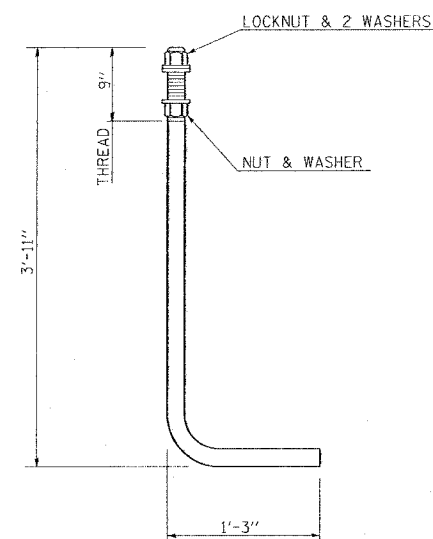
SECTION A-A



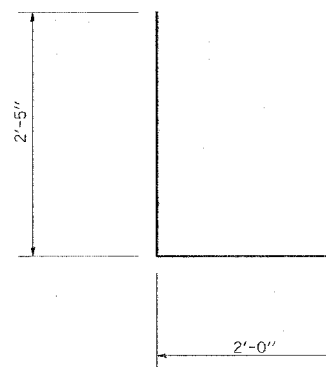
PLAN

NOTE: COST OF ANCHOR RODS AND CONDUIT IS INCLUDED WITH CONCRETE SUPERSTRUCTURE

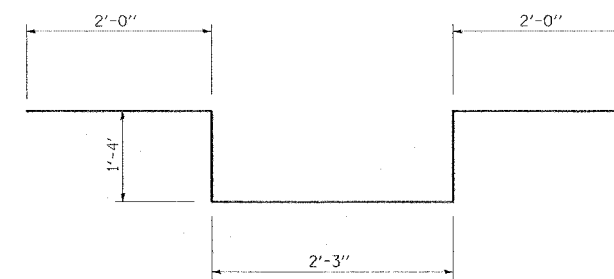
LIGHT PEDESTAL REINFORCEMENT



1" Ø ANCHOR ROD
(ASTM F 1554 GRADE 105)



BAR d(E)



BAR d₁(E)

REVISIONS	
NAME	DATE

ILLINOIS DEPARTMENT OF TRANSPORTATION

**DETAILS:
 LIGHT POLE MOUNTED ON CONCRETE
 PARAPET
 LIGHT PEDESTAL REINFORCEMENT**

SCALE: VERT. NONE
 HORIZ. DATE

DRAWN BY CNH
 CHECKED BY LA