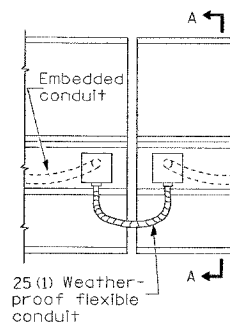


F.A. RTE.	SECTION	COUNTY	TOTAL SHEETS	SHEET NO.
*	**	WILLIAMSON	917	793

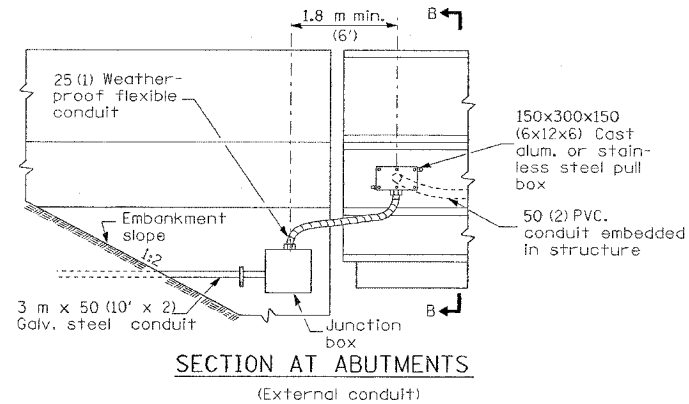
STA.	TO STA.
FED. ROAD DIST. NO.	ILLINOIS FED. AID PROJECT

* I-57, & OLD IL 13 (FAU 9629)
 ** (X1-6-2)VB-2,(X1-6)HBK-2

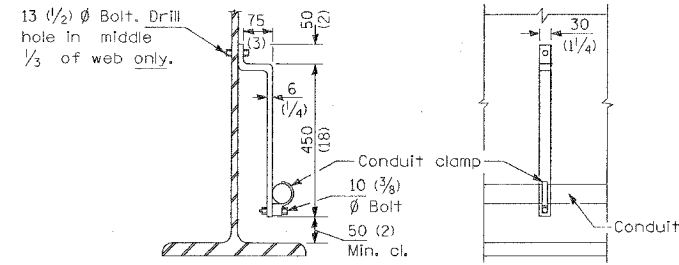
CONDUIT IN PARAPET DETAILS
 SN 100-0087 (SB)



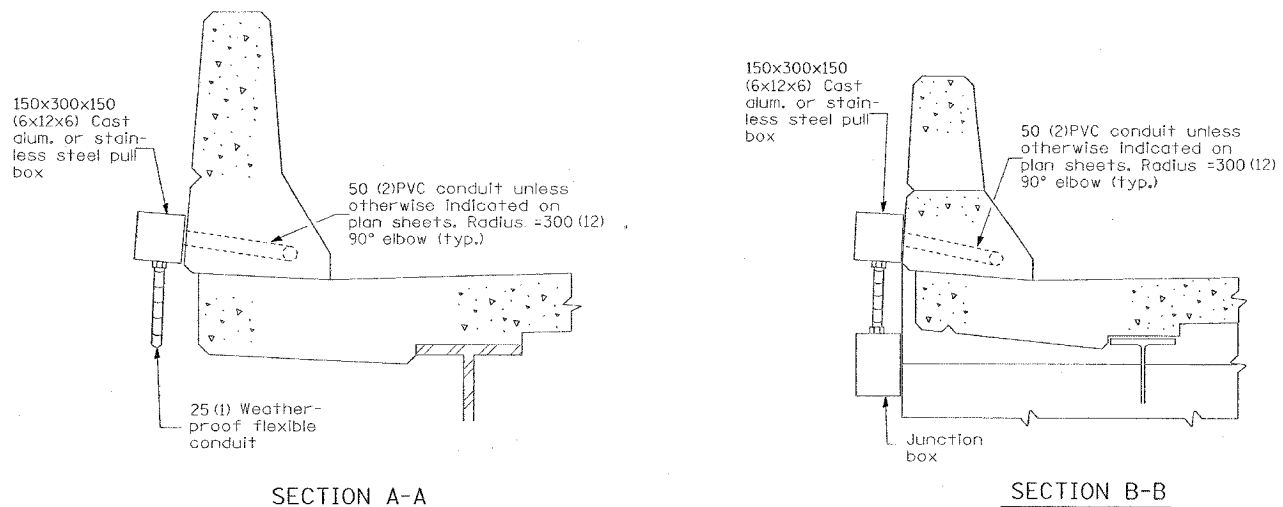
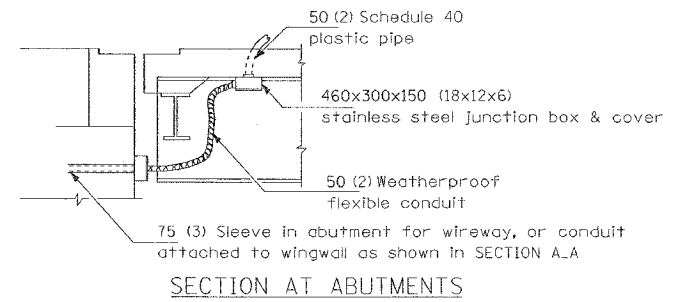
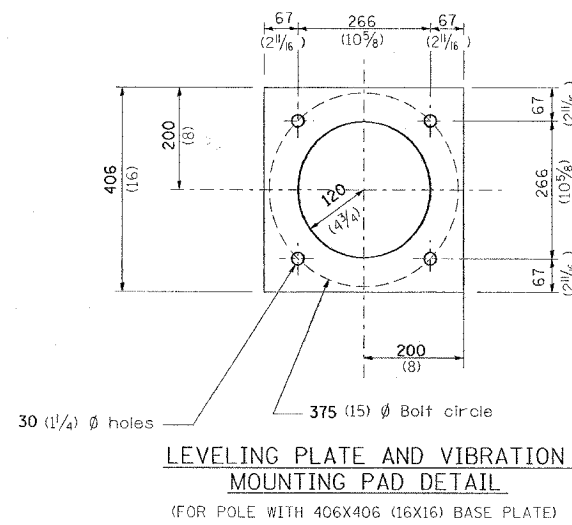
ELEVATION AT EXPANSION JOINT



CONDUIT ATTACHED TO STRUCTURE DETAILS
 SN 100-0084 (NB) AND SN 100-0085 (SB)



CONDUIT SUPPORT BRACKET



All dimensions are in millimeters (inches) unless otherwise shown.

All dimensions are in millimeters (inches) unless otherwise shown.

REVISIONS	
NAME	DATE

ILLINOIS DEPARTMENT OF TRANSPORTATION

DETAILS:
CONDUIT IN PARAPET;
CONDUIT ATTACHED TO STRUCTURE

SCALE: VERT. NONE
 HORIZ. DATE

DRAWN BY CNH
 CHECKED BY