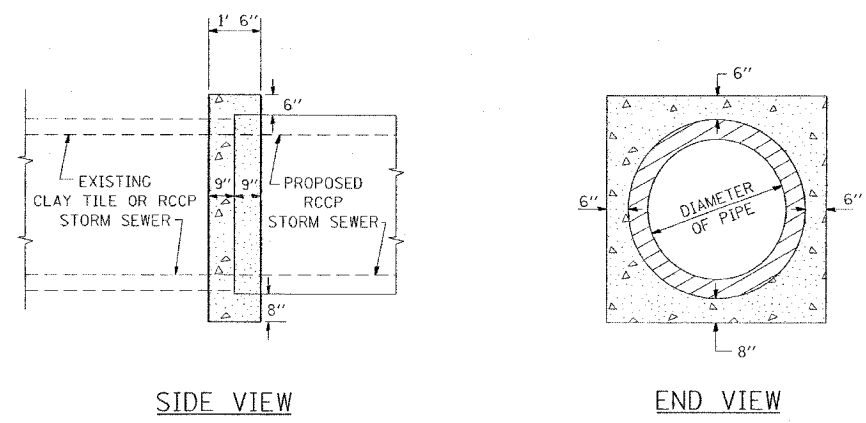


F.A. RTE.	SECTION	COUNTY	TOTAL SHEETS	SHEET NO.
*	**	WILLIAMSON	917	815
STA.		TO STA.		
FED. ROAD DIST. NO.		ILLINOIS FED. AID PROJECT		
* I-57, & OLD IL 13 (FAU 9629)				
** (X1-6-2)VB-2,(X1-6)HBK-2				

DETAILS OF CONCRETE COLLAR FOR PIPE CULVERT



QUANTITY ONE COLLAR

DIA OF PIPE	CLASS SI CONC CU YD (EST)
12"	0.25
15"	0.29
24"	0.44
30"	
36"	

THE CONCRETE COLLAR SHALL BE PAID FOR AT THE CONTRACT UNIT PRICE PER CUBIC YARD FOR CONCRETE COLLAR, AS SHOWN ON THE PLANS. CLASS SI CONCRETE SHALL BE USED THROUGHOUT.

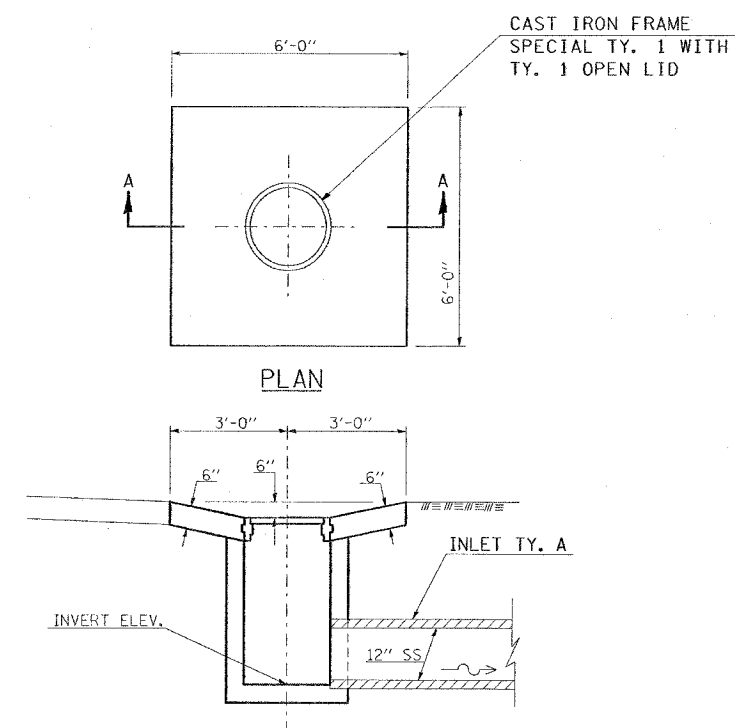
TO BE USED:
 OLD ROUTE 13: RT. STA. 775+04
 RT. STA. 778+00
 RT. STA. 782+25
 I-57: RT. STA. 1518+01

REVISIONS

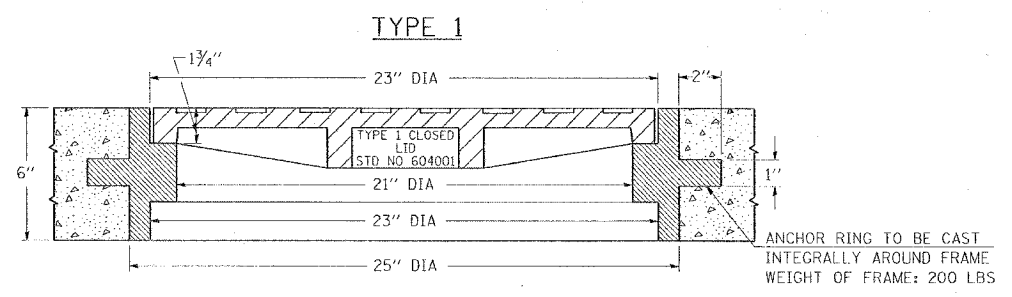
DRAWN	7-2-90
REVISED	8-22-96
REVISED	
REVISED	

MODIFIED STD. 9-77

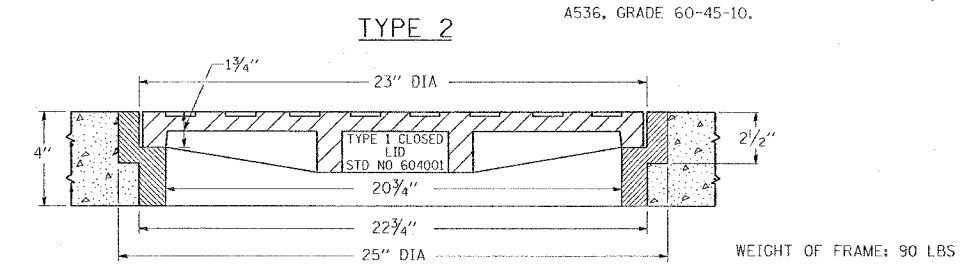
DETAILS OF CAST IRON FRAMES SPECIAL TYPE 1 WITH TYPE 1 OPEN LID



DETAILS OF CAST IRON FRAMES SPECIAL TYPE 1 & TYPE 2 WITH TYPE 1 CLOSED LID



THE FRAMES MAY BE MADE OF EITHER GRAY IRON CONFORMING TO THE STANDARD SPECIFICATIONS OR DUCTILE IRON CONFORMING TO THE SPECIFICATIONS FOR DUCTILE IRON CASTING, A.S.T.M. DESIGNATION: A536, GRADE 60-45-10.



STD. 9-18

REVISIONS

DRAWN	2-15-89
REVISED	12-14-91
REVISED	
REVISED	

REVISIONS

NAME	DATE

ILLINOIS DEPARTMENT OF TRANSPORTATION
DETAIL:
 CONCRETE COLLAR FOR PIPE CULVERT;
 CAST IRON FRAMES SPECIAL TY. 1 & TY. 2
 WITH TY. 1 CLOSED LID; CAST IRON FRAMES
 SPECIAL TY. 1 WITH TY. 1 OPEN LID

SCALE: VERT. NONE
 HORIZ. NONE

DATE: _____ DRAWN BY CNH
 CHECKED BY EES

PLOT DATE = 10/14/2006
 FILE NAME = c:\p\proj\p06\98950\802\old\13\old\815.dgn
 PLOT SCALE = 50.0000 X 1 IN.
 USER NAME = hraden