

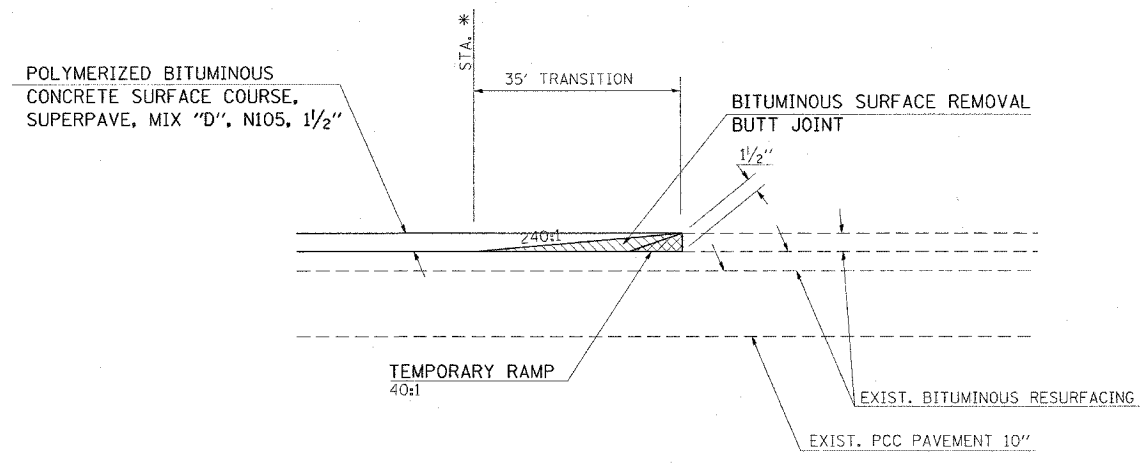
CONTRACT NO. 98950

F.A. RTE.	SECTION	COUNTY	TOTAL SHEETS	SHEET NO.
*	**	WILLIAMSON	917	820A

STA. TO STA.

FED. ROAD DIST. NO. ILLINOIS FED. AID PROJECT
 * I-57, & OLD IL 13 (FAU 9629)
 * * (X1-6-2)VB-2,(X1-6)HBK-2

BUTT-JOINT



* TO BE USED:
 STA. 784+88 (OLD IL 13)

DATE = 11/20/2006
 FILE NAME = c:\p2\98950\98950.dgn
 PLOT SCALE = 5/8"=1'-0"
 USER NAME = nesdon

REVISIONS	
NAME	DATE

ILLINOIS DEPARTMENT OF TRANSPORTATION

**DETAIL:
 BUTT JOINT**

SCALE: VERT. NONE
 HORIZ. DATE

DRAWN BY CNH
 CHECKED BY