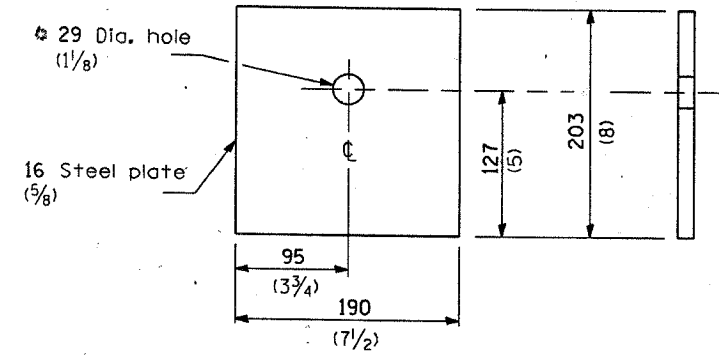
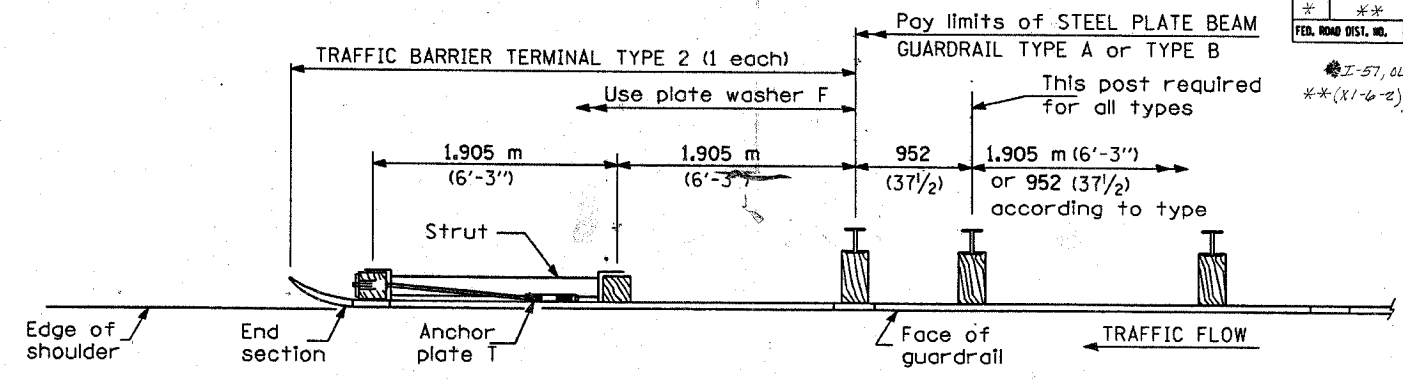


F.A. RTE.	SECTION	COUNTY	TOTAL SHEETS	SHEET NO.
*	*	WILLIAMSON	917	B30A
FED. ROAD DIST. NO.		ILLINOIS FED. AID PROJECT		

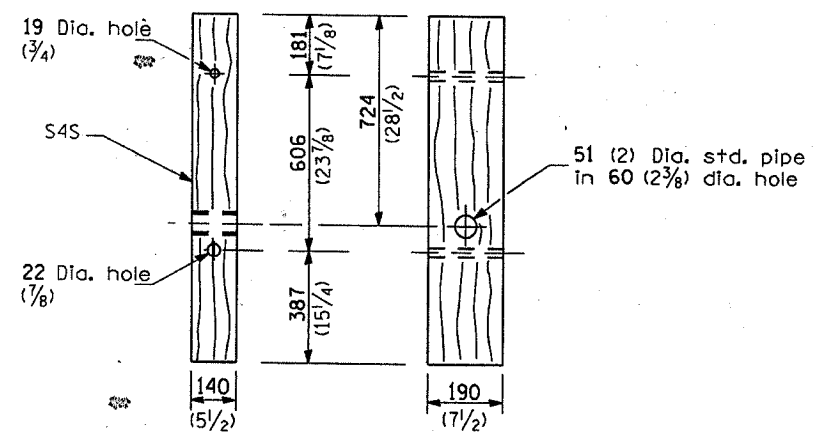
I-57, OLD IL 13 (FAU 9629)
 ** (X1-6-2) VB-2, (X1-6) HBK-2



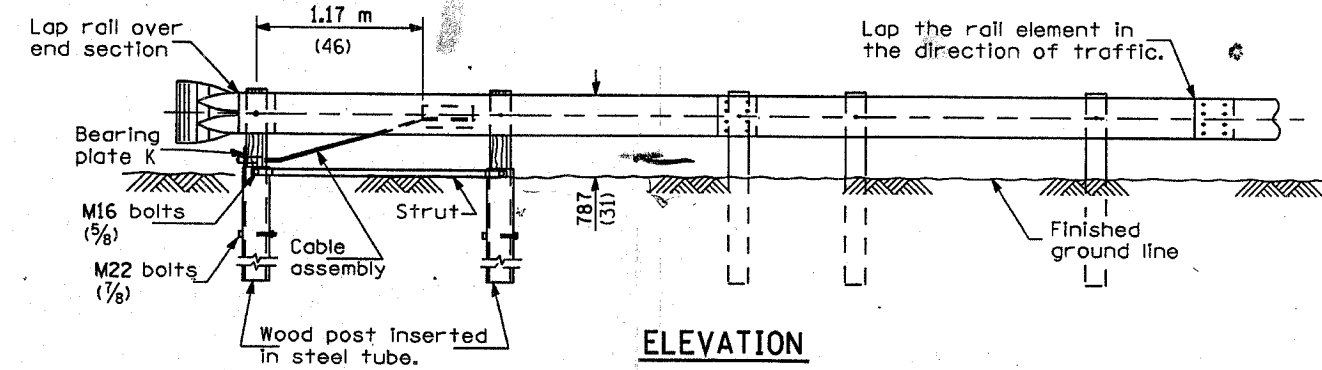
BEARING PLATE K



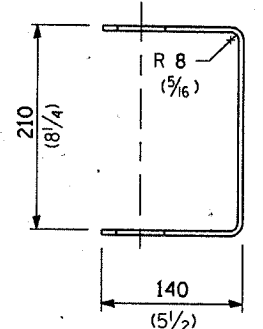
PLAN



WOOD POST

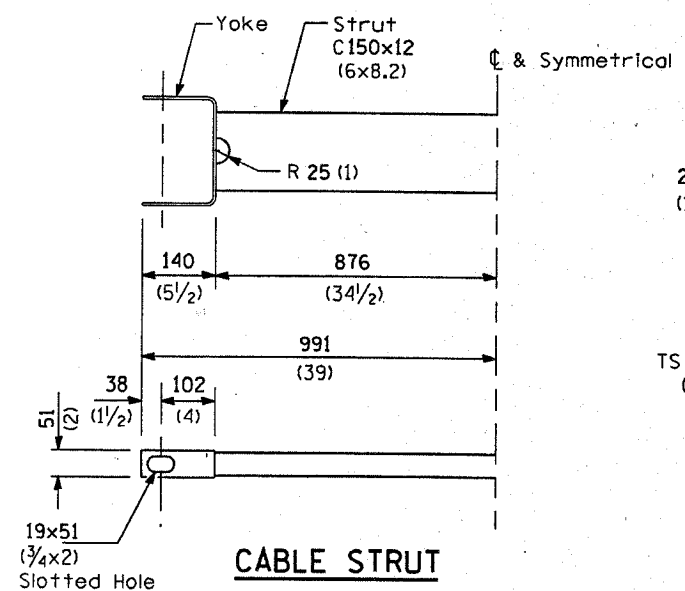


ELEVATION

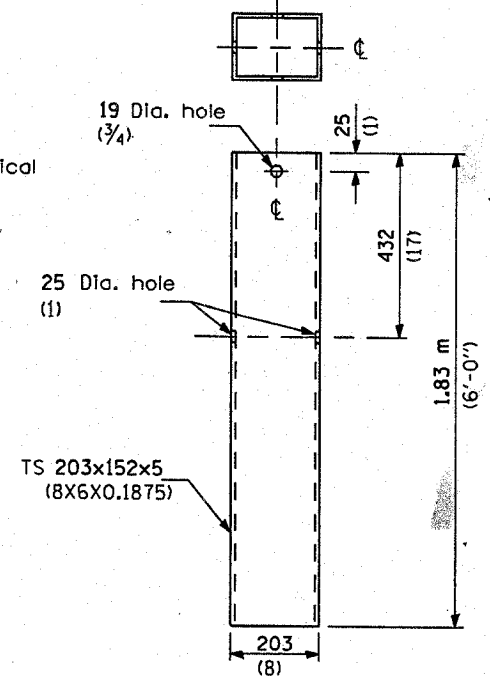


YOKE

5 (3/16) thick steel



CABLE STRUT



STEEL TUBE

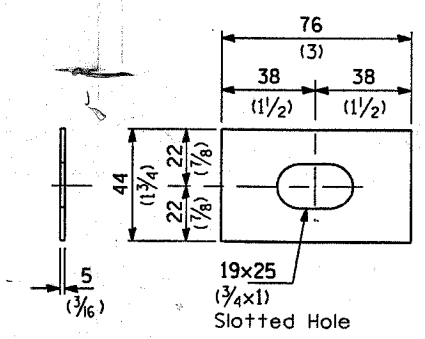


PLATE WASHER F

GENERAL NOTES

See Standard 630001 for details of guardrail not shown.

The bearing plate K shall be held in position by (2) two eight penny nails driven into the post and bent over the top of the plate.

All dimensions are in millimeters (inches) unless otherwise shown.

TRAFFIC BARRIER TERMINAL, TYPE 2

DETAIL