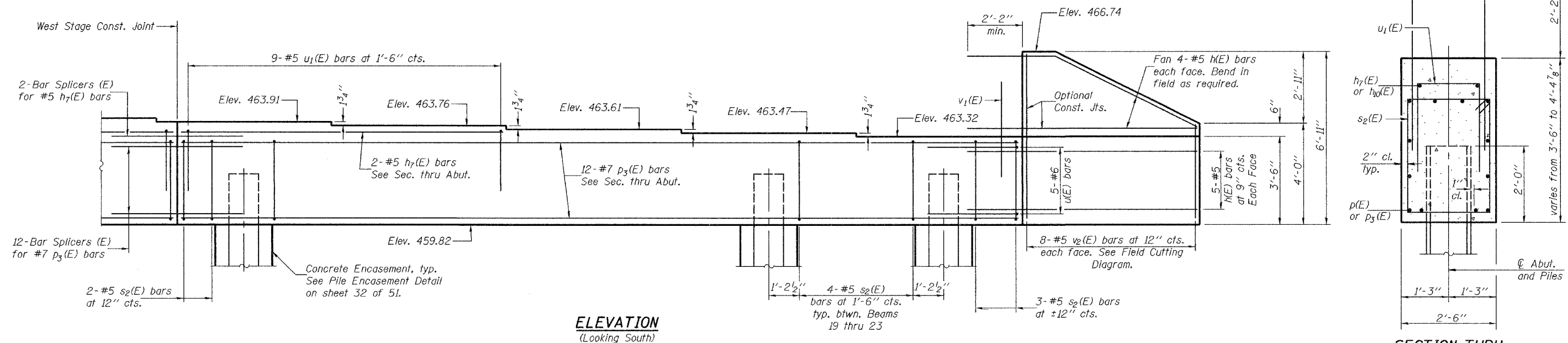


Notes: Four steps monolithically with cap.
 Space reinforcement in cap to miss anchor bolts.
 For Anchor Bolt installation details see sheet 30 of 51.
 For Bar Splicer details see sheet 48 of 51.
 For bar bending details and Field Cutting Diagram see sheet 33 of 51.

STATE OF ILLINOIS
 DEPARTMENT OF TRANSPORTATION

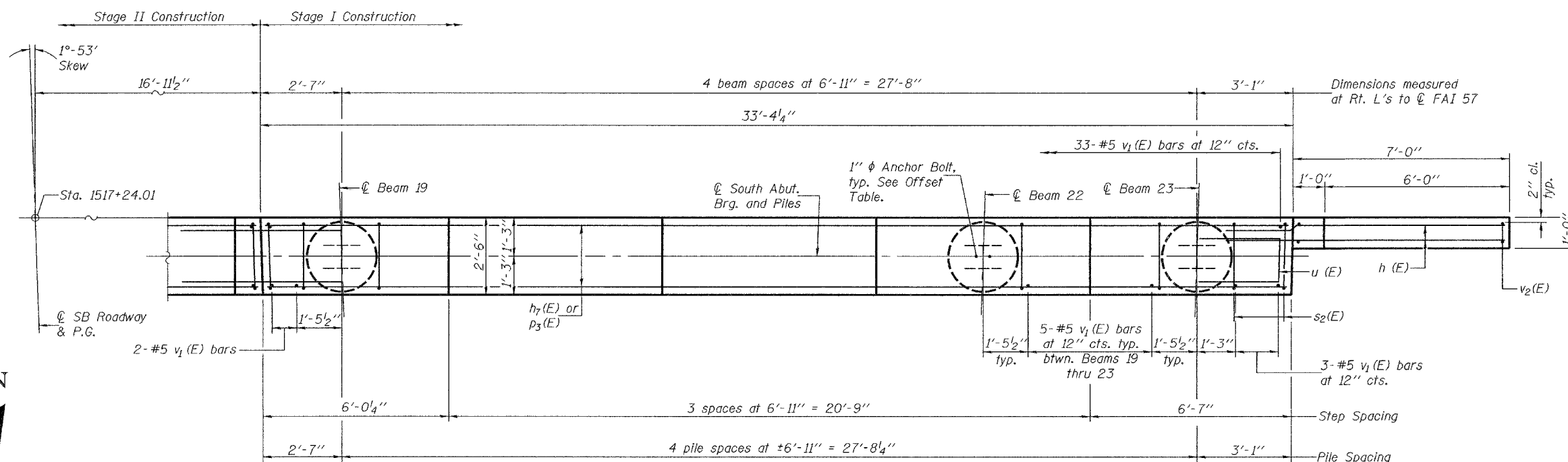
ROUTE NO.	SECTION	COUNTY	SHEETS	SHEET	SHEET NO. 38
F.A.I. 57	(X1-6-2) VB-2	WILLIAMSON	917	871	51 SHEETS
FED. ROAD DIST. NO. 7	ILLINOIS FED. AID PROJECT-				

Contract #98950



ELEVATION
 (Looking South)

SECTION THRU
 SOUTH ABUTMENT (SB)



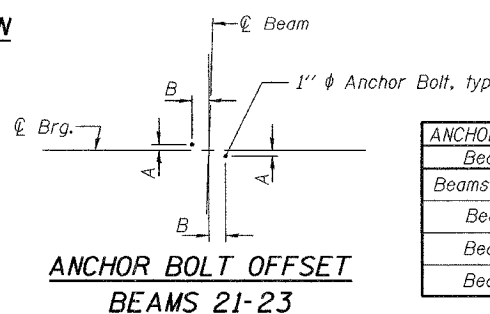
PLAN

BILL OF MATERIAL
 SOUTH ABUTMENT - SN 100-0087 (S.B.)

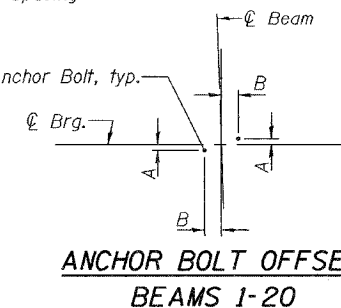
Bar	No.	Size	Length	Shape
h(E)	18	#5	9'-5"	—
h7(E)	2	#5	12'-7"	—
h0(E)	4	#5	25'-2"	—
p(E)	24	#7	26'-10"	—
p3(E)	12	#7	33'-0"	—
s2(E)	50	#5	11'-5"	□
u(E)	10	#6	7'-2"	—
u1(E)	42	#5	6'-10"	—
v1(E)	143	#5	4'-4"	—
v2(E)	8	#5	10'-2"	—
Concrete Encasement	Cu. Yd.		5.3	
Concrete Structures	Cu. Yd.		32.2	
Reinforcement Bars, Epoxy Coated	Pound		4170	
Structure Excavation	Cu. Yd.		180	
Furnishing Steel Piles HP14x73	Foot		720	
Driving Piles	Foot		720	

PILE DATA
 (S. ABUTMENT - SB)

Type: HP14x73
 Nominal Required Bearing: 578 kips
 Factored Resistance Available: 289 kips
 Est. Length: 60 feet
 No. of Production Piles: 12



Beam No.	A	B
Beams 1 thru 20	1/8"	2 5/8"
Beam 21	0	2 5/8"
Beam 22	1/8"	2 5/8"
Beam 23	1/8"	2 5/8"



DESIGNED	Michael D. Cima
CHECKED	Fess Teklehaimanot
DRAWN	BECKY M. LEACH
CHECKED	M.D.C. & F.T.

January 22, 2007
 EXAMINED *Thomas J. Demagala*
 DRAWN *Ralph E. Anderson*
 PASSED

SOUTH ABUTMENT (STAGE I - SB)
 F.A.I. RT. 57 SEC. (X1-6-2)VB-2
 WILLIAMSON COUNTY
 STA. 1516+58.56
 S.N. 100-0086 (N.B.)
 S.N. 100-0087 (S.B.)