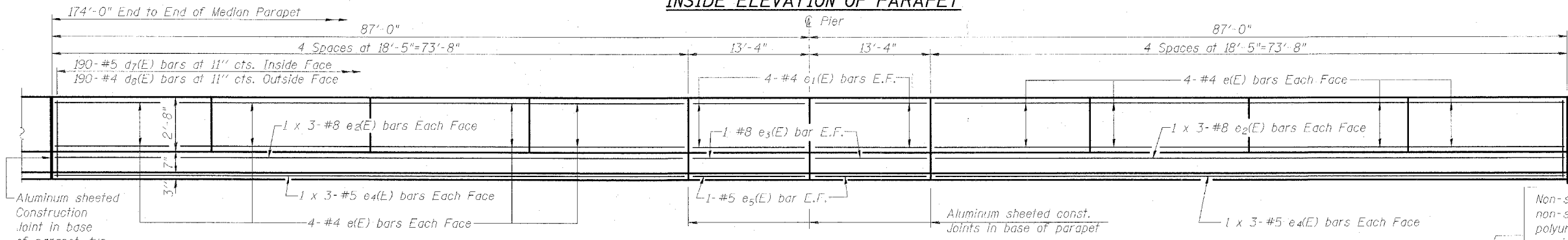


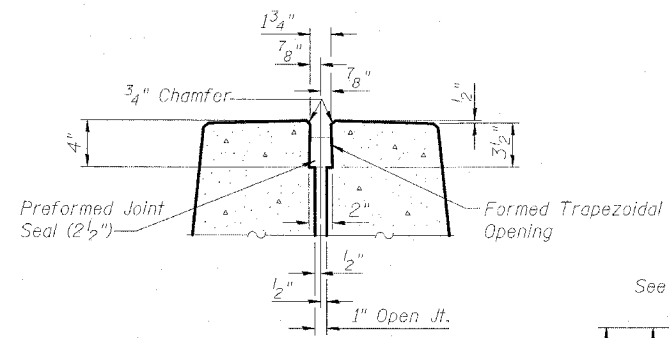
INSIDE ELEVATION OF PARAPET



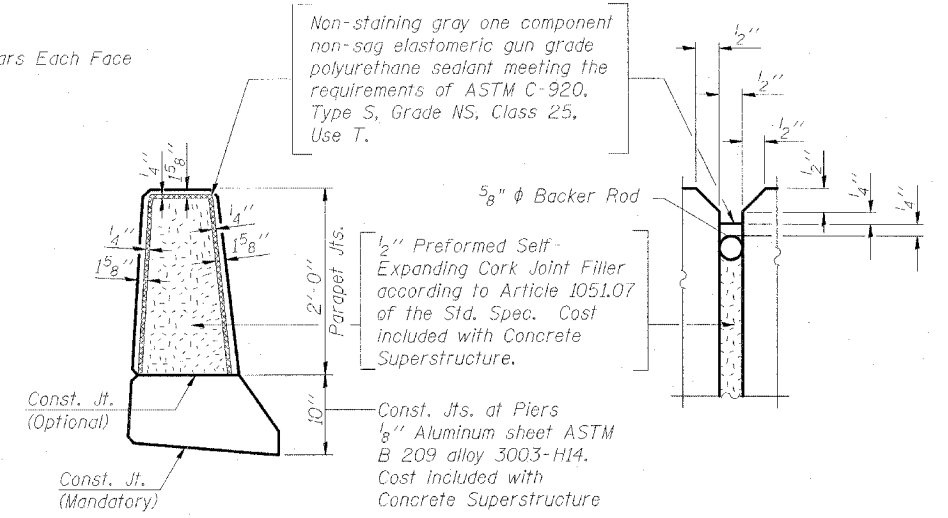
INSIDE ELEVATION OF MEDIAN BARRIER

MIN. BAR LAP

| | |
|----|-------|
| #5 | 1'-8" |
| #8 | 3'-8" |

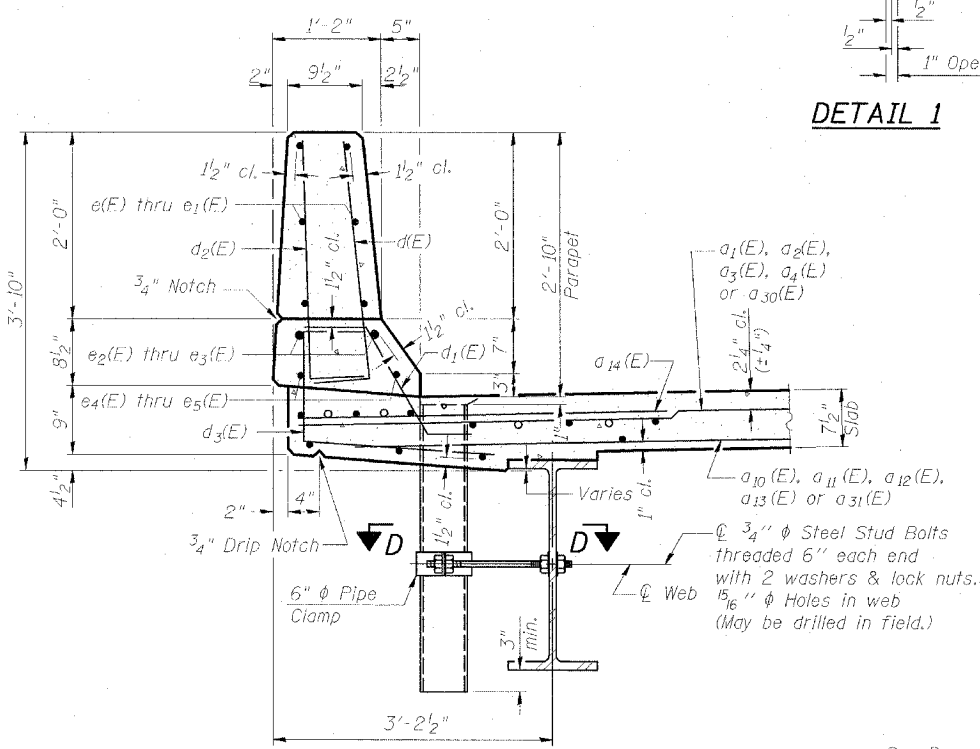


DETAIL 1

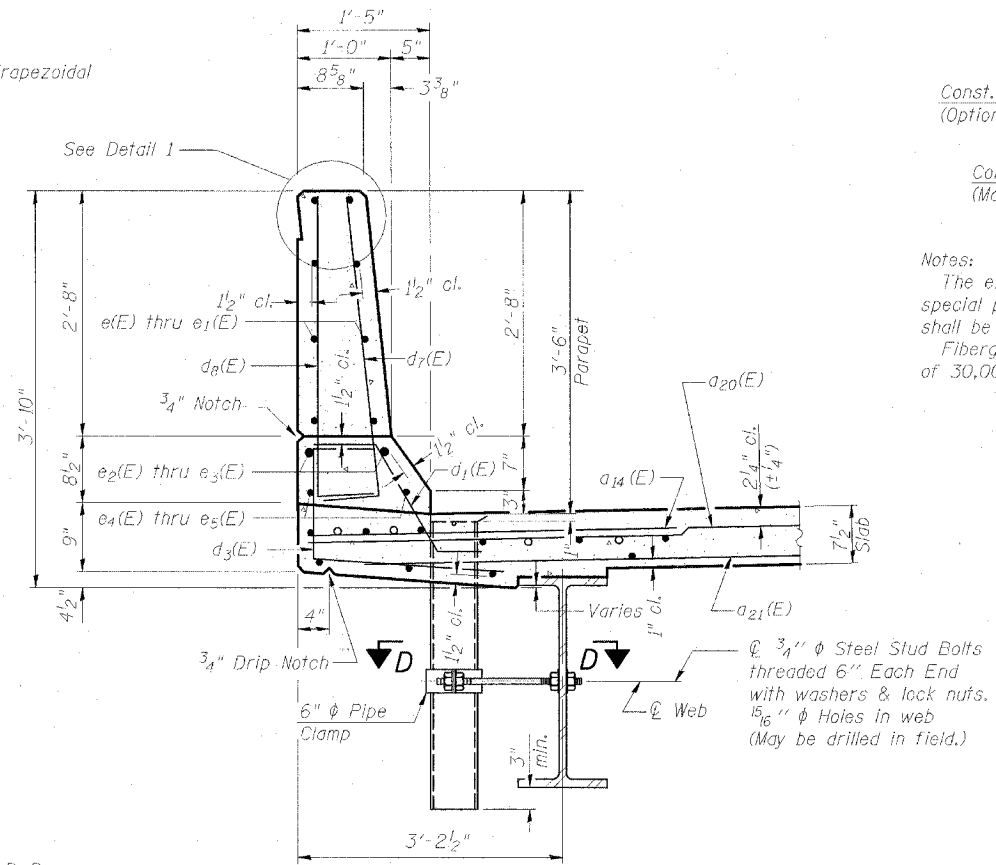


PARAPET JOINT DETAILS

Notes:
 The exterior surfaces of the floor drains shall be painted with the finish coat as specified in the special provisions for Cleaning and Painting New Metal Structures. The exterior surfaces of the drains shall be cleaned according to Steel Structures Painting Council's Spec. SSPC-SP1 prior to painting.
 Fiberglass pipe shall conform to ASTM D 2996, with short-time rupture strength hoop tensile stress of 30,000 p.s.i. minimum.



SECTION THRU OUTER PARAPET



SECTION THRU MEDIAN PARAPET

See Dwg. S-14 for Section D-D.

| | |
|--|---|
| PARAPET DETAILS | |
| INTERSTATE 57 OVER WEST MAIN ST. (OLD IL RT. 13) F.A.I. RT. 57 SEC. (XI-6)HBK-2 WILLIAMSON COUNTY STATION 1529+96.11 STRUCTURE NO. 100-0084 (N.B.) STRUCTURE NO. 100-0085 (S.B.) | |
| Clark Dietz ENGINEERS | |
| DESIGN FIRM REGISTRATION No. 184-000450 1817 SOUTH NEIL STREET SUITE 100 CHAMPAIGN, IL 61820 PHONE : 217.373.8900 FAX : 217.373.8923 | |
| NOTE: DIMENSIONAL DATA IS NOT TO BE OBTAINED BY SCALING ANY PORTION OF THIS DRAWING. | |
| DESIGNED BY: SMM DRAWN BY: MEW CHECKED BY: SLD APPROVED BY: SMM ACTIVITY: INITIALS | PROJECT NO: 102314 DATE: 05/20/06 DRAWING NUMBER S-12 |