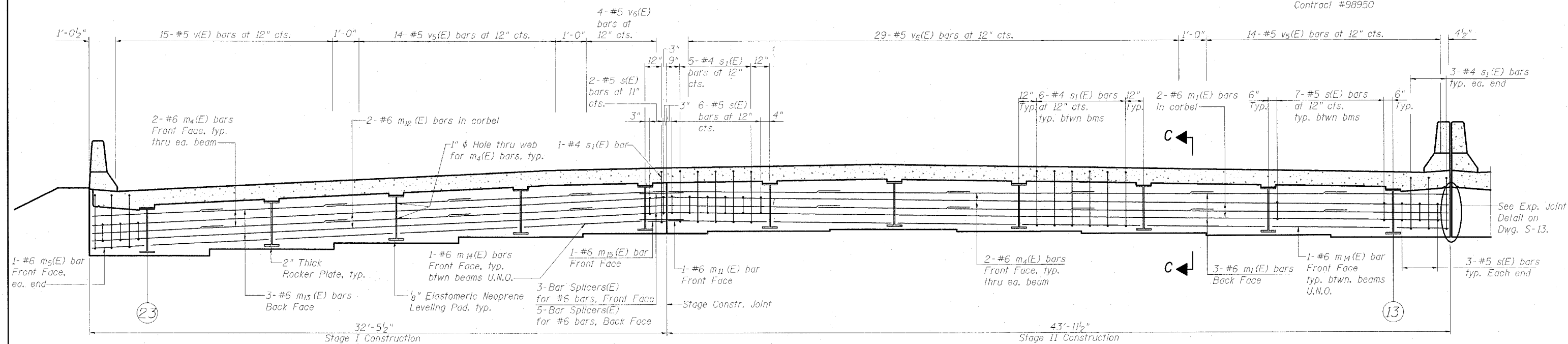
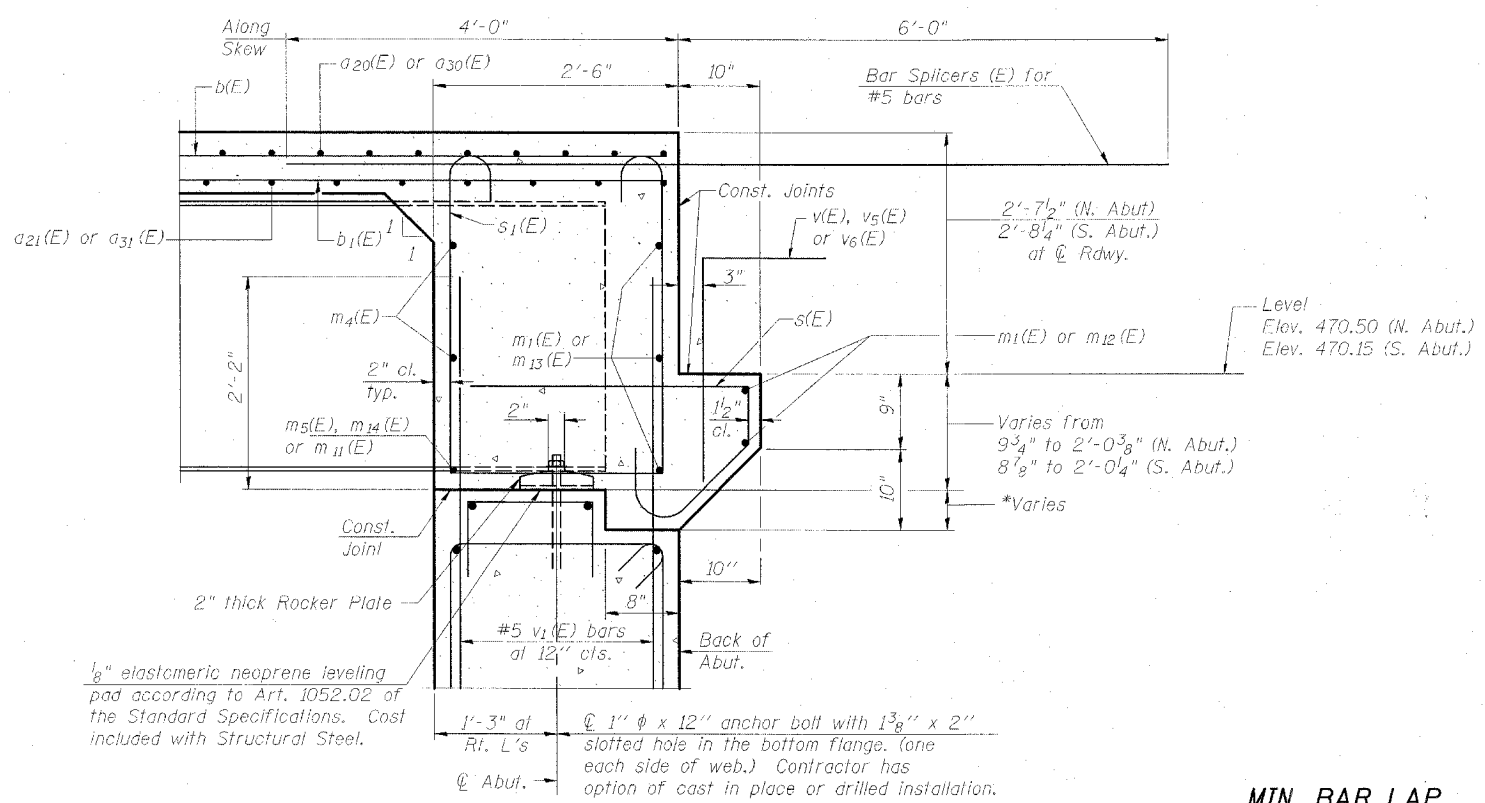


Contract #98950



SOUTHBOUND DIAPHRAGM ELEVATION AT NORTH ABUTMENT
(Looking North)

(Diaphragm Elevation at South Abutment similar, mirror image)

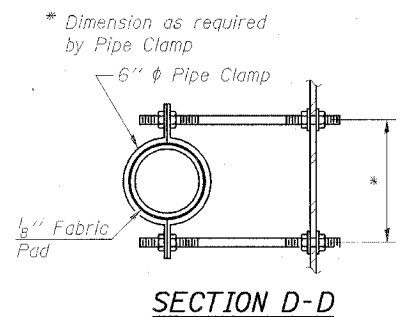


SECTION C-C

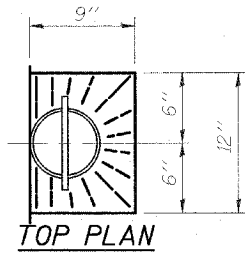
Dimensions at right angles to abutment, except as shown.
* Where bottom of corbel is above bearing seat, build level across full width of abutment cap.

MIN. BAR LAP

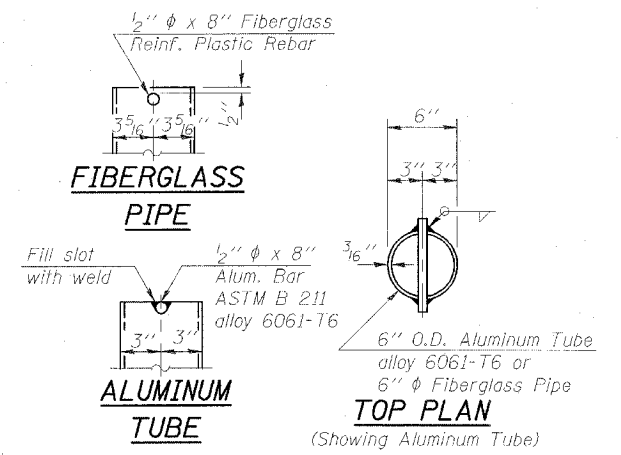
#6	2'-9"
----	-------



SECTION D-D



TOP PLAN



NOTES

1. Reinforcement bars in diaphragm are billed with superstructure on Dwg. S-15.
2. Concrete in diaphragm is included with Concrete Superstructure on Dwg. S-15.
3. For details of bars s(E) & s1(E) see Dwg. S-15.
4. The s(E) and s1(E) bars shall be placed parallel to the beams. Spacing for these bars shall be at right angles to the beams.

DIAPHRAGM ELEVATIONS, SOUTHBOUND

INTERSTATE 57 OVER
WEST MAIN ST. (OLD IL RT. 13)
F.A.I. RT. 57 SEC. (X1-6)HBK-2
WILLIAMSON COUNTY
STATION 1529+96.11
STRUCTURE NO. 100-0084 (N.B.)
STRUCTURE NO. 100-0085 (S.B.)

Clark Dietz ENGINEERS

DESIGN FIRM REGISTRATION No. 184-000450
1817 SOUTH NEIL STREET SUITE 100
CHAMPAIGN, IL 61820
PHONE : 217.373.8900
FAX : 217.373.8923

NOTE: DIMENSIONAL DATA IS NOT TO BE OBTAINED BY SCALING ANY PORTION OF THIS DRAWING.

DESIGNED BY: SMM PROJECT NO: 102314
DRAWN BY: MEW DATE: 05/2006
CHECKED BY: SLD
APPROVED BY: SMM
ACTIVITY INITIALS

DRAWING NUMBER
S-14