

- NOTES**
- N.T.R. designates members subject to the supplemental requirements for notch toughness (Zone 2).
 - All structural steel for beams and splice plates shall be AASHTO M270 Grade 50.
 - Fasteners shall be high strength bolts conforming to AASHTO M-164 specification (ASTM A325). Bolts $\frac{7}{8}$ " ϕ , open holes $\frac{15}{16}$ " ϕ , unless noted otherwise.
 - Number of shear studs req'd = 9,144 Northbound
 - For Section F-F see Dwg. S-17.

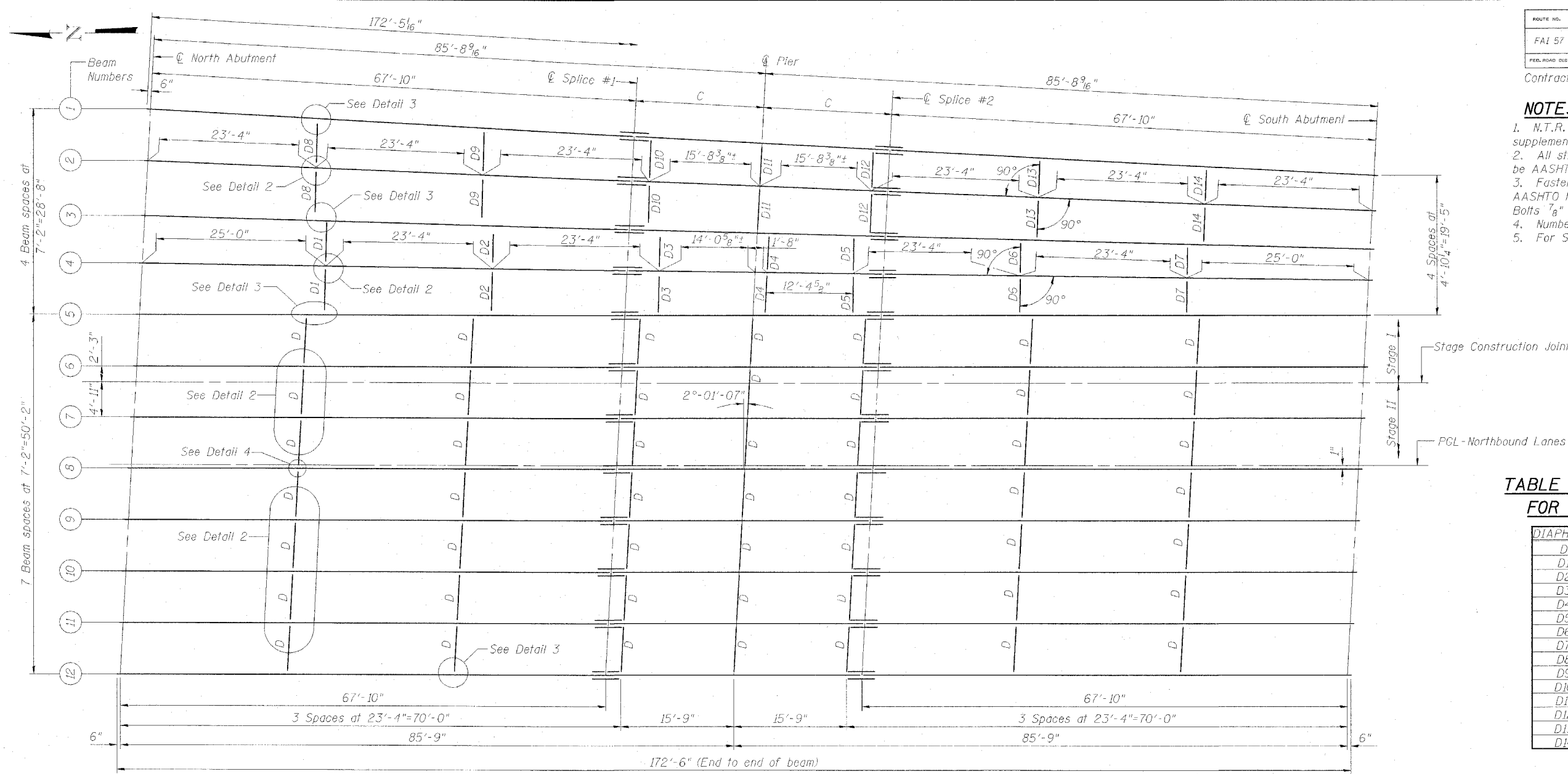


TABLE OF DIMENSIONS FOR DIAPHRAGMS

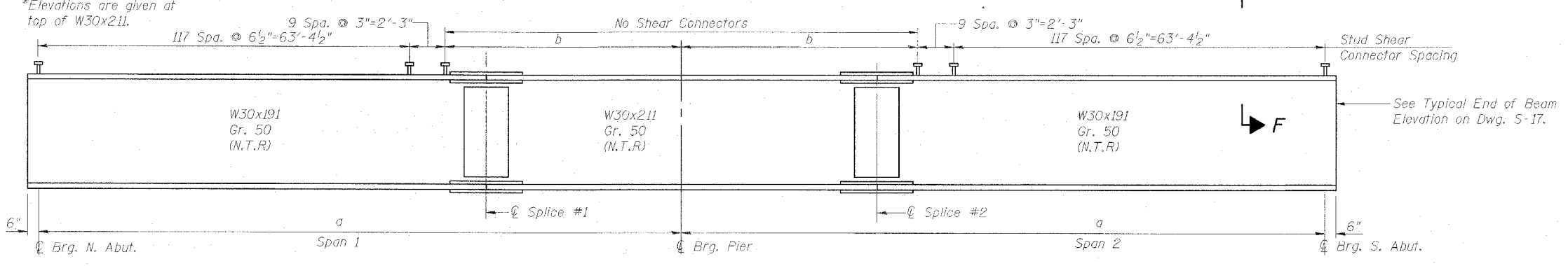
DIAPHRAGM	LENGTH
D	7'-2"
D1	6'-10"
D2	6'-6 1/4"
D3	6'-2 3/8"
D4	5'-11 7/8"
D5	5'-9 7/8"
D6	5'-6 7/8"
D7	5'-2 1/4"
D8	6'-10 1/4"
D9	6'-6 1/2"
D10	6'-2 5/8"
D11	6'-0 1/2"
D12	5'-9 5/8"
D13	5'-5 7/8"
D14	5'-2"

NORTHBOUND TOP OF BEAM ELEVATIONS
(For fabrication only)

LOCATION	BEAM 1	BEAM 2	BEAM 3	BEAM 4	BEAM 5	BEAM 6	BEAM 7	BEAM 8	BEAM 9	BEAM 10	BEAM 11	BEAM 12
⊕ Brg., N. Abut.	471.451	471.600	471.750	471.899	472.048	472.198	472.321	472.431	472.519	472.194	472.045	471.896
* Splice #1	471.470	471.600	471.731	471.861	471.989	472.136	472.261	472.370	472.259	472.134	471.985	471.840
⊕ Pier	471.454	471.573	471.699	471.824	471.953	472.107	472.231	472.341	472.229	472.105	471.956	471.811
* Splice #2	471.438	471.546	471.667	471.788	471.917	472.077	472.201	472.311	472.199	472.075	471.927	471.781
⊕ Brg., S. Abut.	471.356	471.457	471.559	471.661	471.762	471.912	472.037	472.147	472.036	471.912	471.764	471.615

TABLE OF DIMENSIONS

SIZER	a	b	c
1 & 4	85'-8 9/16"	20'-1 1/16"	17'-10 9/16"
2 & 3	85'-8 3/8"	20'-0 1/8"	17'-10 3/8"
5-12	85'-9"	20'-1 1/2"	17'-11"



BEAM ELEVATION

FRAMING PLAN, NORTHBOUND

INTERSTATE 57 OVER
WEST MAIN ST. (OLD IL RT. 13)
F.A.I. RT. 57 SEC. (X1-6)HBK-2
WILLIAMSON COUNTY
STATION 1529+96.11
STRUCTURE NO. 100-0084 (N.B.)
STRUCTURE NO. 100-0085 (S.B.)

DESIGN FIRM REGISTRATION No. 184-000450
1817 SOUTH NEIL STREET
SUITE 100
CHAMPAIGN, IL 61820
PHONE : 217.373.8900
FAX : 217.373.8923

NOTE: DIMENSIONAL DATA IS NOT TO BE OBTAINED BY SCALING ANY PORTION OF THIS DRAWING.

DESIGNED BY: SMM PROJECT NO: 102314
DRAWN BY: MEW DATE: 05/28/06
CHECKED BY: SLD
APPROVED BY: SMM
ACTIVITY: INITIALS

DRAWING NUMBER
S-16