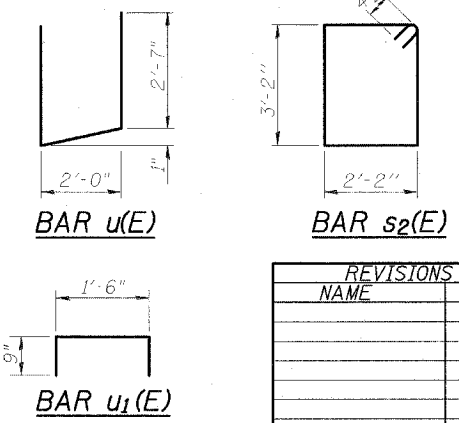
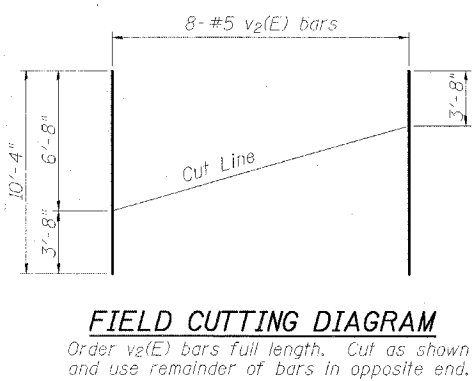
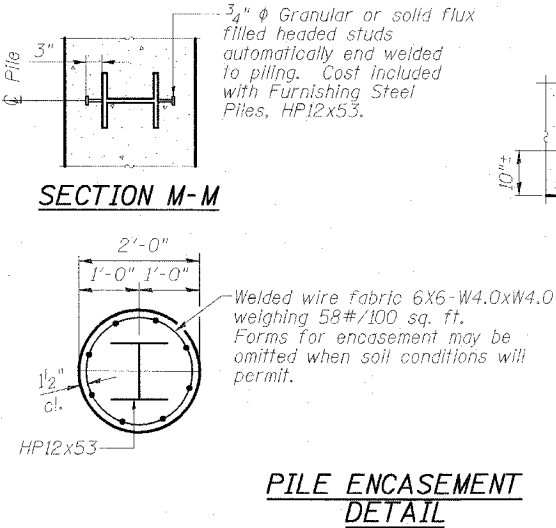
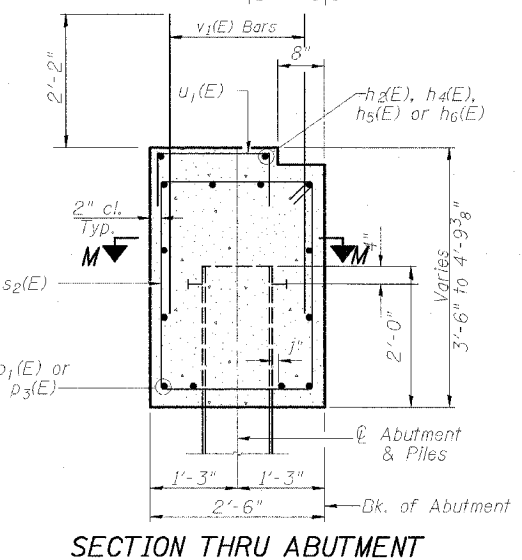
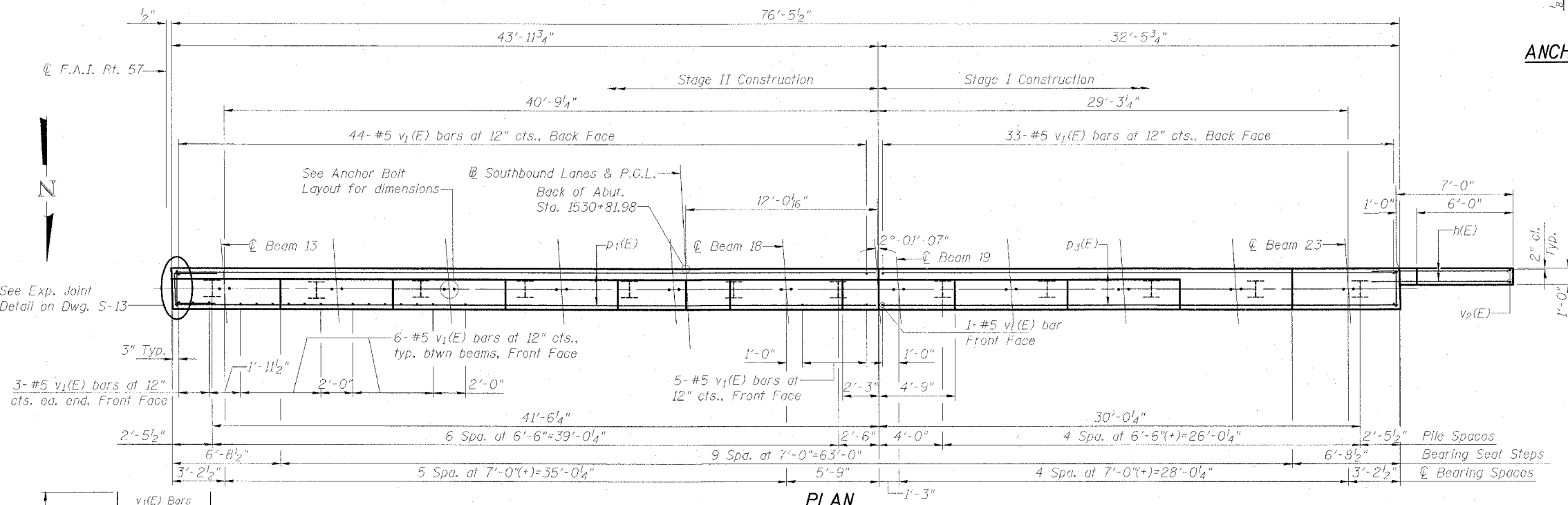
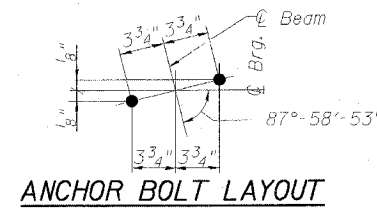
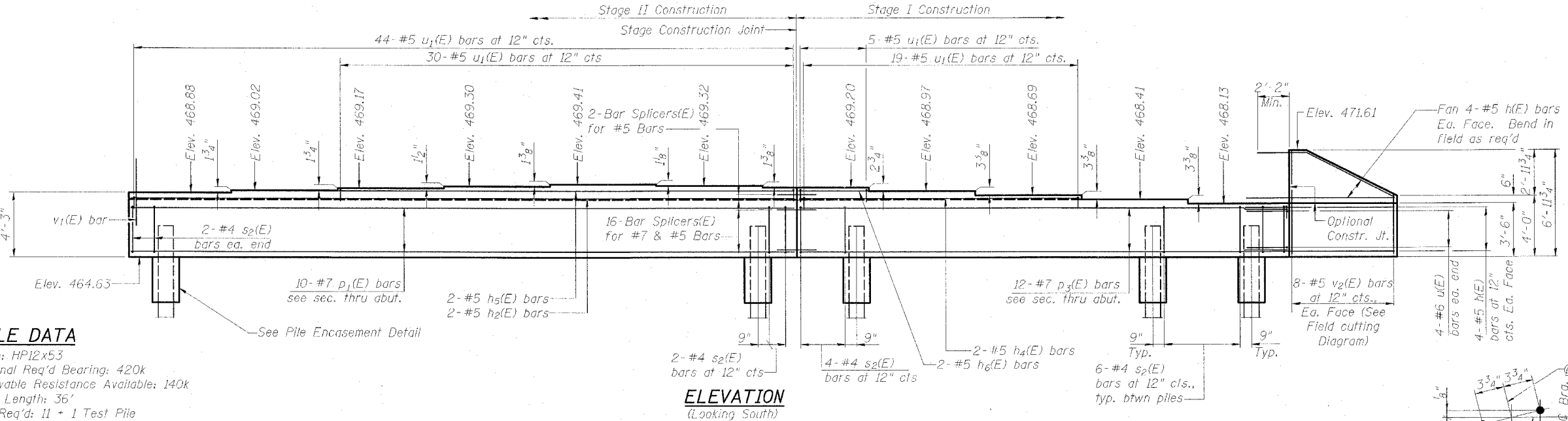


- NOTES**
- Four steps monolithically with cap.
 - The Steel H-Piles shall be according to AASHTO M270 Grade 50.
 - The test pile shall be driven to 110 percent of the Nominal Required Bearing indicated in the pile data information.

SOUTHBOUND SOUTH ABUTMENT BILL OF MATERIAL

| Bar No. | Size | Length | Shape |
|----------------------------------|------|----------|---------|
| h(E) | 16 | #5 | 9'-8" |
| h ₂ (E) | 2 | #5 | 43'-7" |
| h ₄ (E) | 2 | #5 | 18'-5" |
| h ₅ (E) | 2 | #5 | 29'-11" |
| h ₆ (E) | 2 | #5 | 4'-5" |
| p ₁ (E) | 12 | #7 | 43'-7" |
| p ₃ (E) | 12 | #7 | 32'-1" |
| s ₂ (E) | 70 | #4 | 11'-5" |
| u(E) | 8 | #6 | 7'-2" |
| u ₁ (E) | 98 | #5 | 3'-0" |
| v ₁ (E) | 143 | #5 | 4'-4" |
| v ₂ (E) | 8 | #5 | 10'-4" |
| Concrete Structures | | Cu. Yds. | 32.1 |
| Reinforcement Bars, Epoxy Coated | | Pound | 3,880 |
| Structure Excavation | | Cu. Yds. | 161 |
| Furnishing Steel Piles, HP12x53 | | Foot | 396 |
| Driving Piles | | Foot | 396 |
| Test Pile Steel HP12x53 | | Each | 1 |
| Bar Splicers | | Each | 16 |
| Concrete Encasement | | Cu. Yds. | 4.2 |

PILE DATA
 Type: HP12x53
 Nominal Req'd Bearing: 420k
 Allowable Resistance Available: 140k
 Est. Length: 36'
 No. Req'd: 11 + 1 Test Pile



REVISIONS

| NAME | DATE |
|------|------|
| | |
| | |
| | |
| | |
| | |

SOUTH ABUTMENT, SOUTHBOUND

INTERSTATE 57 OVER WEST MAIN ST. (OLD IL RT. 13) F.A.I. RT. 57 SEC. (X1-6)HBK-2 WILLIAMSON COUNTY STATION 1529+96.11 STRUCTURE NO. 100-0084 (N.B.) STRUCTURE NO. 100-0085 (S.B.)

Clark Dietz ENGINEERS

DESIGN FIRM REGISTRATION No. 184-000450

1817 SOUTH NEIL STREET SUITE 100 CHAMPAIGN, IL 61820 PHONE : 217.373.8900 FAX : 217.373.8923

DESIGNED BY: SMM PROJECT NO: 102314
 DRAWN BY: MEW DATE: 05/2006
 CHECKED BY: SLD
 APPROVED BY: SMM
 ACTIVITY: INITIALS

DRAWING NUMBER **S-22**