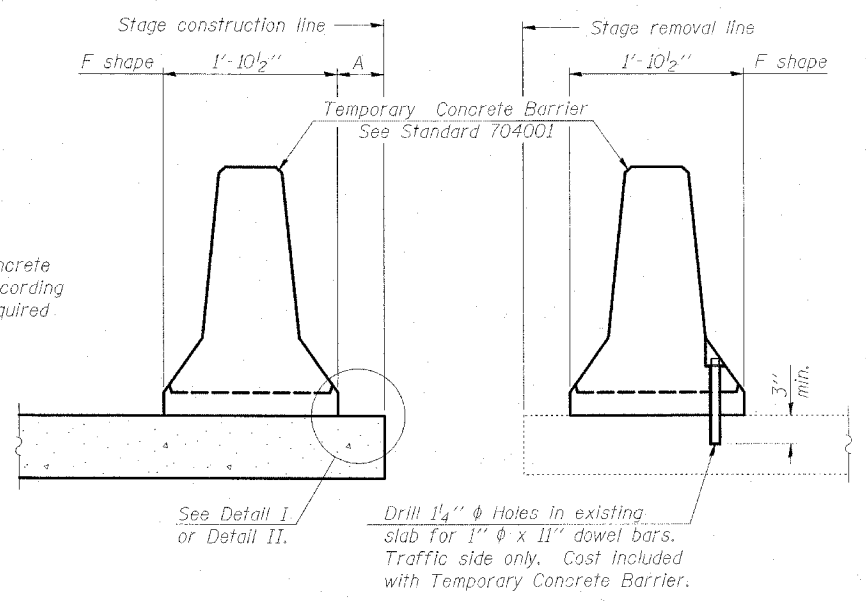


Contract #98950

NOTES

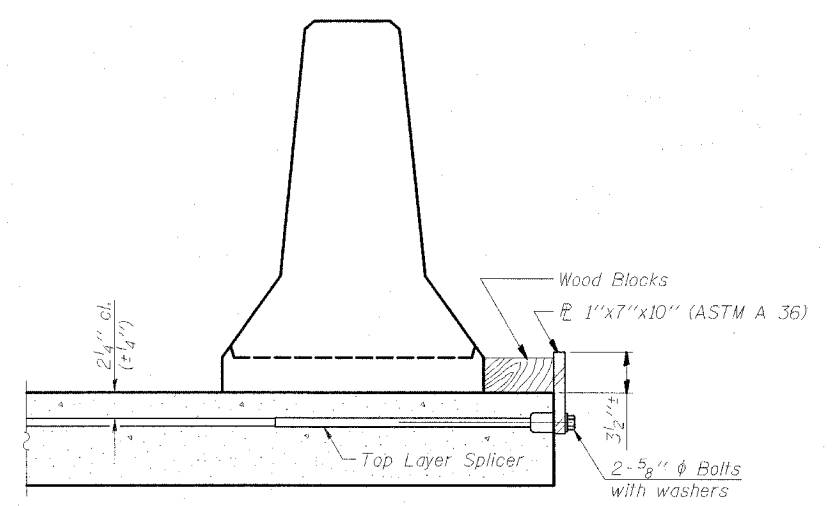
- Detail I - With Bar Splicer or Couplers:
Connect one (1) 1"x7"x10" steel \bar{P} to the top layer of couplers with 2-5/8" ϕ bolts screwed to coupler at approximate \bar{C} of each barrier panel.
- Detail II - With Extended Reinforcement Bars:
Connect one (1) 1"x7"x10" steel \bar{P} to the concrete slab with 2-5/8" ϕ Expansion Anchors or cast in place inserts spaced between the top layer of reinforcement at approximate \bar{C} of each barrier panel.
- Cost of anchorage is included with Temporary Concrete Barrier.

When "A" is 3'-6" or less, the temporary concrete barrier shall be anchored to the new slab according to Detail I or Detail II. No anchorage is required when "A" is greater than 3'-6".



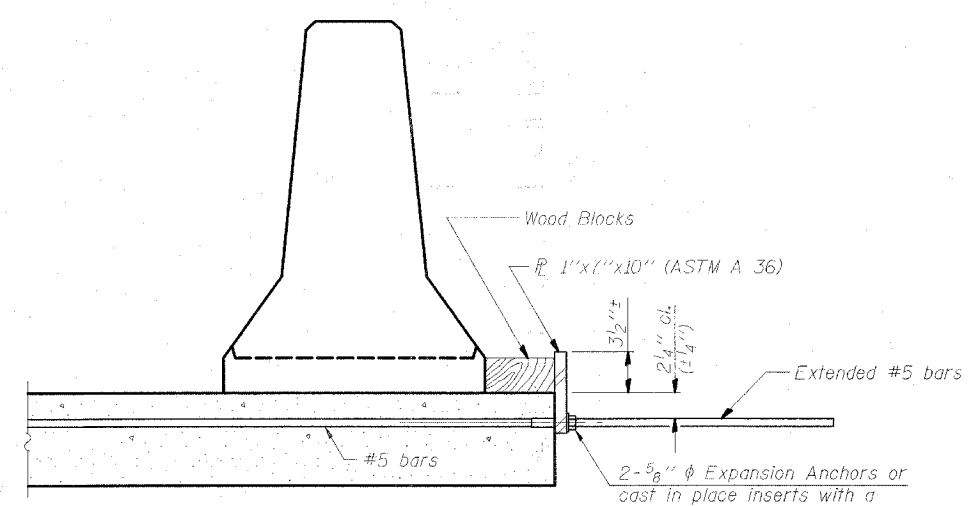
NEW SLAB EXISTING SLAB

SECTIONS THRU SLAB



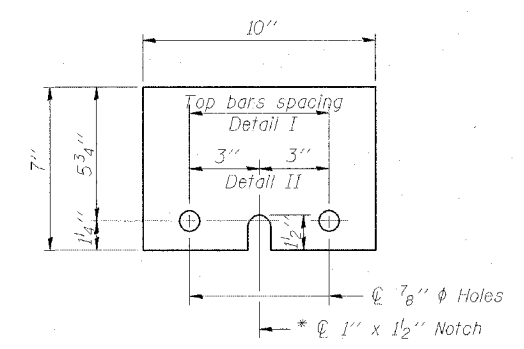
DETAIL I

The 1"x7"x10" Plate shall not be removed until Stage II Construction forms and reinforcement bars are in place.



DETAIL II

The 1"x7"x10" Plate shall not be removed until Stage II Construction forms and all reinforcement bars are in place and the concrete is ready to be placed.



1"x7"x10"

* Required only with Detail II

R-27

TEMPORARY CONCRETE BARRIER FOR STAGE CONSTRUCTION

INTERSTATE 57 OVER
WEST MAIN ST. (OLD IL RT. 13)
F.A.I. RT. 57 SEC. (X1-6)HBK-2
WILLIAMSON COUNTY
STATION 1529+96.11
STRUCTURE NO. 100-0084 (N.B.)
STRUCTURE NO. 100-0085 (S.B.)

DESIGN FIRM REGISTRATION
No. 184-000450

Clark Dietz
ENGINEERS

1817 SOUTH NEIL STREET
SUITE 100
CHAMPAIGN, IL 61820
PHONE : 217.373.8900
FAX : 217.373.8923

NOTE: DIMENSIONAL DATA IS NOT TO BE OBTAINED BY SCALING ANY PORTION OF THIS DRAWING.

DRAWING NUMBER
S-28

DESIGNED BY: <u>SMM</u>	PROJECT NO: <u>102314</u>
DRAWN BY: <u>MEW</u>	DATE: <u>05/28/06</u>
CHECKED BY: <u>SLD</u>	
APPROVED BY: <u>SMM</u>	
ACTIVITY: <u>INITIALS</u>	