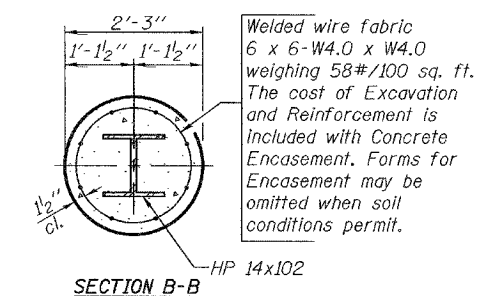
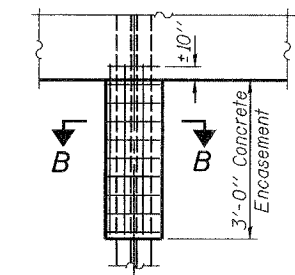
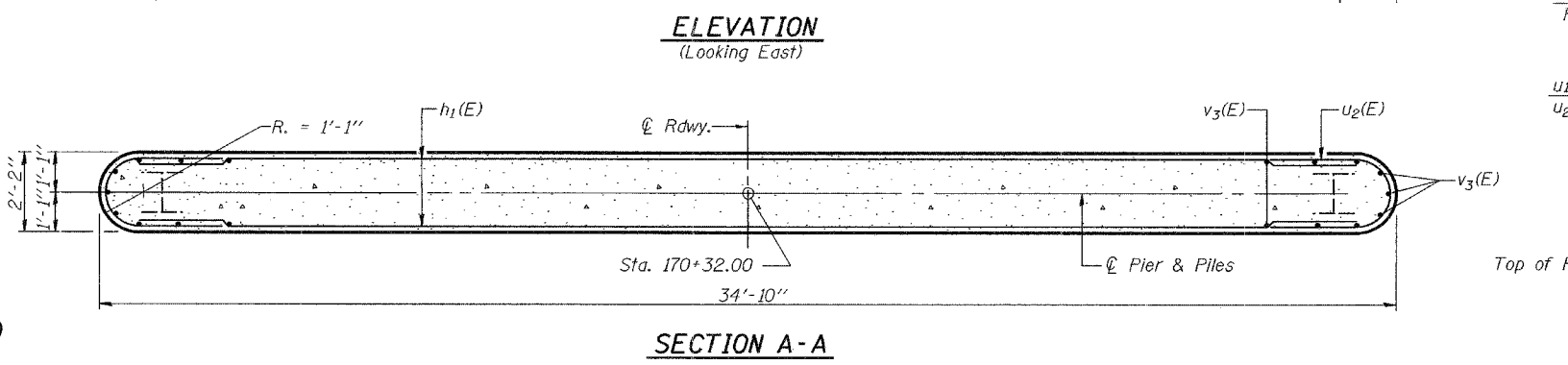
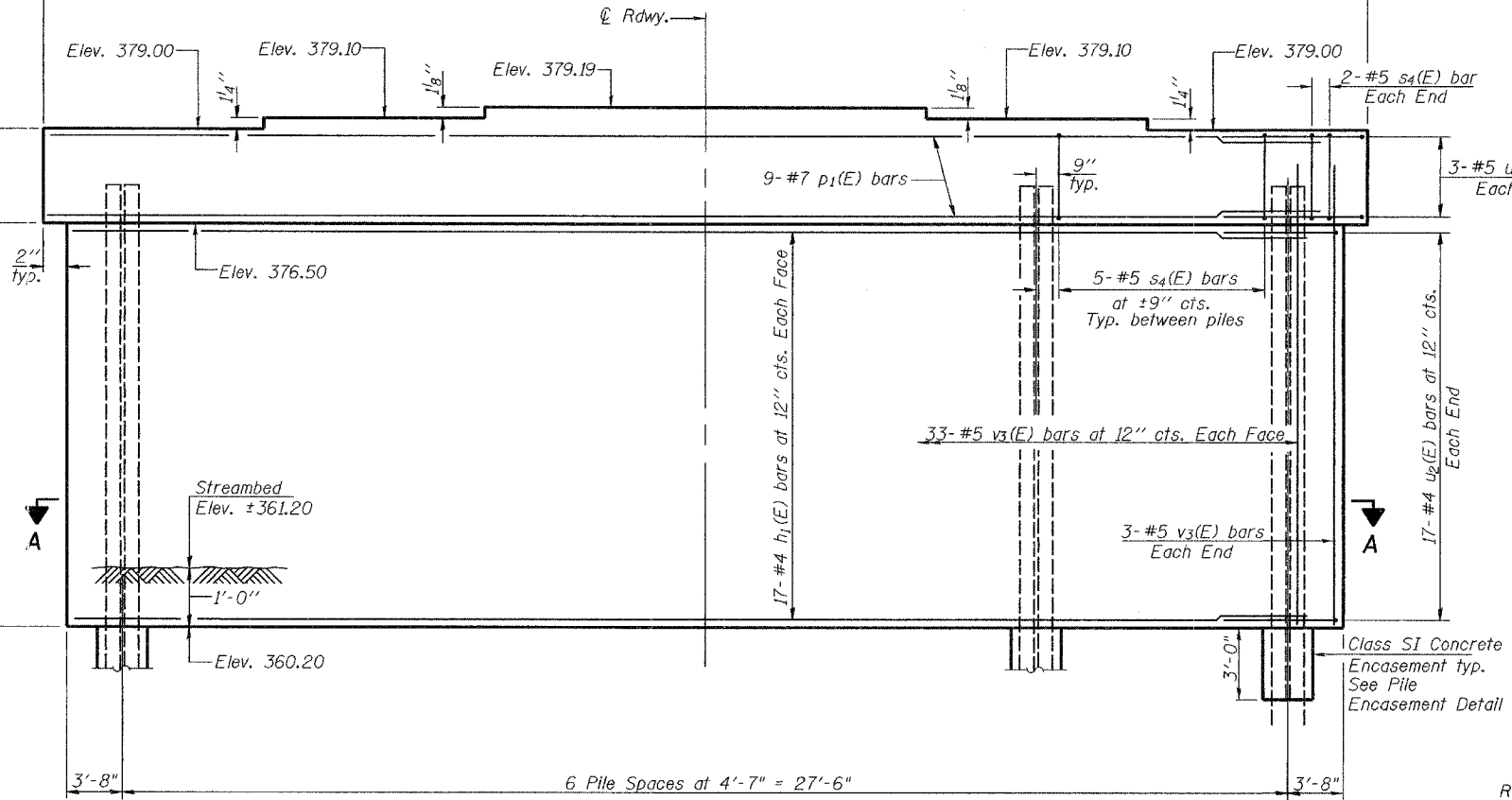
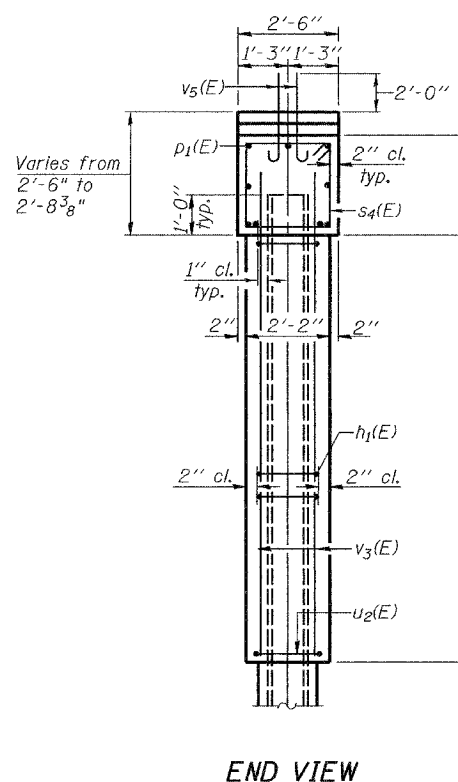
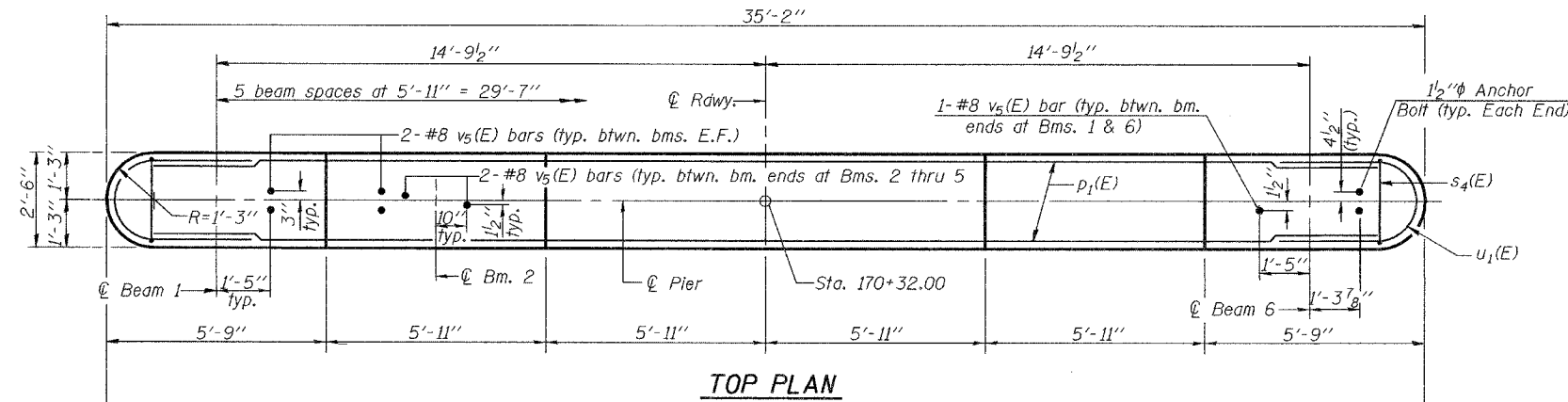


Notes: Four steps monolithically with cap.
Space reinforcement in cap to miss anchor bolts.
For anchor bolt installation details see sheet 11 of 27.

STATE OF ILLINOIS
DEPARTMENT OF TRANSPORTATION

ROUTE NO.	SECTION	COUNTY	SHEET NO.	SHEET NO.
F.A.P. 857	10IBR-6	WHITE	100	33
FED. ROAD DIST. NO. 7	ILLINOIS	FED. AID PROJECT-		

Contract #98960



PILE ENCASEMENT DETAIL

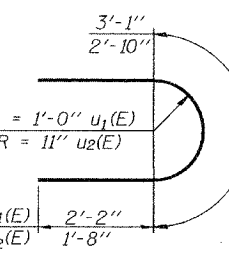
PILE DATA

Pile Type: Steel HP 14 x 102
Nominal Required Bearing: = 670 kips
Factored Resistance Available: = 335 kips
Est. Length: 68'
No. of Production Piles: 6
No. of Test Piles: 1

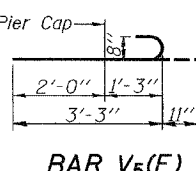
BILL OF MATERIAL

Bar	No.	Size	Length	Shape
h ₁ (E)	34	#4	32'-6"	—
p ₁ (E)	9	#7	32'-8"	—
s ₄ (E)	29	#5	9'-7"	□
u ₁ (E)	6	#5	7'-5"	U
u ₂ (E)	34	#4	6'-2"	U
v ₃ (E)	72	#5	17'-6"	—
v ₅ (E)	30	#8	4'-2"	—
Concrete Structures		Cu. Yd.	53.1	
Reinforcement Bars, Epoxy Coated		Pound	3460	
Furnishing Steel Piles HP14x102		Foot	408	
Driving Piles		Foot	408	
Test Piles Steel HP14x102		Each	1	
Structure Excavation		Cu. Yd.	53.2	
Underwater Structure Excavation Protection Location 1		Each	1	
Concrete Encasement		Cu. Yd.	2.9	

BAR s₄(E)



BARS u₁(E) & u₂(E)



PIER 1
F.A.P. RT. 857 SEC. 10IBR-6
WHITE COUNTY
STATION 171+58.50
STRUCTURE NO. 097-0071

DESIGNED W. A. Beisner
CHECKED Fesseha Teklehaimanot
DRAWN R. Sommer
CHECKED WAB/FT

December 4, 2006
EXAMINED Thomas J. Demagalaki
PASSED Ralph E. Carlson