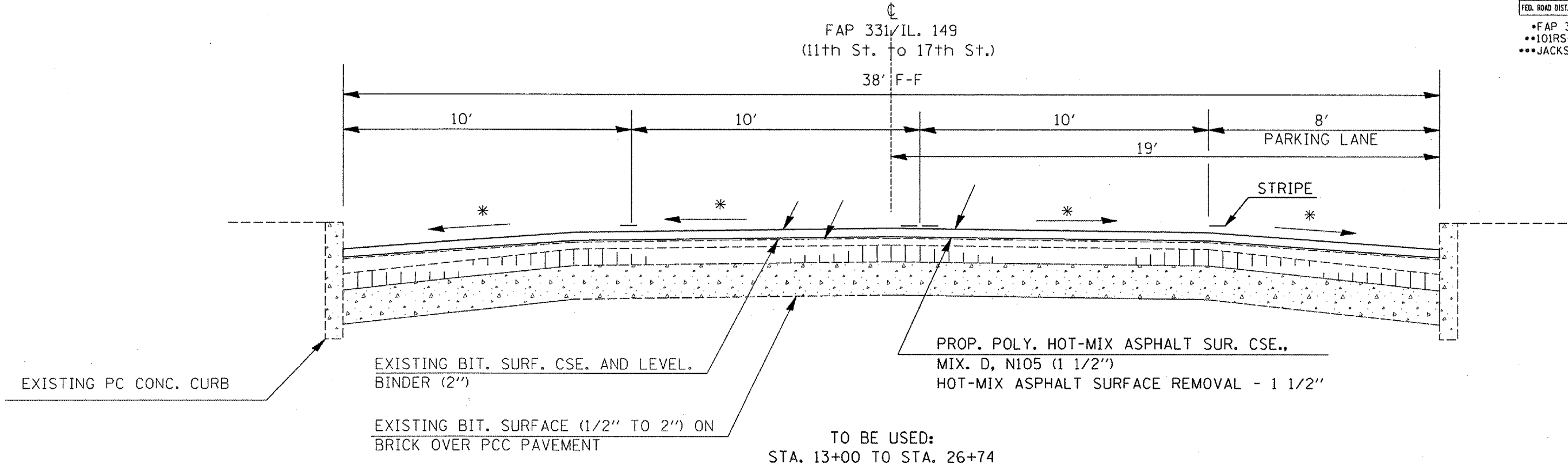
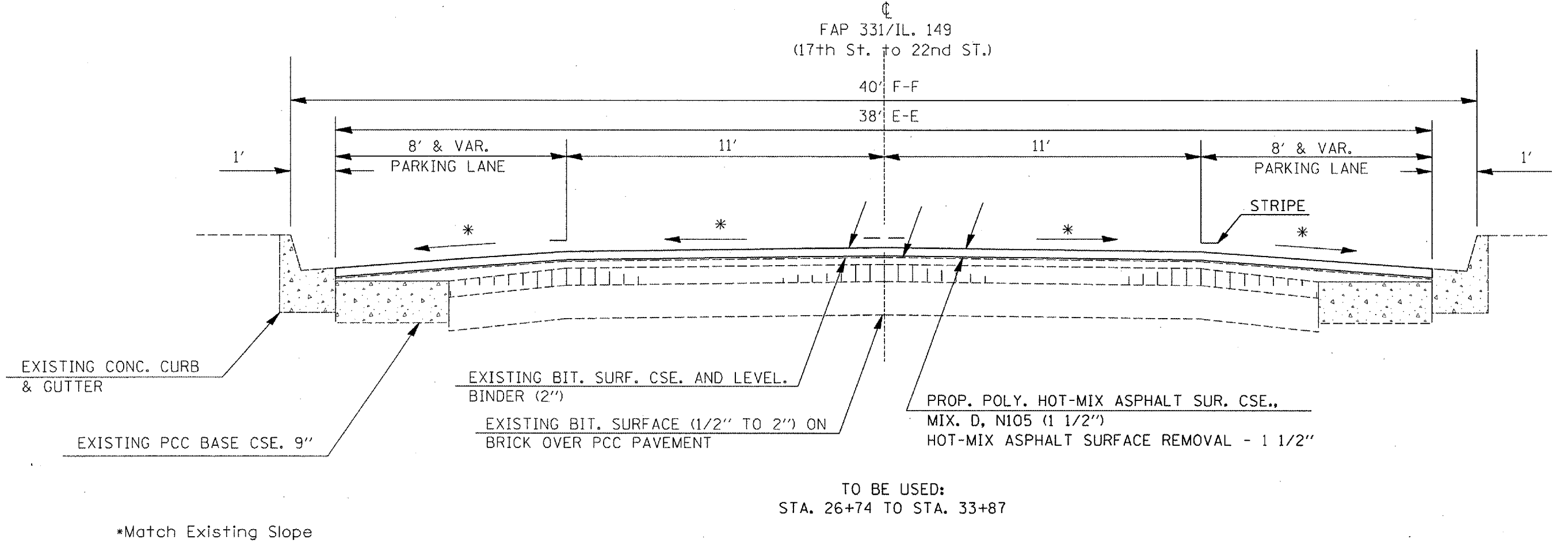


F.A.P. RTE.	SECTION	COUNTY	TOTAL SHEETS	SHEET NO.
..	24	6
STA. _____ TO STA. _____		FED. ROAD DIST. NO. - [ILLINOIS] FED. AID PROJECT		
*FAP 331 & FAP 776 **101RS-5; (114Z)RS-3 ***JACKSON & HAMILTON				

FAP 331 (IL. 149) TYPICAL SECTIONS



*Match Existing Slope



*Match Existing Slope

PLOT DATE = 12/12/2006
 FILE NAME = \\p010101\p010101\p010101.dwg
 PLOT SCALE = 1/8" = 1'-0"
 USER NAME = mason@kbr