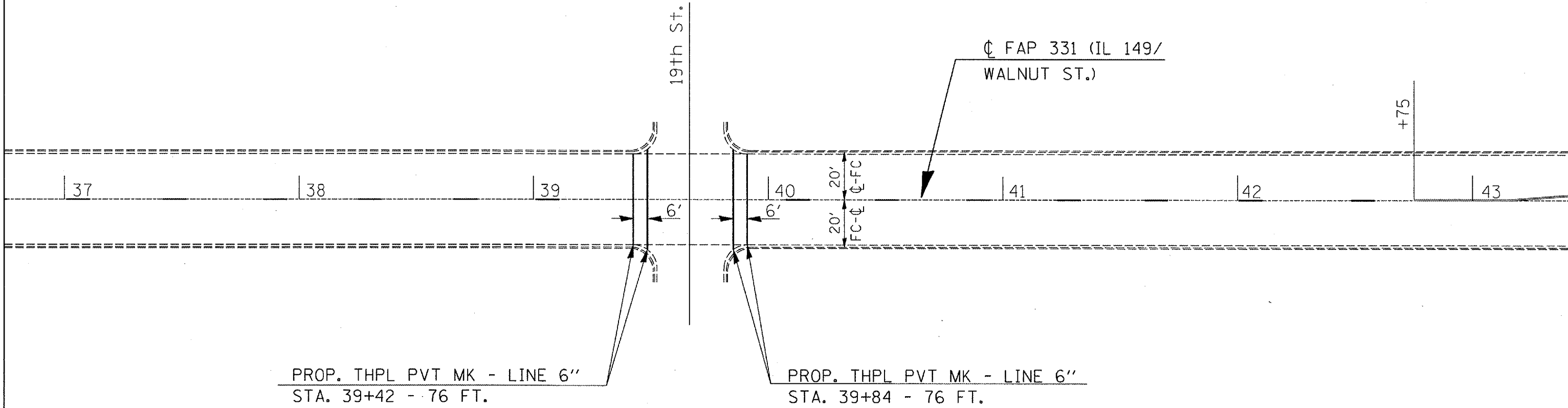


F.A. RTE.	SECTION	COUNTY	TOTAL SHEETS	SHEET NO.
..	24	18
STA. _____		TO STA. _____		
FED. ROAD DIST. NO. _____		ILLINOIS FED. AID PROJECT		

- FAP 331 & FAP 776
- 101RS-5;(1142)RS-3
- JACKSON & HAMILTON COS.

NOT TO SCALE



PROP. THPL PVT MK - LINE 6"
STA. 39+42 - 76 FT.

PROP. THPL PVT MK - LINE 6"
STA. 39+84 - 76 FT.

PLOT DATE = 12/12/2005
FILE NAME = H:\Projects\98987\98987.plt
PLOT SCALE = 42,352" / IN.
USER NAME = mrcor-04