

F.A. RTE.	SECTION	COUNTY	TOTAL SHEETS	SHEET NO.
..*	..*	..*	24	20
STA. _____		TO STA. _____		
FED. ROAD DIST. NO. _____		ILLINOIS FED. AID PROJECT		

- FAP 331 & FAP 776
- 101RS-5;(114Z)RS-3
- JACKSON & HAMILTON COS.

NOT TO SCALE

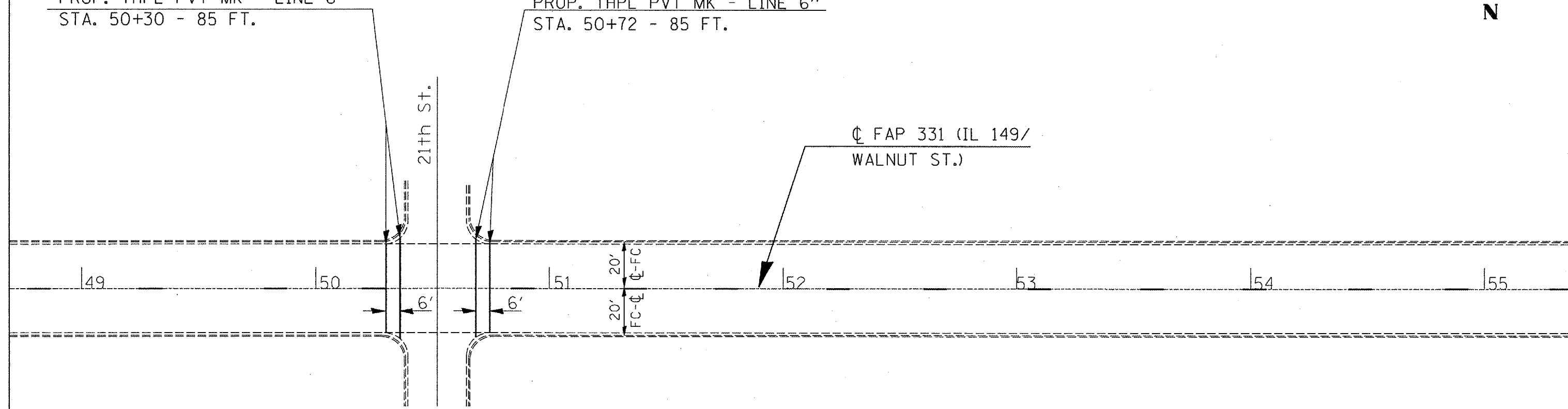


PROP. THPL PVT MK - LINE 6"
STA. 50+30 - 85 FT.

PROP. THPL PVT MK - LINE 6"
STA. 50+72 - 85 FT.

☉ FAP 331 (IL 149/
WALNUT ST.)

21th St.



PLOT DATE : 12/12/2006
 FILE NAME : c:\projects\98987\98987.dwg
 PLOT SCALE : 42.3529' / IN.
 USER NAME : mcorridor