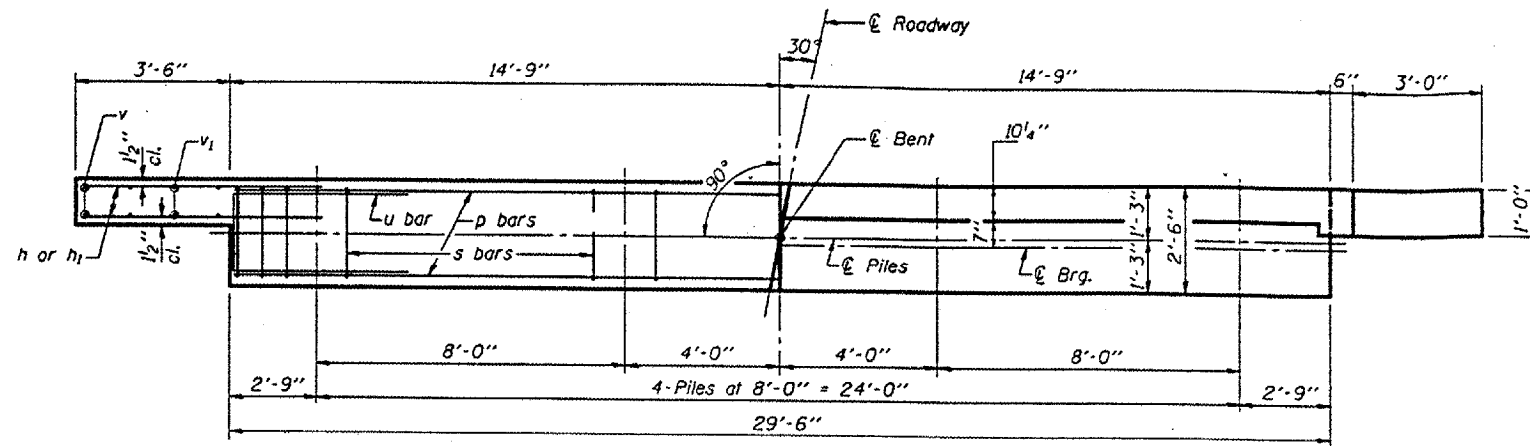
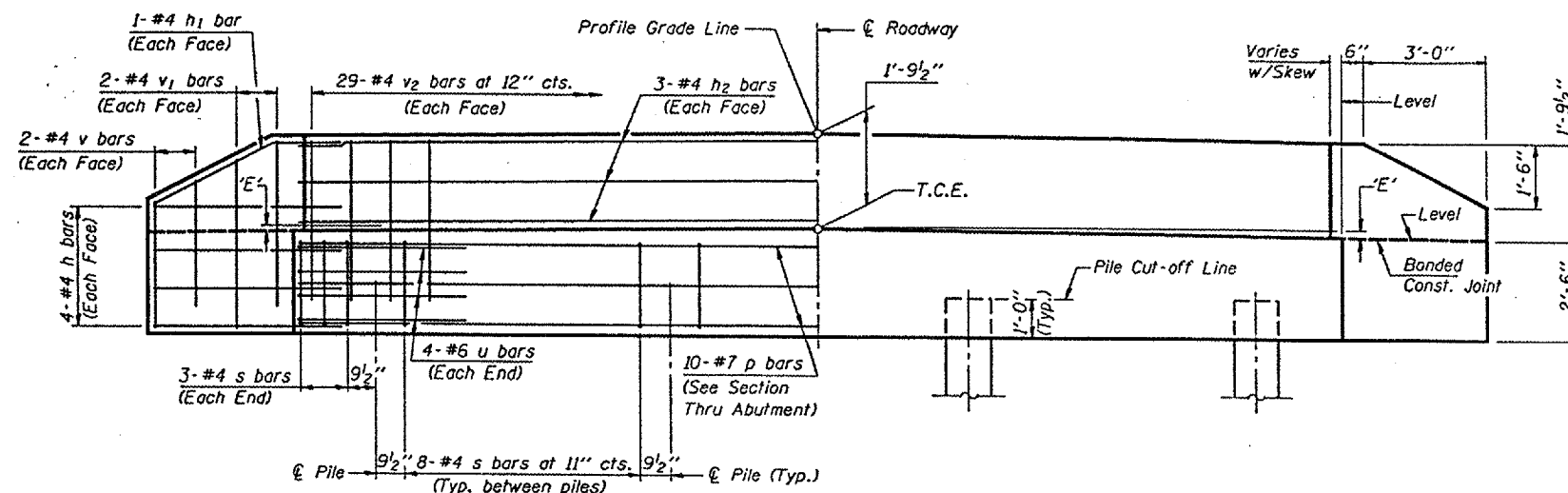


ROUTE	SECTION	COUNTY	TOTAL SHEETS	SHEET NO.
TR 110	83-01171-00-BR	MASSAC	15	9
PROJECT NO. BR-OS-127(12)			CONTRACT NO. 98282	



PLAN
(D=Designated Skew Angle)



ELEVATION

DIMENSION 'E'

GRADE	'D'=30°	
	UPGRADE END	DOWNGRADE END
0%	2 3/8"	2 3/8"
Over 0% to 1%	2"	2 1/8"
Over 1% to 2%	1"	3 3/4"
Over 2% to 3%	1/8"	4 5/8"
Over 3% to 4%	—	—

DESIGNED	JSB
CHECKED	JFS
DRAWN	SMS
CHECKED	JSB

NOTES

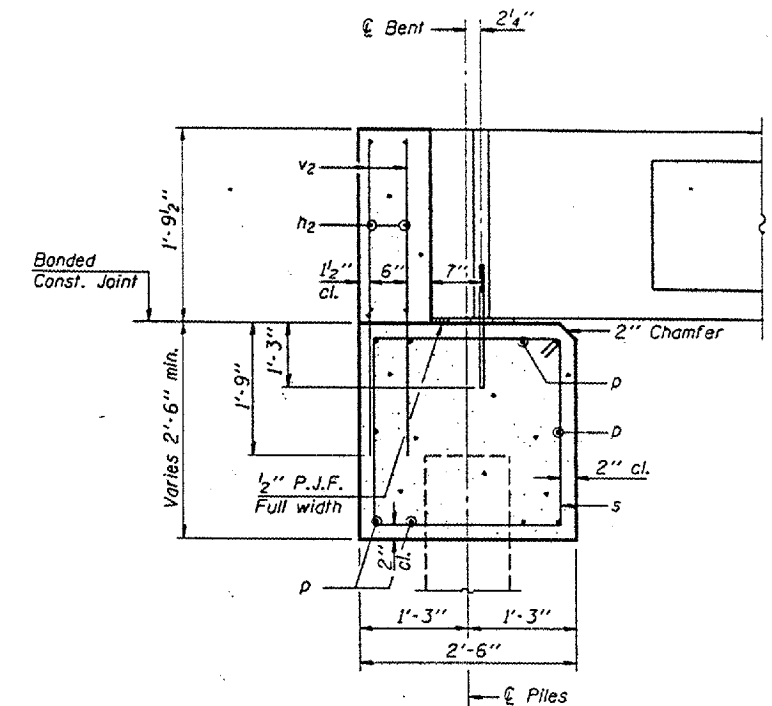
- The Backwall and the portion of the Wingwalls above the bonded construction joint shall be cast against the in-place beam.
- Reinforcement bars shall conform to the requirements of IL Modified ASTM A706, Grade 60.
- Space reinforcement in cap to miss anchor bolts.

MAXIMUM PILE LOADS

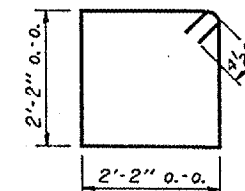
SPAN	TONS
30'	27
50'	37

DESIGN STRESSES

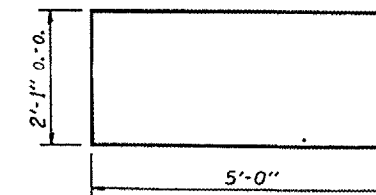
$f'_c = 3,500$ psi
 $f_y = 60,000$ psi



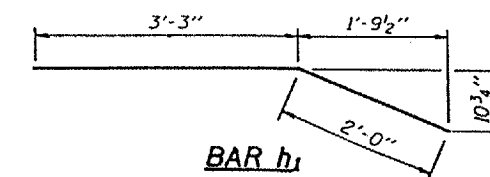
SECTION THRU ABUTMENT
(At Right Angles)



BAR s



BAR u



BAR h1

BILL OF MATERIAL FOR ONE ABUTMENT

Bar	No.	Size	Length	Shape
h	16	#4	5'-0"	—
h1	4	#4	5'-3"	—
h2	6	#4	29'-2"	—
p	10	#7	29'-2"	—
s	30	#4	9'-5"	□
u	8	#6	12'-1"	□
v	8	#4	2'-8"	—
v1	8	#4	3'-8"	—
v2	58	#4	3'-5"	—
Concrete Structures			10.1 Cu. Yds.	
Reinforcement Bars			1280 Pound	

ABUTMENTS
TOWNSHIP ROUTE 110
SEVENMILE CREEK
SECTION 83-01171-00-BR
MASSAC COUNTY