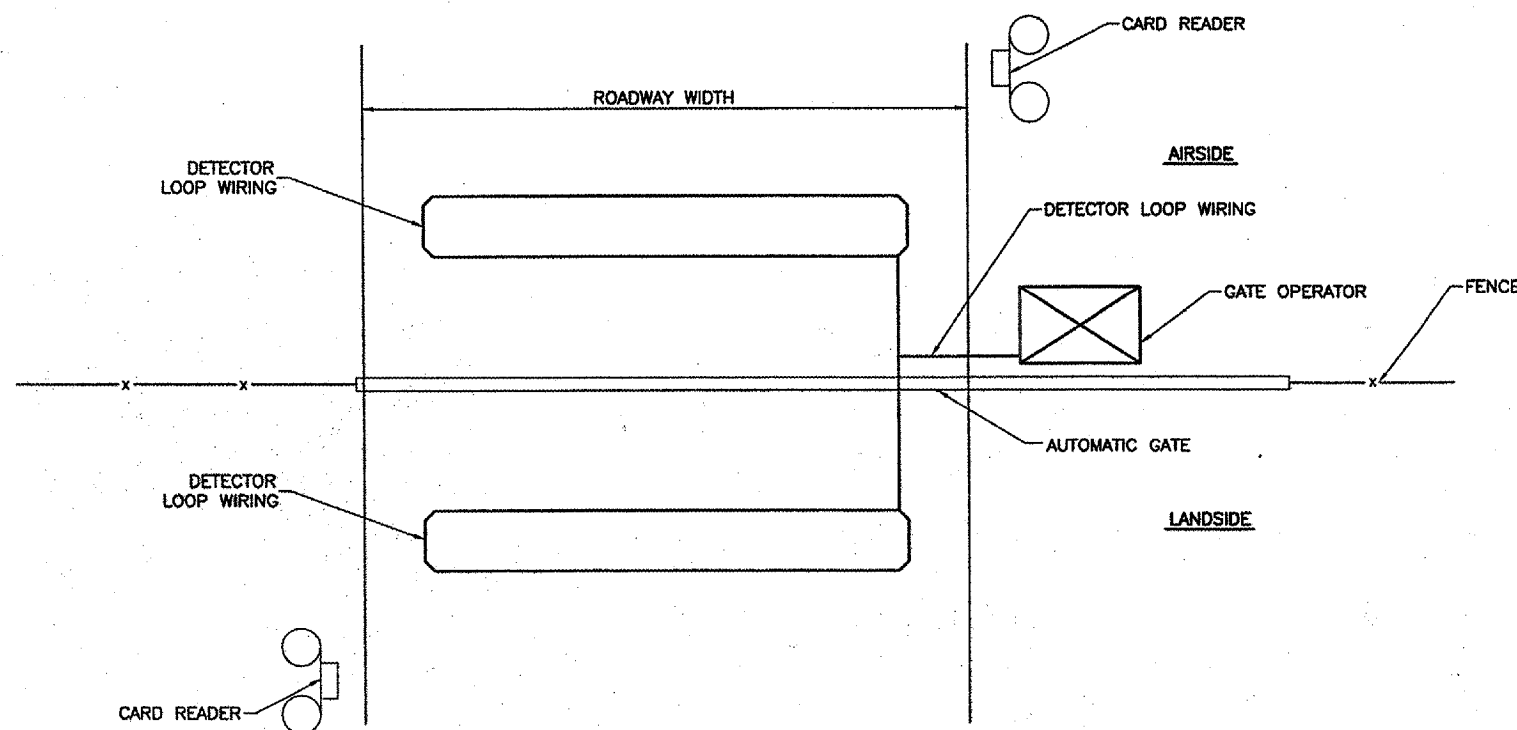


IMAGE FILES:

REVISIONS

NUMBER	BY	DATE

0 1 2  
 THIS BAR IS EQUAL TO 2"  
 AT FULL SCALE (34X22).



TYP. GATE PLAN  
 N.T.S.

NOTE: LOCATIONS, DETAILS AND CHARACTER OF EQUIPMENT SHOWN ON THIS SHEET ARE GENERIC. EQUIPMENT LOCATION SHALL BE AS RECOMMENDED BY THE EQUIPMENT MANUFACTURER.

SUMMARY OF OPERATION

1. THE GATES SHALL HAVE AN AUTOMATIC GATE OPERATOR WITH TWO PROXIMITY CARD READERS AND REMOTE GATE OPEN CONTROL FROM ACCESS CONTROLLER IN MAINTENANCE BLDG. ONCE THE GATE IS OPENED IT WILL REMAIN OPEN FOR THE TIME SPECIFIED BY THE OWNER AFTER THE LOOP PICKUPS DETERMINE THAT THERE ARE NO VEHICLES OVER THE PICKUP LOOPS.
2. ACTUATING THE GATE OPENS VIA THE CARD READER REQUIRES THE VEHICLE TO APPROACH THE GATE ENTRANCE AND STOP. THE DRIVER ACTIVATES THE GATE OPERATOR BY SWEEPING HIS CARD. THE ACCESS CONTROL DEVICE TRANSMITS AN IMPULSE TO ACTIVATE THE GATE OPERATOR TO OPEN THE GATE. AFTER THE GATE IS FULLY OPENED AND STOPPED, THE VEHICLE PROCEEDS THROUGH THE OPENING, PASSING OVER THE LOOPS. WHILE THE VEHICLE IS IN THE LOOP SENSING RANGE, AN IMPULSE IS TRANSMITTED TO THE GATE OPERATOR TO HOLD THE GATE IN THE OPEN POSITION. WHEN THE LOOP HAS BEEN CLEARED, THE AUTOMATIC TIMER IS ACTIVATED AND, WHEN THE USER-DETERMINED TIME HAS ELAPSED, IT WILL ACTIVATE THE GATE OPERATOR TO CLOSE THE GATE.

NOTES

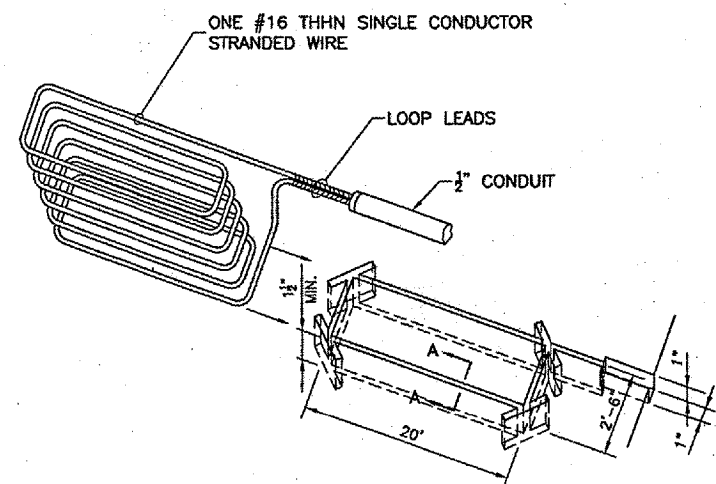
1. LOOP LEADS ARE LIMITED TO 100 FEET.
2. LOOP LEADS MUST HAVE FOUR (4) TWISTS PER FOOT.
3. LOOP AND LOOP LEADS MUST BE LOCATED, AT LEAST, 18" FROM ANY ELECTRICAL POWER SERVICE OR STEEL REINFORCEMENT.
4. LOOP LEADS MUST BE IN SEPARATE CONDUIT BETWEEN LOOP AND DETECTOR. THEY MUST NOT SHARE CONDUIT WITH OTHER WIRING OR LEADS FROM OTHER LOOPS.
5. WIRE SHALL BE #16 THHN SINGLE CONDUCTOR STRANDED WIRE.
6. ALL WIRE SHALL BE CONTINUOUS WITHOUT SPLICING.

**CAUTION:**

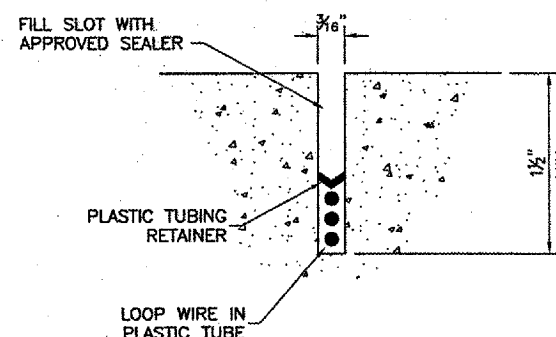
- DO NOT SPLICE WIRE.
- DO NOT FRACTURE WIRE INSULATION. LOOPS SHORTED TO GROUND WILL CAUSE DETECTOR MALFUNCTION. WHEN PLACING WIRE IN THE SLOT, DO NOT USE SCREWDRIVER OR OTHER SHARP TOOLS.

**TYPICAL LAYOUT FOR LOOP:**

- SAW SLOT 3/16" WIDE x 1-1/2" DEEP. MAKE RECTANGULAR SHAPE TO SPECIFIED LOOP DIMENSIONS PLUS SLOT FOR LEAD CONDUIT.
- GROUT WITH NO. 202 WEATHERBAN SEALANT (A PRODUCT OF 3M CO.) OR APPROVED EQUIVALENT ... (EXAMPLE: DE WITTS NO. 99 BLACK MASTIC CAULK).



PERSPECTIVE VIEW OF  
 DETECTOR LOOP SAW SLOT



SECTION A-A

DETECTOR LOOP DETAILS  
 N.T.S.

BLOOMINGTON-NORMAL AIRPORT AUTHORITY  
 CENTRAL ILLINOIS REGIONAL AIRPORT  
 BLOOMINGTON, ILLINOIS  
 UPGRADE PERIMETER FENCE PHASE 1  
 NEW ELECTRIC GATE DETAILS 3

© Copyright GMT, Inc.  
**GMT**  
 CRAWFORD, MURPHY & TILLY, INC.  
 CONSULTING ENGINEERS  
 License No. 184-000613

DESIGN BY: CBG  
 DRAWN BY: GMT  
 CHECKED BY: RW  
 APPROVED BY: RW  
 DATE: 1/12/2007  
 JOB No: 06085-03-00  
 ILLINOIS PROJECT BMI-3653  
 A.I.P. PROJECT 3-17-0006-47