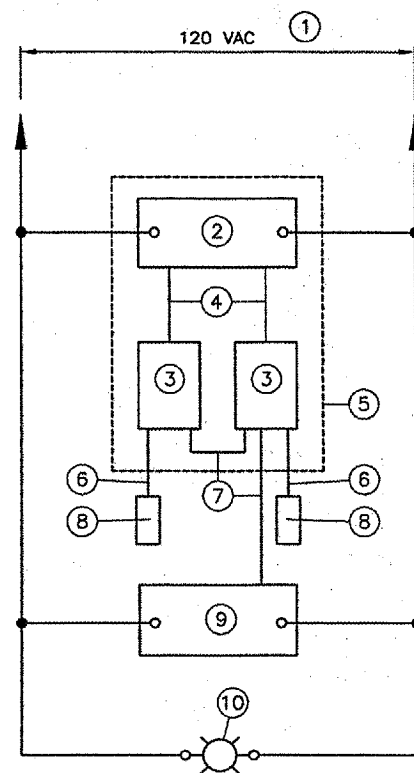
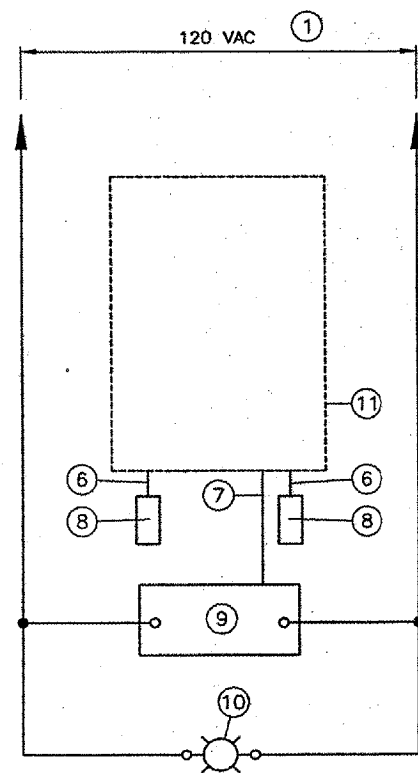


GATE POWER AND CONTROL BLOCK DIAGRAM NOMENCLATURE

- ① 120V POWER WIRING FROM EXISTING PANELBOARD CIRCUIT BREAKER. SEE ELECTRICAL GATE SITE PLAN FOR WIRE AND CONDUIT SIZES.
- ② WIRELESS CARD READER INTERFACE POWER SUPPLY.
- ③ WIRELESS CARD READER INTERFACE.
- ④ 2/C #14 SHIELDED CABLE (12VDC POWER).
- ⑤ (INSIDE HANGAR) NEMA 4X STAINLESS STEEL, HINGED COVER ENCLOSURE, HOFFMAN, OR EQUIVALENT, SIZED AS REQUIRED TO HOUSE EQUIPMENT.
- ⑥ 6-CONDUCTOR #18 SHIELDED CABLE (CONTRACTOR SHALL VERIFY WITH CARD READER SUPPLIER).
- ⑦ 2/C #14 SHIELDED CABLE (GATE OPEN CONTROL).
- ⑧ CARD READER, LOCATED AT NEW GATE.
- ⑨ NEW GATE OPERATOR.
- ⑩ EXISTING AREA LIGHT.
- ⑪ ACCESS CONTROLLER IN MAINTENANCE BLDG.



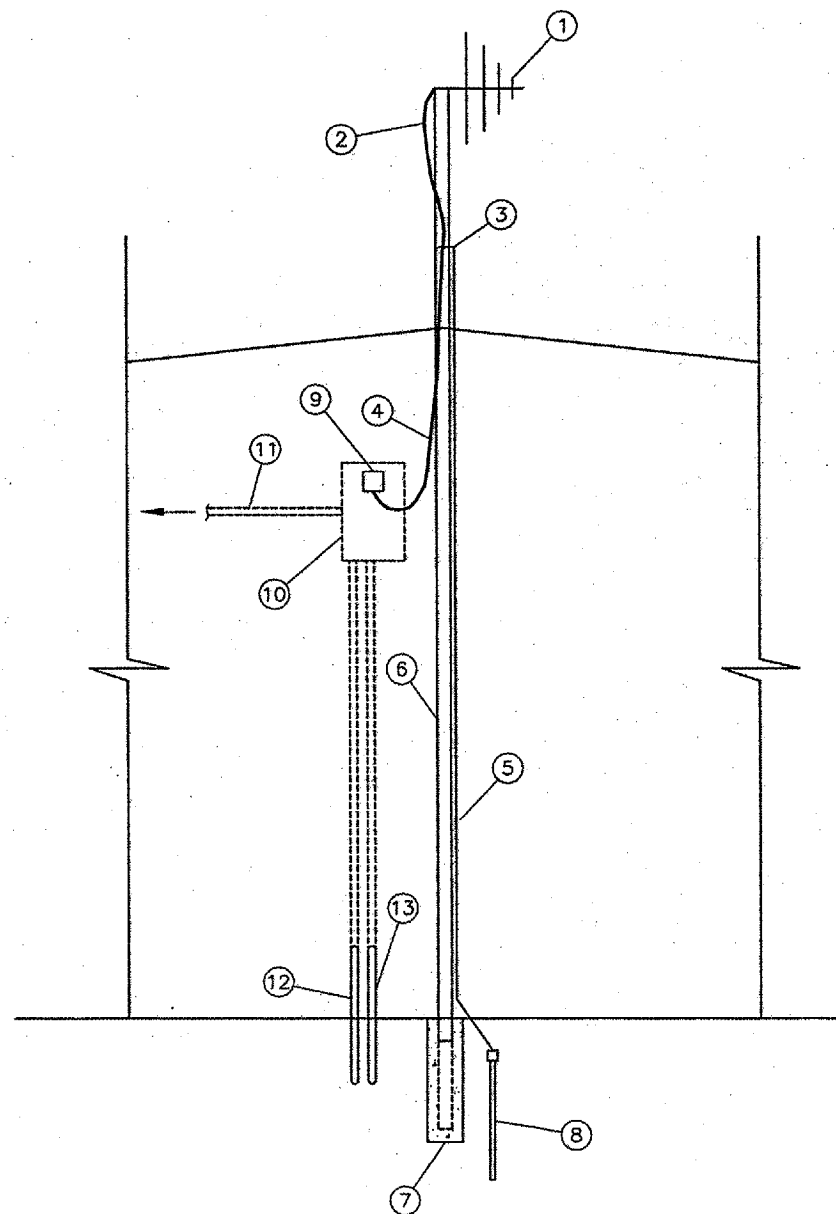
**GATE #17, #21, #27
 NEW GATE OPERATOR POWER
 AND CONTROL BLOCK DIAGRAM**
 N.T.S.



**GATE #16
 NEW GATE OPERATOR POWER
 AND CONTROL BLOCK DIAGRAM**
 N.T.S.

WIRELESS INTERFACE DETAIL NOMENCLATURE

- ① ANTENNA, SUPPLIED BY THE WIRELESS CARD READER INTERFACE SUPPLIER AND INSTALLED PER THEIR INSTRUCTIONS (TYP. OF TWO).
- ② 5-FOOT GROUNDING CONNECTION CABLE, SUPPLIED BY THE WIRELESS CARD READER INTERFACE SUPPLIER (TYP. OF TWO).
- ③ GROUNDING BLOCK SUPPLIED BY THE WIRELESS CARD READER INTERFACE SUPPLIER (TYP. OF TWO).
- ④ 15-FOOT COAXIAL CABLE SUPPLIED BY THE WIRELESS CARD READER INTERFACE SUPPLIER (TYP. OF TWO). INSTALL WITH "DRIP LOOP" AS SHOWN.
- ⑤ GROUND WIRE, INSTALLED PER WIRELESS INTERFACE SUPPLIER REQUIREMENTS.
- ⑥ ANTENNA MAST IN FOUNDATION AND ANCHORED TO HANGAR WALL, INSTALLED PER WIRELESS INTERFACE SUPPLIER REQUIREMENTS.
- ⑦ ITEM 610 CONCRETE FOUNDATION, INSTALLED PER WIRELESS INTERFACE SUPPLIER REQUIREMENTS.
- ⑧ GROUND ROD(S), INSTALLED PER WIRELESS INTERFACE SUPPLIER REQUIREMENTS. CONNECTION TO GROUND ROD(S) SHALL BE VIA EXOTHERMIC WELD, CADWELD, OR EQUIVALENT. BOLTED CONNECTIONS ARE NOT ACCEPTABLE.
- ⑨ NEMA 4X STAINLESS STEEL JUNCTION BOX, SIZED AS REQUIRED. PROVIDE TWO SEALING GROMMETS IN OPENINGS IN BOTTOM OF JUNCTION BOX FOR COAXIAL CABLE ENTRY.
- ⑩ (INSIDE HANGAR) NEMA 4X STAINLESS STEEL, HINGED COVER ENCLOSURE, HOFFMAN, OR EQUIVALENT, SIZED AS REQUIRED TO HOUSE THE FOLLOWING EQUIPMENT:
 - TWO WIRELESS CARD READER INTERFACE UNITS, ONE FOR INCOMING (LANDSIDE) CARD READER, ONE FOR OUTGOING (AIRSIDE) CARD READER.
 - WIRELESS CARD READER INTERFACE POWER SUPPLY.
 INSTALL PER WIRELESS INTERFACE SUPPLIER REQUIREMENTS.
- ⑪ 120V POWER WIRING FROM EXISTING PANELBOARD CIRCUIT BREAKER. SEE ELECTRICAL GATE SITE PLAN FOR WIRE AND CONDUIT SIZES.
- ⑫ 120V POWER WIRING TO NEW HANDHOLE FOR NEW GATE OPERATOR AND EXISTING AREA LIGHT POWER. SEE ELECTRICAL GATE SITE PLAN AND NEW GATE DETAILS FOR WIRE AND CONDUIT SIZES.
- ⑬ TWO 6-CONDUCTOR #18 SHIELDED CABLES (CARD READERS, CONTRACTOR SHALL VERIFY WITH CARD READER SUPPLIER), 2/C #14 SHIELDED CABLE (GATE OPEN CONTROL) IN 1-1/2" CONDUIT TO NEW HANDHOLE. SEE NEW GATE DETAILS FOR ADDITIONAL INFORMATION.



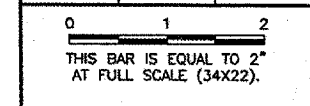
**GATE #17, #21, #27
 WIRELESS CARD READER
 INTERFACE DETAIL**
 N.T.S.

NOTES:

- 1) ONLY ONE ANTENNA IS SHOWN FOR CLARITY. HOWEVER, TWO ANTENNAS WILL BE INSTALLED ON THE ANTENNA MAST AS DIRECTED BY THE WIRELESS CARD READER INTERFACE SUPPLIER, INCLUDING TWO 5-FOOT GROUNDING CONNECTION CABLES, TWO GROUNDING BLOCKS AND TWO 15-FOOT COAXIAL CABLES.
- 2) LIGHTNING PROTECTION IS NOT SHOWN FOR CLARITY, BUT SHALL BE INSTALLED PER WIRELESS INTERFACE SUPPLIER REQUIREMENTS.
- 3) ADDITIONAL HARDWARE, EQUIPMENT AND LABOR SHALL BE SUPPLIED AS NECESSARY TO PROVIDE A COMPLETE WIRELESS CARD READER INTERFACE INSTALLATION.

IMAGE FILES: avi-1757.tif
 avi-1758.tif

REVISIONS		
NUMBER	BY	DATE



BLOOMINGTON-NORMAL AIRPORT AUTHORITY
CENTRAL ILLINOIS REGIONAL AIRPORT
BLOOMINGTON, ILLINOIS
UPGRADE PERIMETER FENCE PHASE 1
NEW ELECTRIC GATE DETAILS 4

© Copyright CMT, Inc.
CMT
 CRAWFORD, MURPHY & TILLY, INC.
 CONSULTING ENGINEERS
 License No. 984-000913

DESIGN BY:	CBG
DRAWN BY:	CMT
CHECKED BY:	RW
APPROVED BY:	RW
DATE:	1/12/2007
JOB No:	06085-03-00
ILLINOIS PROJECT BMI-3653	
A.I.P. PROJECT 3-17-0006-47	
SHEET 26 OF 26 SHEETS	