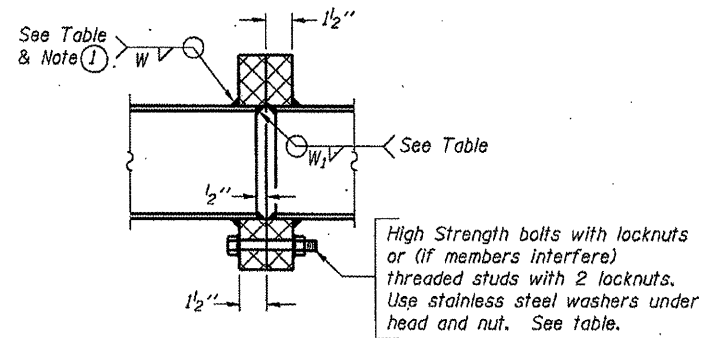
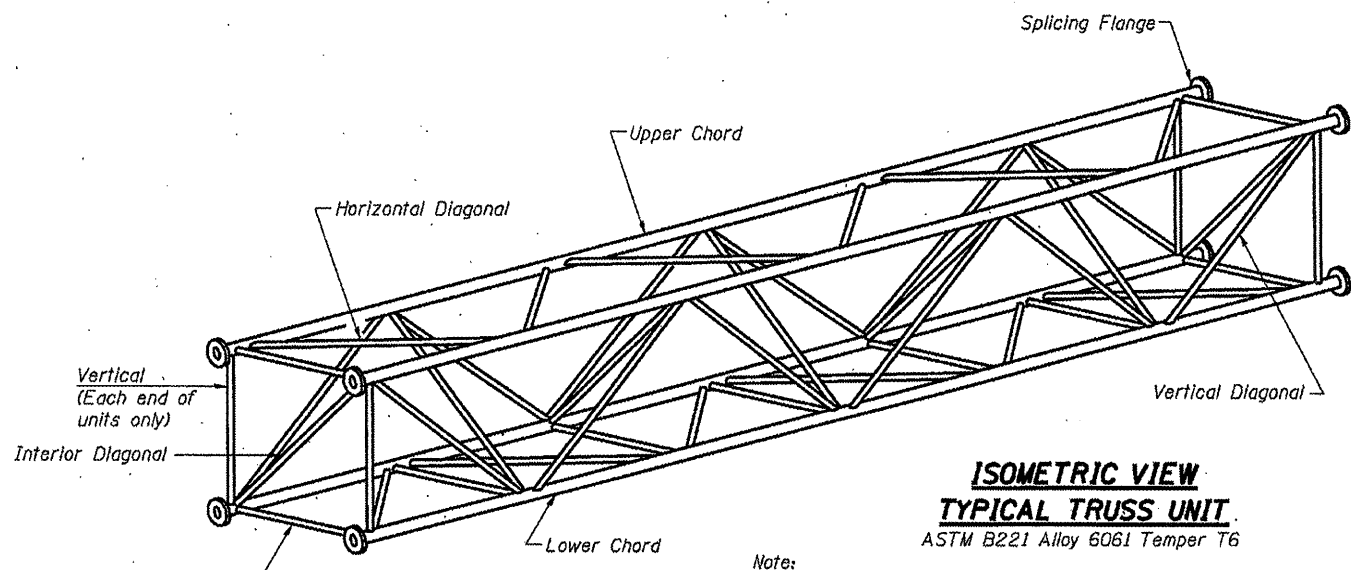


### TRUSS UNIT TABLE

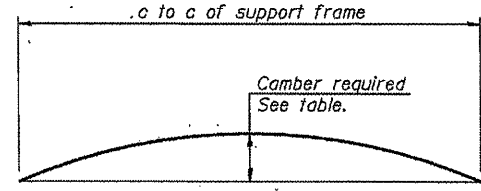
Structure Number	Station	Design Truss Type	Exterior Units (2)			Interior Unit				Upper & Lower Chord		Verticals; Horizontals; Vertical, Horizontal, and Interior Diagonals		Camber at Midspan	Splicing Flange							
			No. Panels per Unit	Unit Lgth.(L <sub>e</sub> )	Panel Lgth.(P)	No. Req'd.	No. Panels per Unit	Unit Lgth.(L <sub>i</sub> )	Panel Lgth.(P)	O.D.	Wall	O.D.	Wall		Bolts		Weld Sizes		A	B		
															No./Splice	Dia.	W	W <sub>j</sub>				
9S1001057L044.9	372+50	II-A	5	28'-4"	5'-3.5"	1	6	33'-0"	5'-3.5"	5 1/2"	5/16"	3"	5/16"	2.4"	6	1"	3/8"	1/4"	9 1/4"	12 1/4"		
9S1001057L044.6	388+90	II-A	7	39'-11.25"	5'-5.25"	1	6	33'-10.5"	5'-5.25"	7"	5/16"	3"	5/16"	3.75"	6	1"	3/8"	1/4"	11.5"	15"		



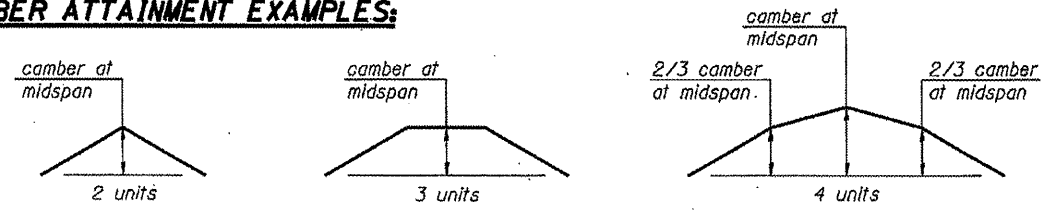
① Splicing Flanges shall be attached to each truss unit with the truss shop assembled to camber shown. Truss units shall be in proper alignment and flange surfaces shall be shop bolted into full contact before welding. Sufficient external welds or tacks shall be made to secure flanges until remaining welds are made after disassembly. Adjacent flanges shall be "match marked" to insure proper field assembly.



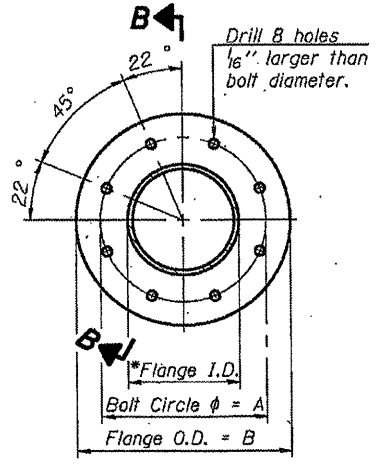
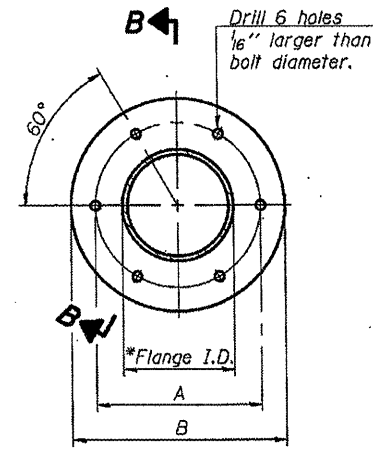
Note: Units shall be shipped individually with adequate provision to prevent detrimental motion during transport. This may require ropes between horizontals and diagonals or energy dissipating (elastic) ties to the vehicle. The Contractor is responsible for maintaining the configuration and protection of the units.



#### CAMBER ATTAINMENT EXAMPLES:



Camber shown is for fabrication only, measured with truss fully supported. (No-load condition)



OS4-A-2

1-20-11

FILE NAME =	USER NAME =	DESIGNED -	REVISED -
		CHECKED -	REVISED -
		DRAWN -	REVISED -
		CHECKED -	REVISED -

STATE OF ILLINOIS  
DEPARTMENT OF TRANSPORTATION

OVERHEAD SIGN STRUCTURES - ALUMINUM TRUSS DETAILS  
FOR TRUSS TYPES I-A, II-A AND III-A

F.A. RTE.	SECTION	COUNTY	TOTAL SHEETS	SHEET NO.
Various	0-9 DVD SIN STR REPL 12-12	Various	17	7
			CONTRACT NO. 46185	
ILLINOIS FED. AID PROJECT				