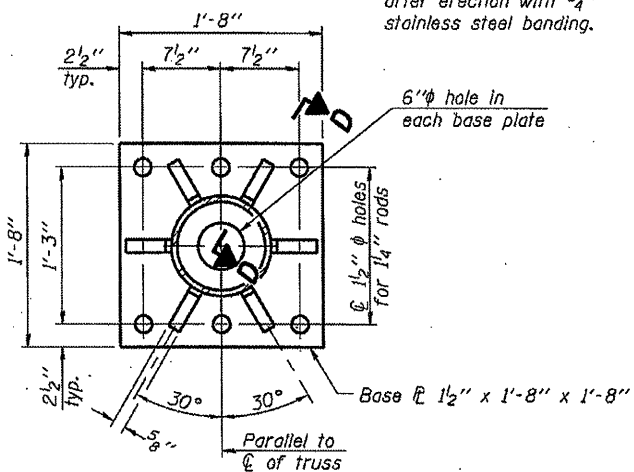


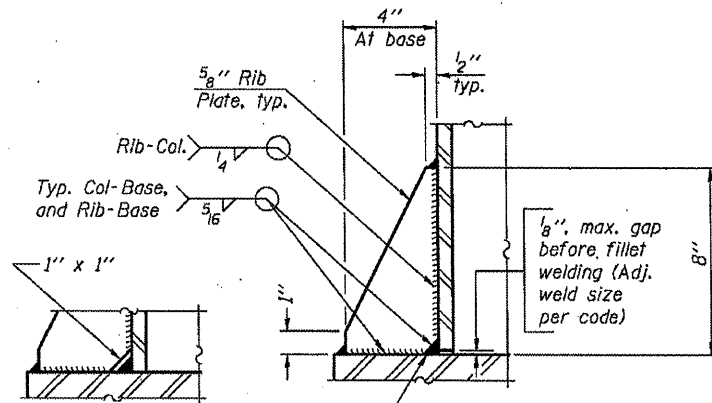
DETAIL B

Ribs shall be cut to fit slope of pipe.

Stainless Steel Standard Grade Wire Cloth, 3" wide, 1/4" maximum opening with a minimum wire diameter of AWG. No. 16 with a minimum 2" lap. Secure to base plate after erection with 3/4" stainless steel banding.

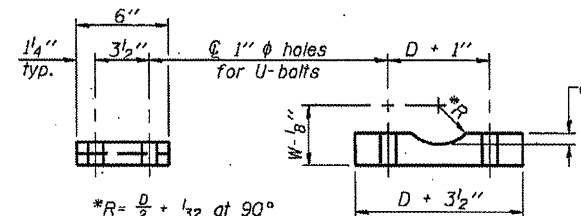


SECTION B-B



SECTION D-D

** Alternate detail if welding col. to base plate first, then snip inside corner of ribs. Terminate weld on rib 1/4" from snip.



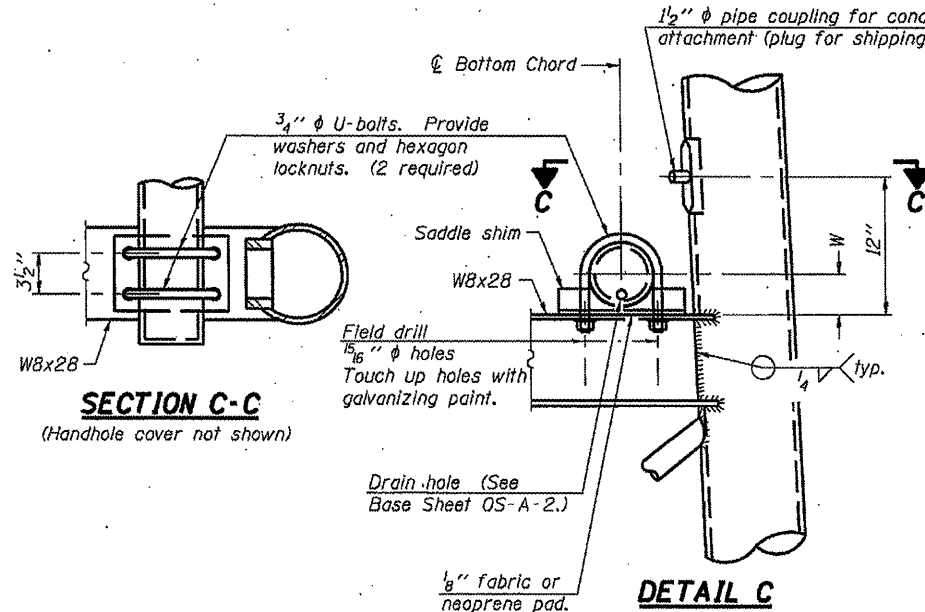
$R = \frac{D}{2} + \frac{1}{32}$ at 90°

D = Outside Diameter of Chord.
For W, see Base Sheet OS-A-6.

SADDLE SHIM DETAIL

ASTM B26 Alloy 356-F
or
ASTM B209 Alloy 6061-T651
(4 required per sign truss)

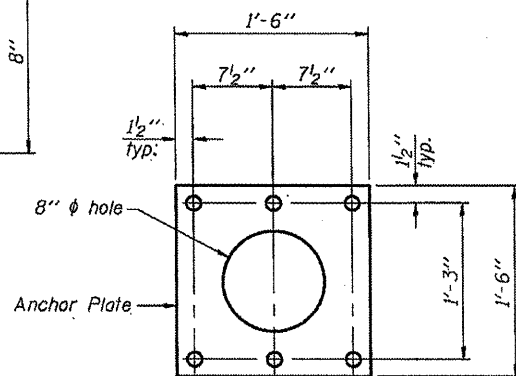
Truss Chord Nominal Dia.	a
5"	3 1/4"
5 1/2"	3 15/16"
6"	7/8"
6 1/2"	1 5/16"
7"	1"



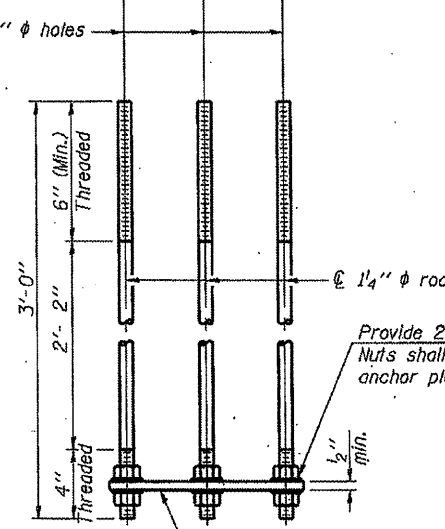
SECTION C-C

(Handhole cover not shown)

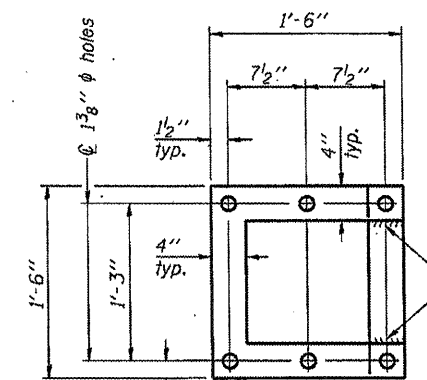
DETAIL C



Anchor Plate



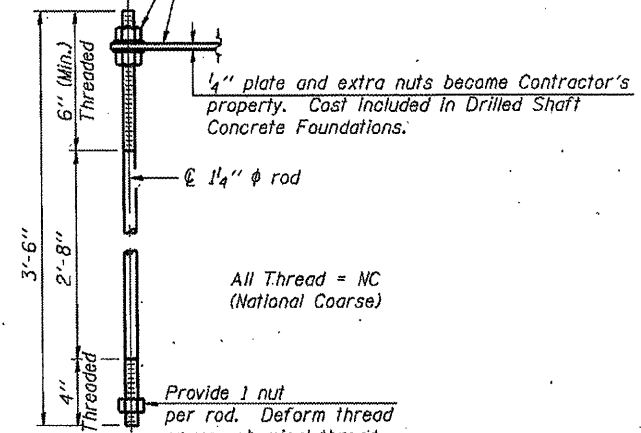
ANCHOR ROD DETAIL
Spread Footing Foundation



POSITIONING PLATE(S)

Optionally may use four (4) separate bars. Weld to maintain perpendicularity.

At each location, provide 1/4" thick positioning plate(s) and six (6) additional nuts to be used with leveling nuts to maintain anchor bolts position during concrete placement.



ANCHOR ROD DETAIL
Drilled Shaft Foundation

Anchor rods shall conform to ASTM F1554 Grade 105. Galvanize upper 12" minimum per AASHTO M232. No welding shall be permitted on rods.

10" PIPE SUPPORT FRAME DETAILS

OS-A-6A

1-20-11

FILE NAME	USER NAME	DESIGNED	REVISIONS
		CHECKED	REVISIONS
		DRAWN	REVISIONS
		CHECKED	REVISIONS

STATE OF ILLINOIS
DEPARTMENT OF TRANSPORTATION

OVERHEAD SIGN STRUCTURES
SUPPORT FRAME DETAILS - ALUMINUM TRUSS

F.A. RTE.	SECTION	COUNTY	TOTAL SHEETS	SHEET NO.
Various	0-9 DVD SIN STR REPL 12-12	Various	17	10
CONTRACT NO. 46185				
ILLINOIS FED. AID PROJECT				