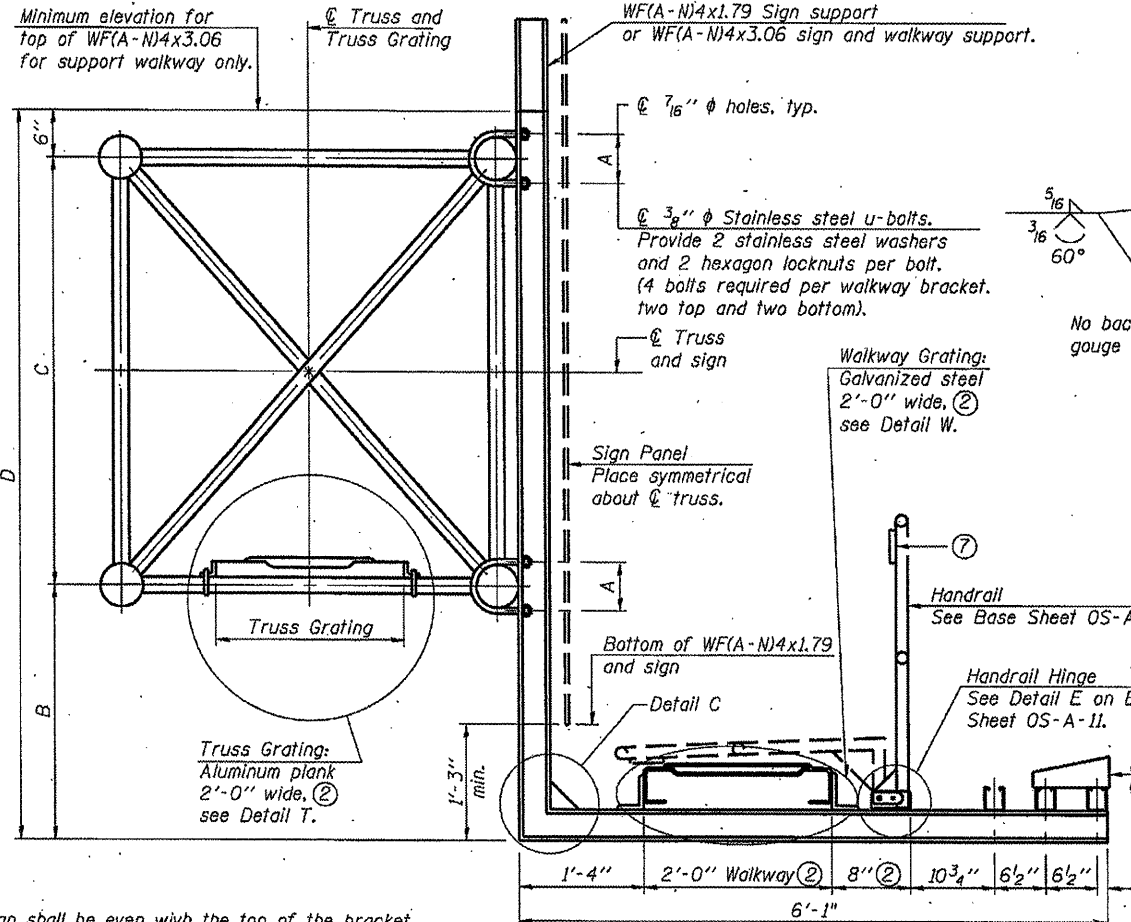
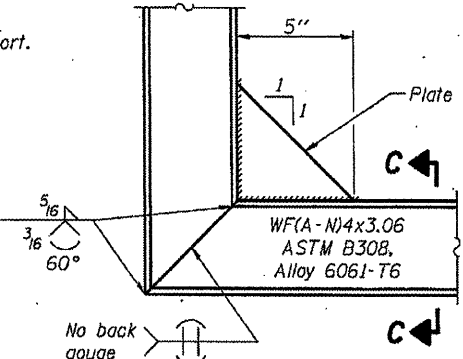


Minimum elevation for top of WF(A-N)4x3.06 for support walkway only.

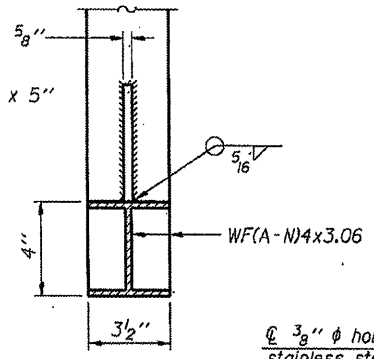


SECTION B-B

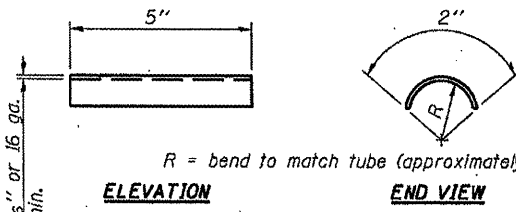
Sign shall be even with the top of the bracket, but it may extend no more than 6" above the top of the bracket for field adjustments.



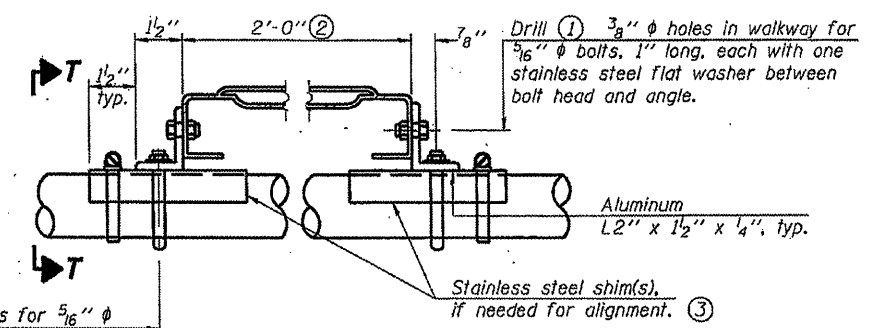
DETAIL C



SECTION C-C



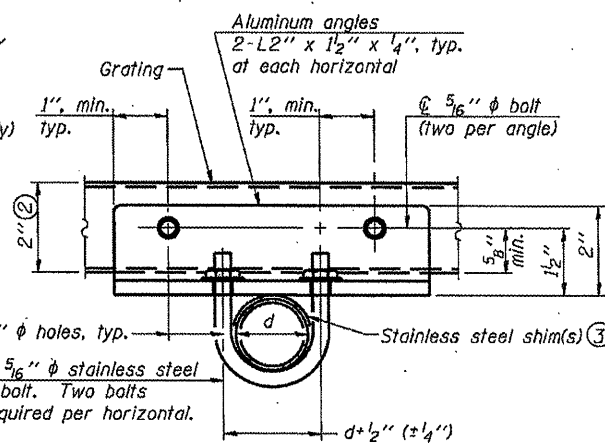
SHIM DETAIL



DETAIL T

(Truss grating at horizontal)

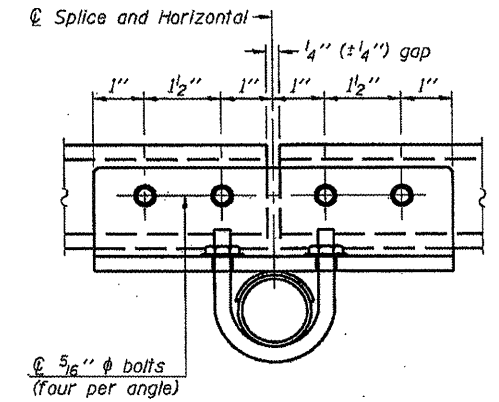
3/8" holes in angles for 5/16" stainless steel u-bolts. Two stainless steel washers and hot dip galvanized steel nuts required per bolt. U-bolt and angle connections required at horizontals only.



SECTION T-T

(Truss Grating Continuous)

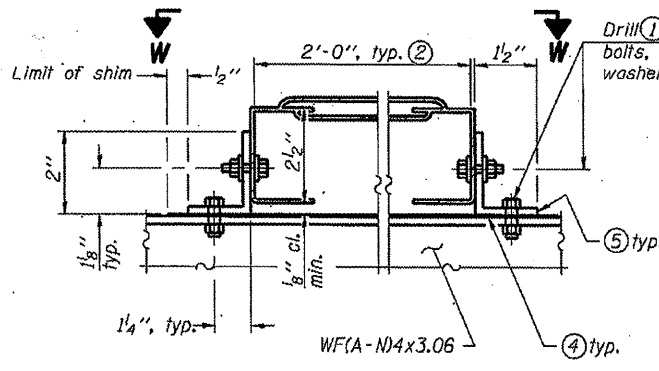
d = outside diameter of horizontal



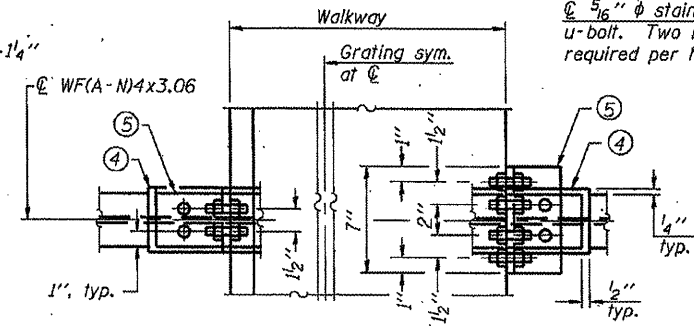
SECTION T-T

(Truss Grating Splice)

Alternate splice details and locations may be used subject to the Engineer's review and approval.



DETAIL W
GALVANIZED STEEL WALKWAY GRATING



SECTION W-W

- ① Drilling holes in grating may be done in shop or field, based on Contractor's preference and subject to accurate alignment.
- ② Perforated or expanded metal grating providing a skid resistant (non-serrated) surface and capable of supporting a 500 pound concentrated load with a 6'-0" clear span. Walkway and truss grating dimensions are nominal and may vary (width ±1/2", depth ±1/2") based on available standard sizes. Cut ends of grating shall be free of burrs or hazardous projections and coated with zinc-rich primer or equivalent.
- ③ Stainless steel shims shall be placed under angles at horizontals and horizontal diagonals if needed to compensate for alignment variations and differences in horizontal diagonal pipe sizes beyond adjustment provided by angles. Secure with one stainless steel clamp per location, see "Shim Detail". Thicker shim plates may be used when needed subject to shims performing properly.
- ④ 1/16" (or 16 ga.) x 2 1/2" x 4" stainless steel shim adhered to top of WF(A-N)4x3.06 beneath each galvanized angle. Adhesives for shims shall be suitable for materials joined and full exposure conditions.
- ⑤ Galvanized steel L2" x 2" x 1/4", 3 1/2" long with continuous grating, 7" long at grating splice.
- ⑥ Details shown are considered equal alternatives to the Aluminum Walkway on Base Sheet OS-A-10 and may be substituted by Contractor at no change in contract cost.
- ⑦ 1/8" x 1/2" x 2" welded to handrail posts to protect locations that contact grating.
- ⑧ Based on actual height of tallest sign given on OS-A-1.

ALUMINUM TRUSS GRATING

Structure Number	Station	A	⑧ B	C	⑧ D
9S1001057L044.9	372+50	6"	4'-7.5"	5'-3"	10'-4.5"
9S1001057L044.6	388+90	7.5"	7'-5.5"	5'-3"	13'-2.5"

OS-A-10S

1-20-11

FILE NAME =	USER NAME =	DESIGNED -	REVISED -
		CHECKED -	REVISED -
PLOT SCALE =		DRAWN -	REVISED -
PLOT DATE =		CHECKED -	REVISED -

STATE OF ILLINOIS
DEPARTMENT OF TRANSPORTATION

OVERHEAD SIGN STRUCTURES
ALTERNATE WALKWAY DETAILS

F.A. RTE-	SECTION	COUNTY	TOTAL SHEETS	SHEET NO.
Various	D-9 DVD SIN STR REPL 12-12	Various	17	12
CONTRACT NO. 46185			ILLINOIS FED. AID PROJECT	