


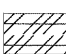

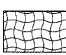
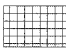




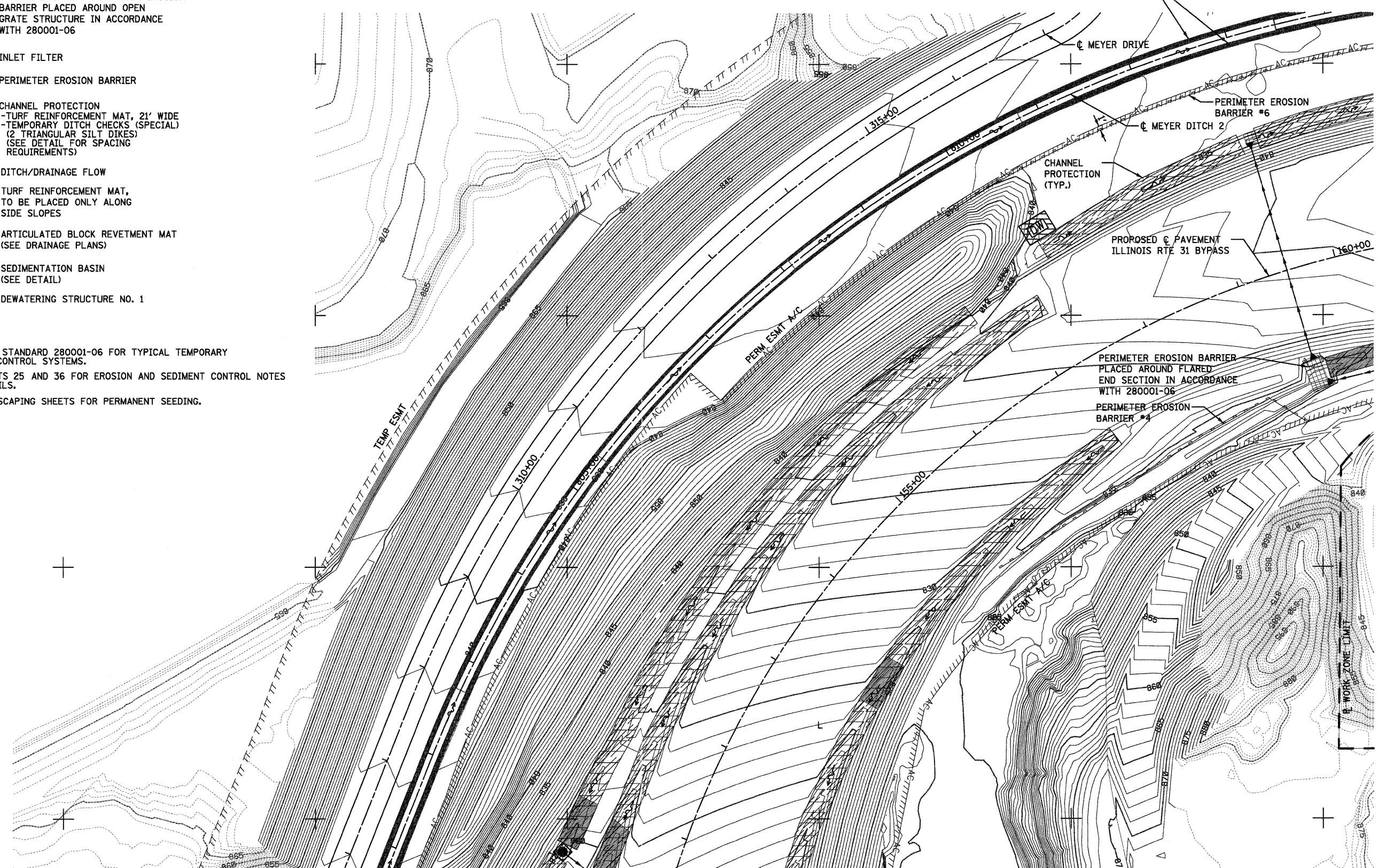
**LEGEND**

-  INLET FILTER AND PERIMETER EROSION BARRIER PLACED AROUND OPEN GRATE STRUCTURE IN ACCORDANCE WITH 280001-06
-  INLET FILTER
-  PERIMETER EROSION BARRIER
-  CHANNEL PROTECTION  
-TURF REINFORCEMENT MAT, 21' WIDE  
-TEMPORARY DITCH CHECKS (SPECIAL)  
(2 TRIANGULAR SILT DIKES)  
(SEE DETAIL FOR SPACING REQUIREMENTS)
-  DITCH/DRAINAGE FLOW
-  TURF REINFORCEMENT MAT, TO BE PLACED ONLY ALONG SIDE SLOPES
-  ARTICULATED BLOCK REVETMENT MAT (SEE DRAINAGE PLANS)
-  SEDIMENTATION BASIN (SEE DETAIL)
-  DEWATERING STRUCTURE NO. 1

**NOTES**

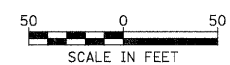
1. USE IDOT STANDARD 280001-06 FOR TYPICAL TEMPORARY EROSION CONTROL SYSTEMS.
2. SEE SHEETS 25 AND 36 FOR EROSION AND SEDIMENT CONTROL NOTES AND DETAILS.
3. SEE LANDSCAPING SHEETS FOR PERMANENT SEEDING.

SEE SHEET NO. 34



SEE SHEET NO. 30

N2007000  
N  
N2006750  
SEE SHEET NO. 33  
N2006500  
N2006250



FILE NAME = ...N162F78-shr-eros-07.dgn	USER NAME = ctb	DESIGNED - DTE	REVISED -	<b>STATE OF ILLINOIS DEPARTMENT OF TRANSPORTATION</b>	<b>EROSION AND SEDIMENT CONTROL PLANS</b>		F.A. RTE.	SECTION	COUNTY	TOTAL SHEETS	SHEET NO.
	PLOT SCALE = 600.0000' / Ft.	DRAWN - DTE	REVISED -		SCALE: 1" = 50'	SHEET NO. 8 OF 12 SHEETS	STA.	18A-1	McHENRY	115	32
	PLOT DATE = 1/18/2012	CHECKED - GAB	REVISED -		TO STA.				CONTRACT NO. 60F78		
		DATE - 1/20/2012	REVISED -						ILLINOIS FED. AID PROJECT		