

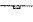
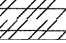

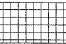

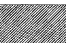
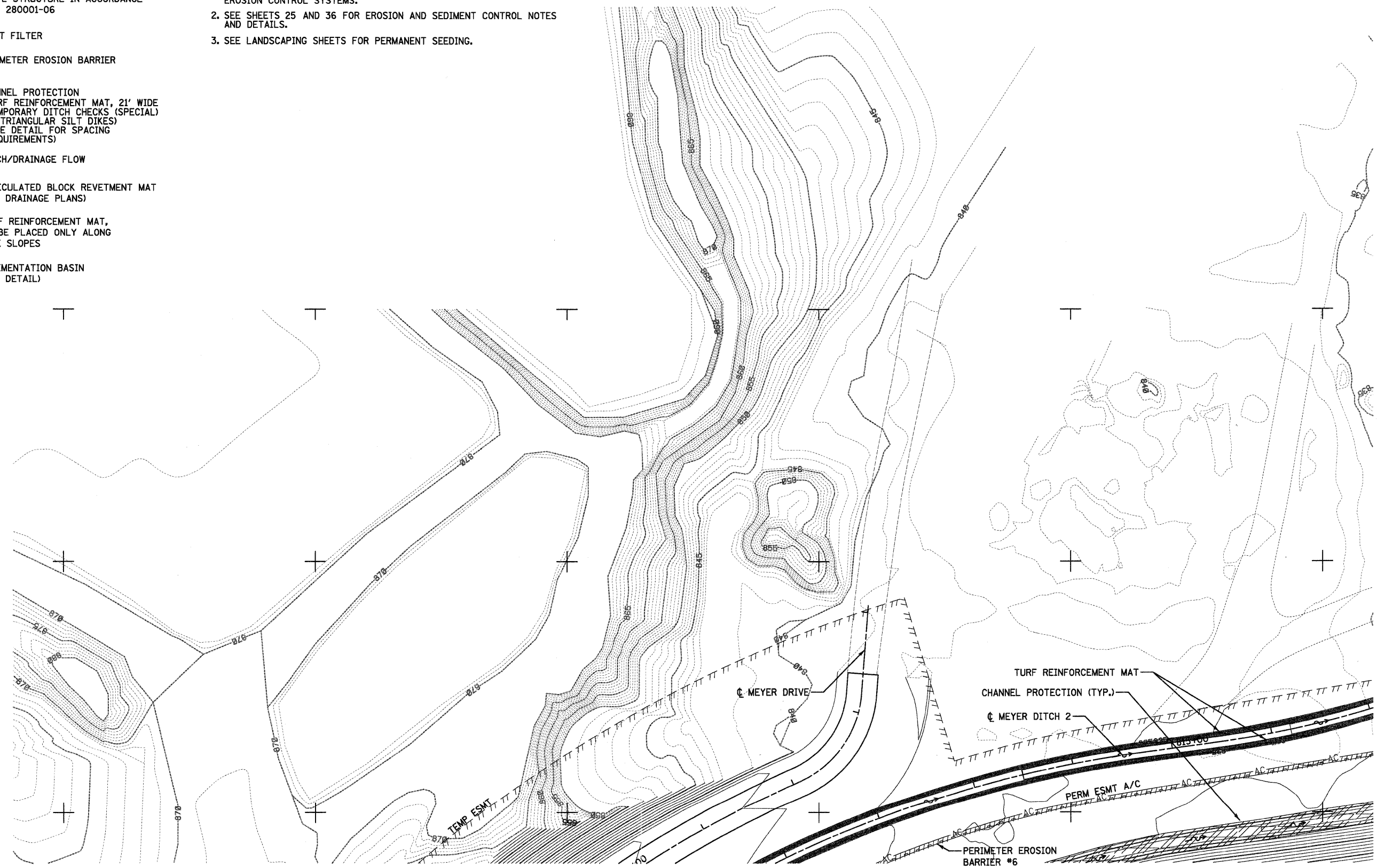


**LEGEND**

-  INLET FILTER AND PERIMETER EROSION BARRIER PLACED AROUND OPEN GRATE STRUCTURE IN ACCORDANCE WITH 280001-06
-  INLET FILTER
-  PERIMETER EROSION BARRIER
-  CHANNEL PROTECTION  
-TURF REINFORCEMENT MAT, 21' WIDE  
-TEMPORARY DITCH CHECKS (SPECIAL) (2 TRIANGULAR SILT DIKES) (SEE DETAIL FOR SPACING REQUIREMENTS)
-  DITCH/DRAINAGE FLOW
-  ARTICULATED BLOCK REVETMENT MAT (SEE DRAINAGE PLANS)
-  TURF REINFORCEMENT MAT, TO BE PLACED ONLY ALONG SIDE SLOPES
-  SEDIMENTATION BASIN (SEE DETAIL)

**NOTES**

1. USE IDOT STANDARD 280001-06 FOR TYPICAL TEMPORARY EROSION CONTROL SYSTEMS.
2. SEE SHEETS 25 AND 36 FOR EROSION AND SEDIMENT CONTROL NOTES AND DETAILS.
3. SEE LANDSCAPING SHEETS FOR PERMANENT SEEDING.



SEE SHEET NO. 35

SEE SHEET NO. 32

FILE NAME = ...D160F78-sht-eros-29.dgn	USER NAME = ctb	DESIGNED - DTE	REVISED -	<b>STATE OF ILLINOIS DEPARTMENT OF TRANSPORTATION</b>	<b>EROSION AND SEDIMENT CONTROL PLANS</b>	F.A. RTE.	SECTION	COUNTY	TOTAL SHEETS	SHEET NO.
PLOT SCALE = 600.0000' / Ft.	CHECKED - GAB	REVISIED -	REVISIED -			18A-1	McHENRY	115	34	
PLOT DATE = 1/18/2012	DATE - 1/20/2012	REVISIED -	REVISIED -			CONTRACT NO. 60F78		ILLINOIS FED. AID PROJECT		
						SCALE: 1" = 50'		SHEET NO. 10 OF 12 SHEETS		STA. TO STA.