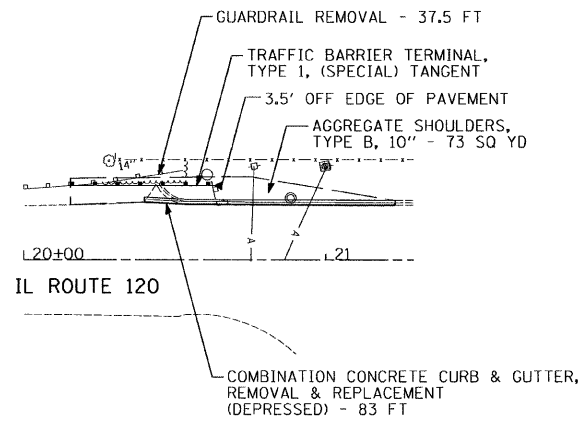
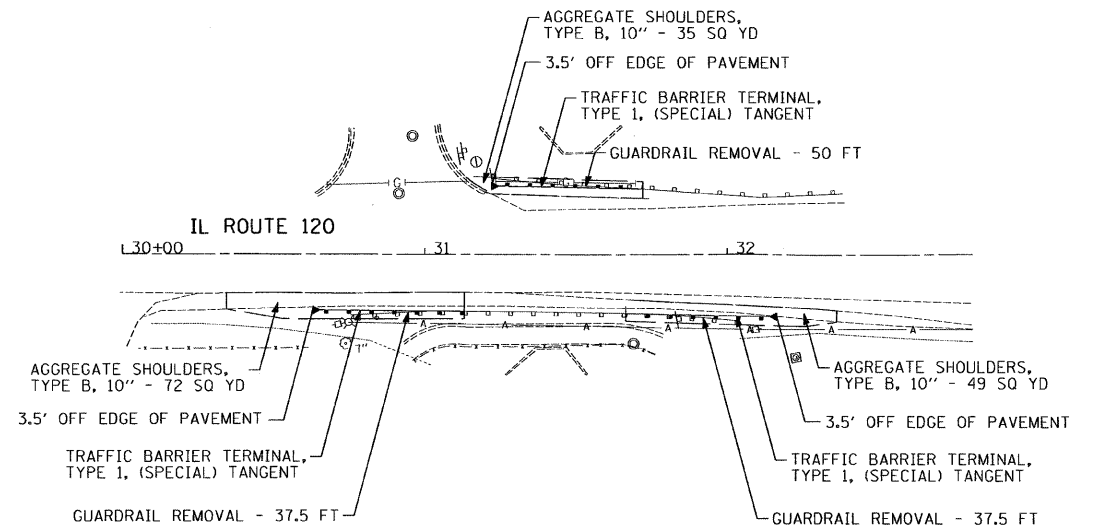


NOTE:
LOCATION 1 WORK HAS BEEN
COMPLETED BY OTHERS



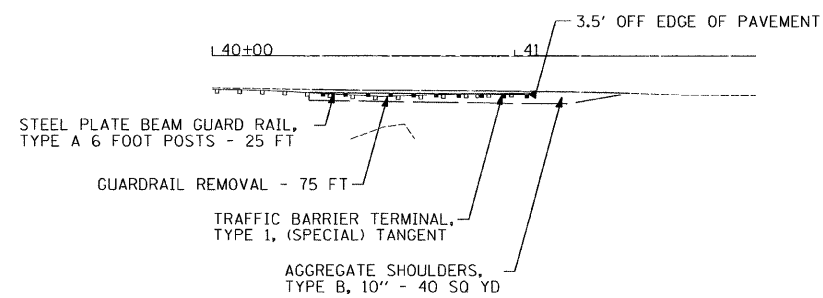
LOCATION 2



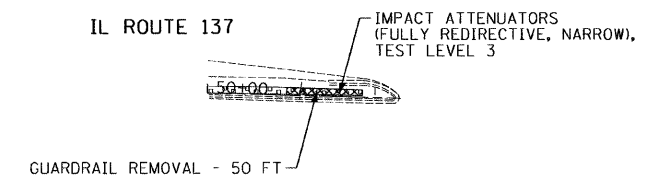
LOCATION 3



IL ROUTE 137



LOCATION 4



LOCATION 5



I:\bbs\2011\201113012-01\cod\site\ogd\00\0160M51-shl-plan01.dgn
 12/27/2011 2:02:53 PM

FILE NAME =	USER NAME = .USER.	DESIGNED - EAF	REVISED -
#FILE#		DRAWN - EAF	REVISED -
	PLOT SCALE = 30.0000 ' / IN.	CHECKED - RS	REVISED -
	PLOT DATE = 12/27/2011	DATE - 12/28/2011	REVISED -

STATE OF ILLINOIS
DEPARTMENT OF TRANSPORTATION

GUARDRAIL IMPROVEMENTS - LAKE COUNTY
ROADWAY PLANS

SCALE: 30 SHEET NO. 1 OF 12 SHEETS STA. TO STA.

F.A. RTE.	SECTION	COUNTY	TOTAL SHEETS	SHEET NO.
	2010-117-GRR	LAKE	19	5
VARIOUS ROUTES		CONTRACT NO. 60MS1		
ILLINOIS FED. AID PROJECT				