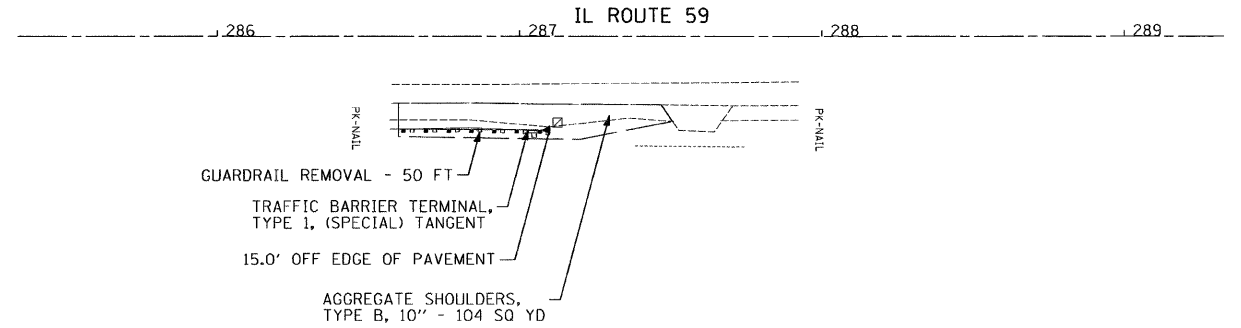
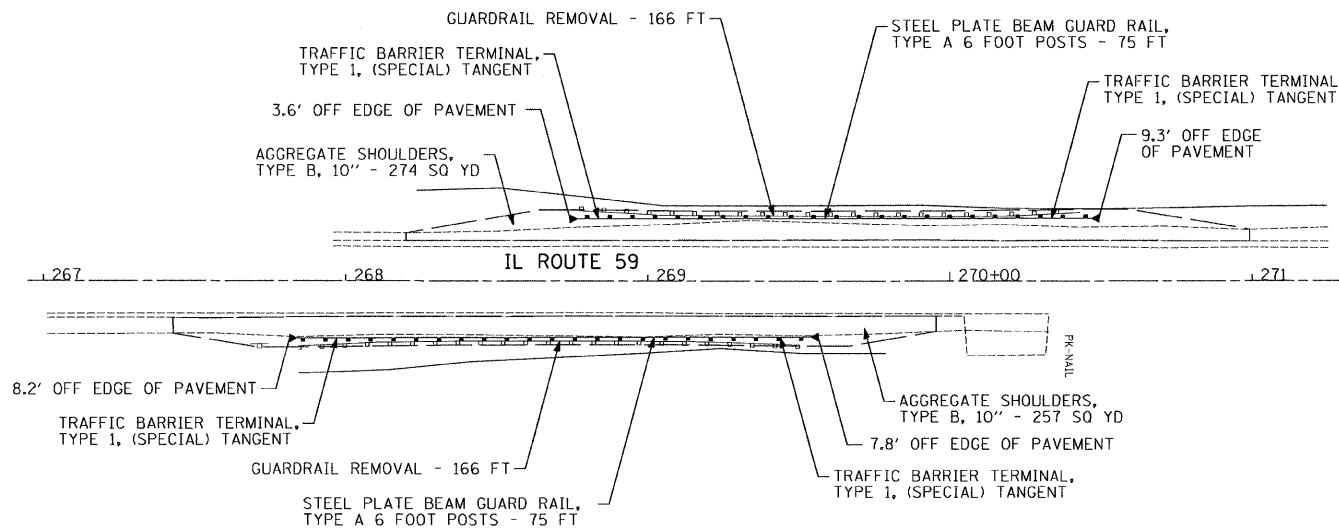


LOCATION 15

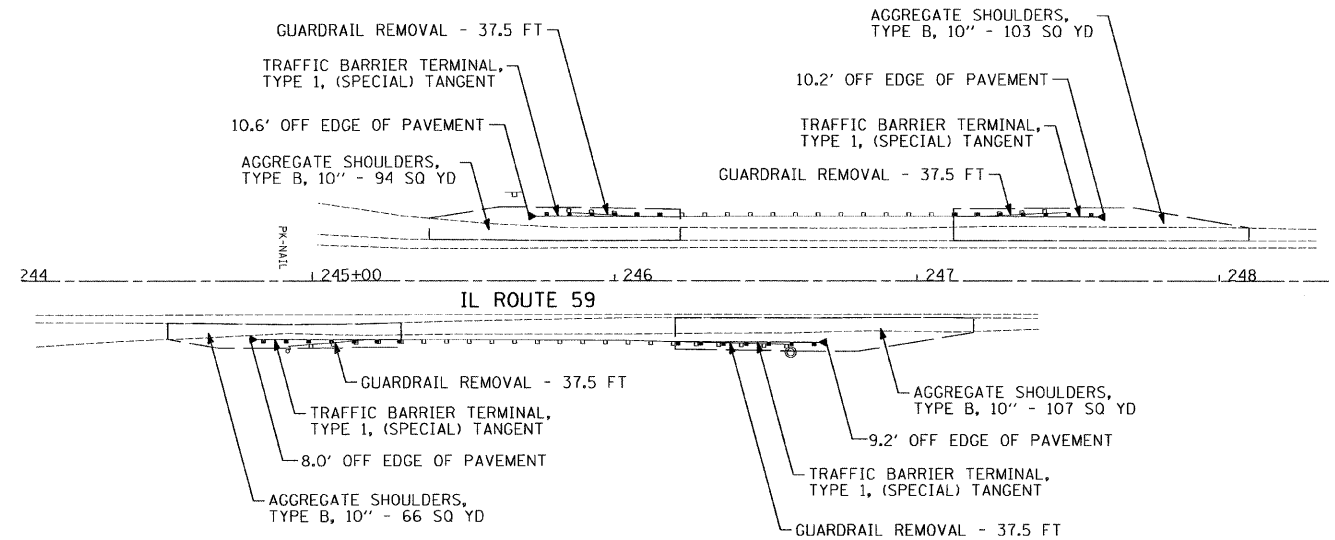
NOTE:
 LOCATIONS 16-20 WORK HAVE BEEN COMPLETED BY OTHERS



LOCATION 21



LOCATION 22



LOCATION 23

I:\2011\12\27\2011\13012_00\cod\site\egp\00\160M51-sht-plan06.dgn
 12/27/2011 2:35:44 PM

FILE NAME =	USER NAME = .USER.	DESIGNED - EAF	REVISED -
#FILE#		DRAWN - EAF	REVISED -
	PLOT SCALE = 30.0000' / IN.	CHECKED - RS	REVISED -
	PLOT DATE = 12/27/2011	DATE - 12/28/2011	REVISED -

STATE OF ILLINOIS
 DEPARTMENT OF TRANSPORTATION

GUARDRAIL IMPROVEMENTS - LAKE COUNTY
 ROADWAY PLANS

SCALE: 30 SHEET NO. 6 OF 12 SHEETS STA. TO STA.

F.A. RTE.	SECTION	COUNTY	TOTAL SHEETS	SHEET NO.
	2010-117-GRR	LAKE	19	10
	VARIOUS ROUTES			CONTRACT NO. 60M51
ILLINOIS FED. AID PROJECT				