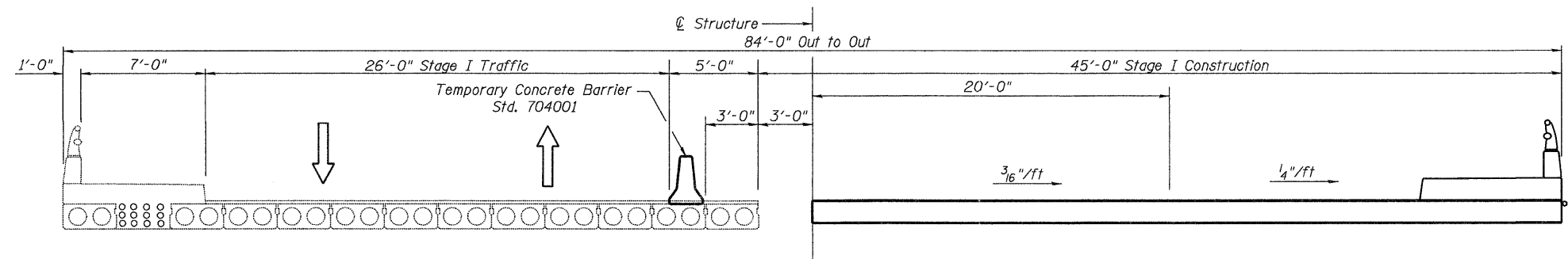


**STAGE I SUPERSTRUCTURE REMOVAL**  
(Looking North)

EXISTING TRAFFIC CONDUIT TO BE MAINTAINED AND REATTACHED TO NEW STRUCTURE. COST INCLUDED WITH "REMOVAL OF EXISTING SUPERSTRUCTURE."

EXISTING DUCT ASSEMBLY TO BE RELOCATED BY OTHERS. COST INCLUDED WITH "REMOVAL OF EXISTING SUPERSTRUCTURE."

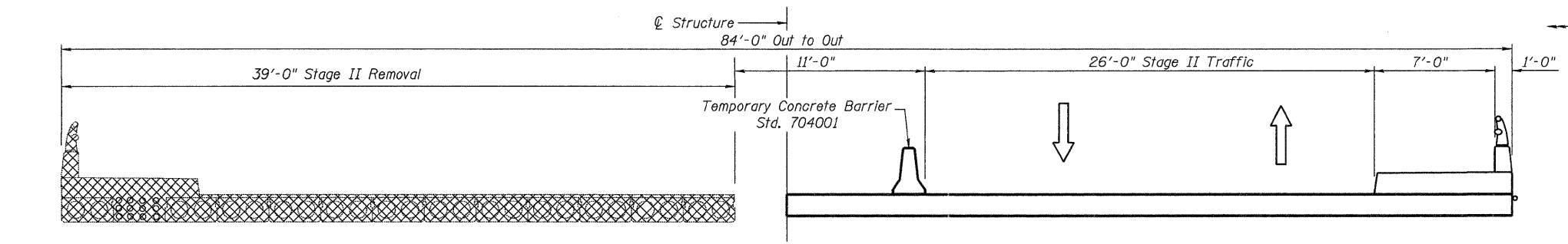


**STAGE I CONSTRUCTION**  
(Looking North)

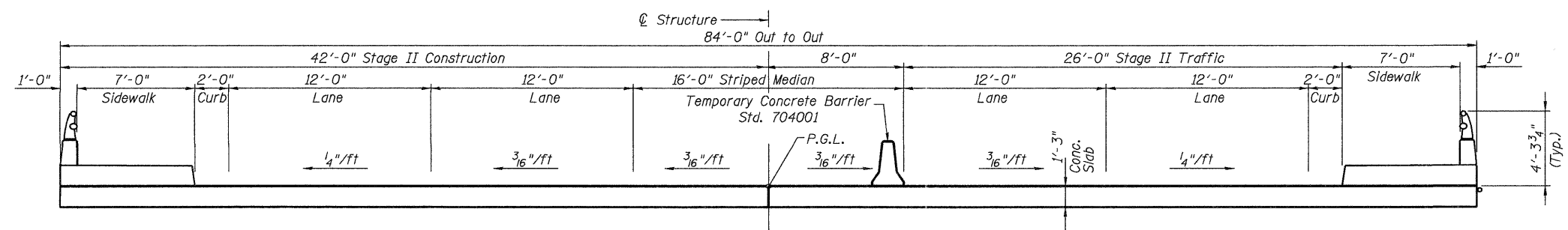
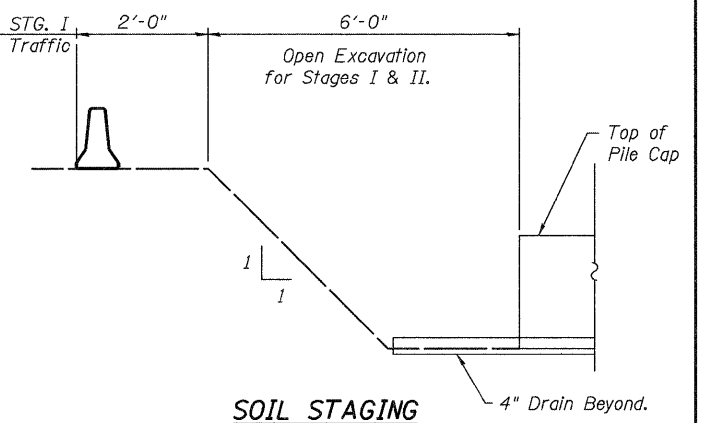
Notes:  
Existing Duct Assembly contains (3) 16WF40 steel beams and (18) 4 1/2" Plastic Conduit.

Installation of new abutment and drainage appears feasible with open trench cuts and grading. Soil Retention is not anticipated.

- Sequence of Construction:
1. Repair Existing Abutment Walls per sheet 5 of 21.
  2. Install Struts per sheet 6 of 21.
  3. Remove Existing PPC Deck Beams and Approaches.
  4. Trench Excavate and Drive Piles for Pile Caps.
  5. Pour Pile Caps. (Note: Closure Wall Footing)
  6. Grade for Slope wall and Cut Existing Abutment wall.
  7. Pour Slope wall. Construct Closure Wall.
  8. Construct Slab Bridge and Approaches. DO NOT SUPPORT FALSEWORK WITH STRUTS.
  9. Shift Traffic and Repeat sequence 3 through 8 for stage II.



**STAGE II SUPERSTRUCTURE REMOVAL**  
(Looking North)



**STAGE II CONSTRUCTION**  
(Looking North)

FILE NAME: 0160664-60P38-03.STGDET  
**rjngroup**  
Exchange Through Ownership  
200 West Front Street  
Wharton, IL 60187  
PH: 815.462.0000

USER NAME =	DESIGNED PRD	REVISIONS
PLOT SCALE =	CHECKED AWW	REVISED
PLOT DATE =	DRAWN PRD	REVISED
	CHECKED AWW	REVISED

STATE OF ILLINOIS  
DEPARTMENT OF TRANSPORTATION

STAGE CONSTRUCTION DETAILS  
STRUCTURE NO. 016-0664

SHEET NO. 3 OF 21 SHEETS

F.A.P. RTE. 876	SECTION 2011-032-BR	COUNTY COOK	TOTAL SHEETS 41	SHEET NO. 14
CONTRACT 60P38				
ILLINOIS FED. AID PROJECT				