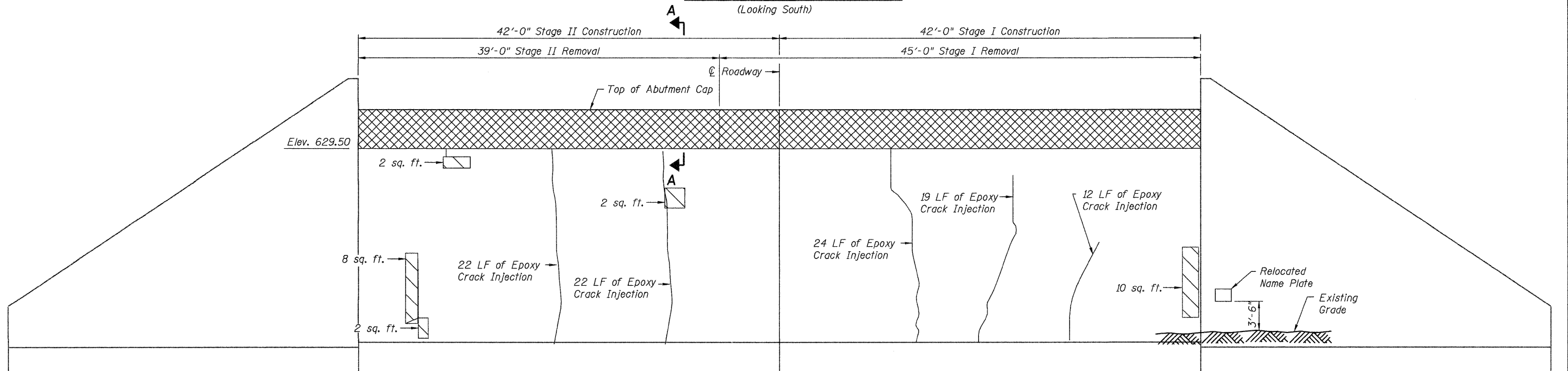
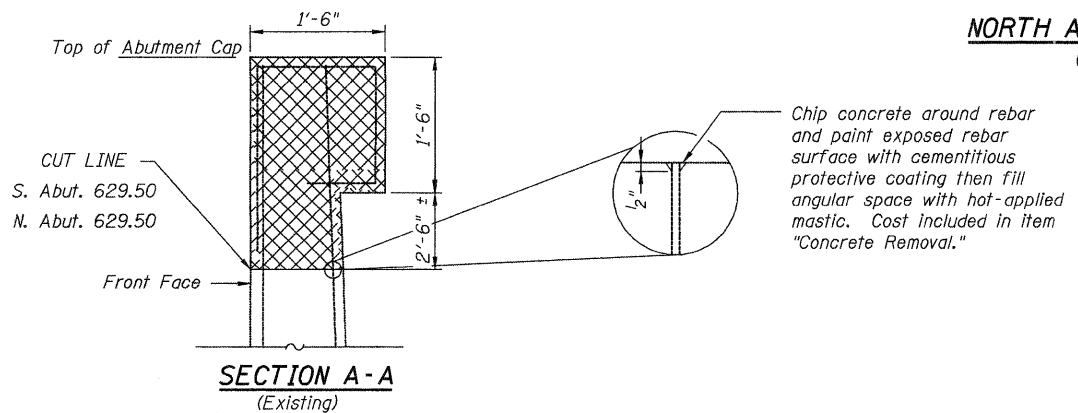


SOUTH ABUTMENT ELEVATION
(Looking South)



NORTH ABUTMENT ELEVATION
(Looking North)



BILL OF MATERIAL

Item	Unit	Quantity
Concrete Removal	Cu. Yd.	39.8
Epoxy Crack Injection	Foot	198
Structural Repair of Concrete (Depth Equal to or less than 5 In.)	Sq. Ft.	38

- Removal of Existing Abutment
- Structural Repair of Concrete