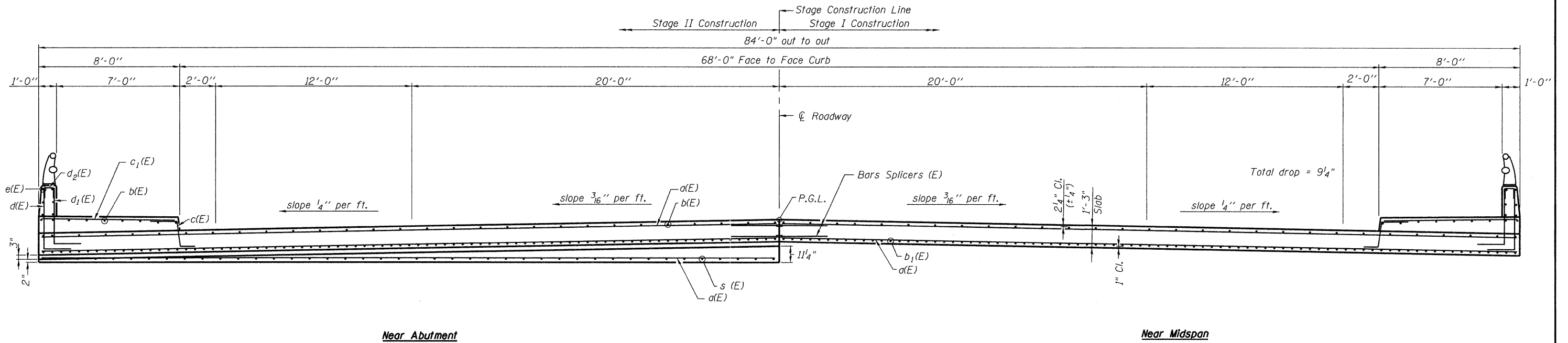


PLAN



CROSS SECTION
(Looking North)

Notes:
See Sheet 10 of 21 for superstructure details and Bill of Material.
See Sheet 10 of 21 for parapet reinforcement.
See Sheet 10 of 21 for Section A-A.