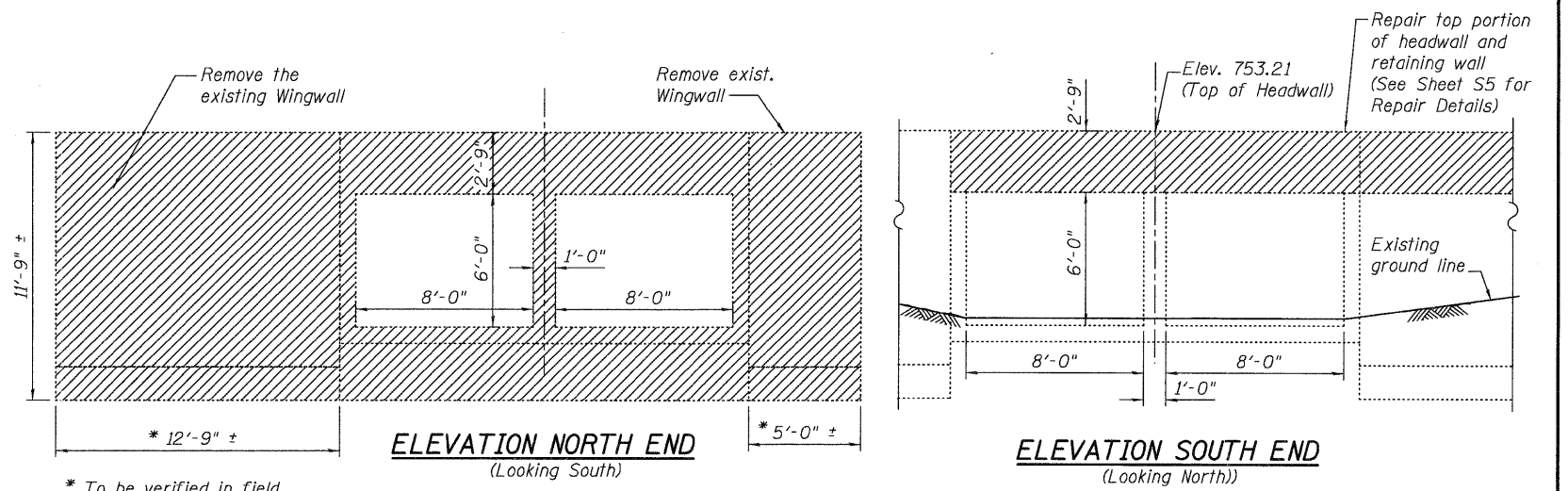
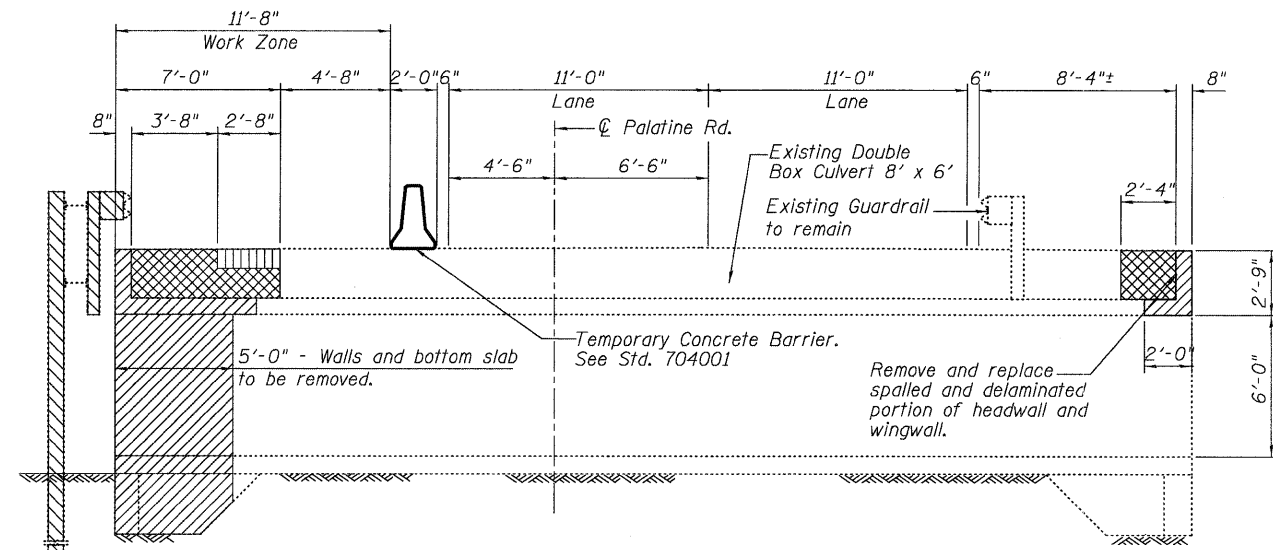


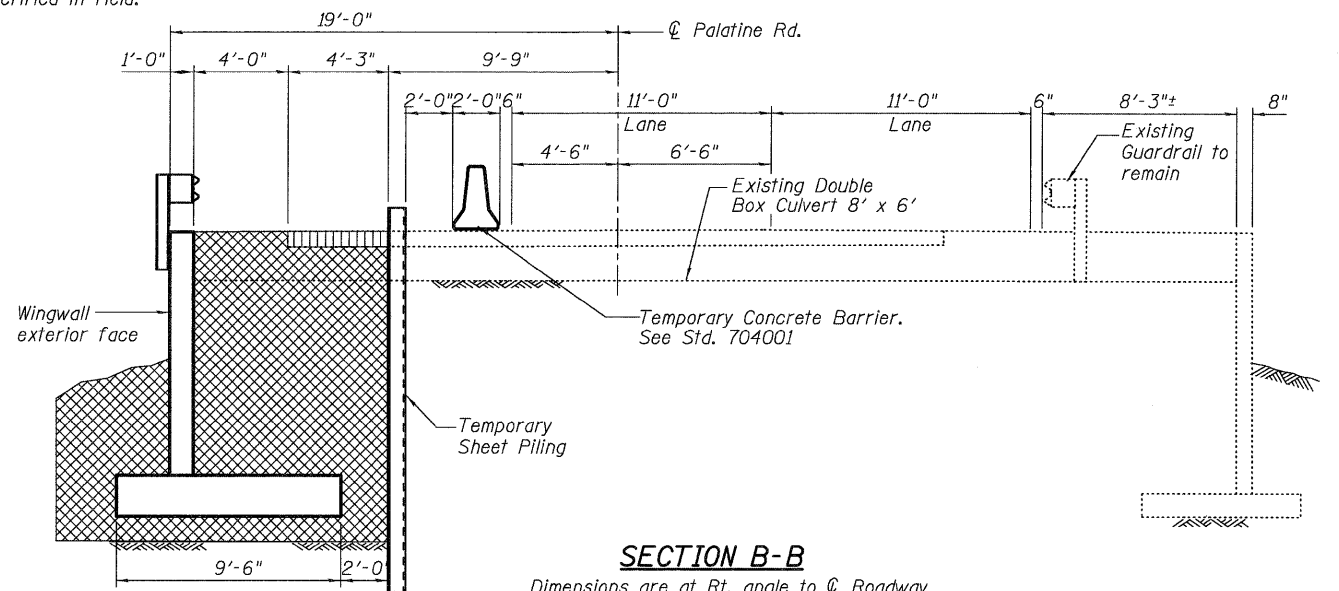
SECTION A-A
EXISTING CONDITION
Dimensions are at Rt. angle to C Roadway



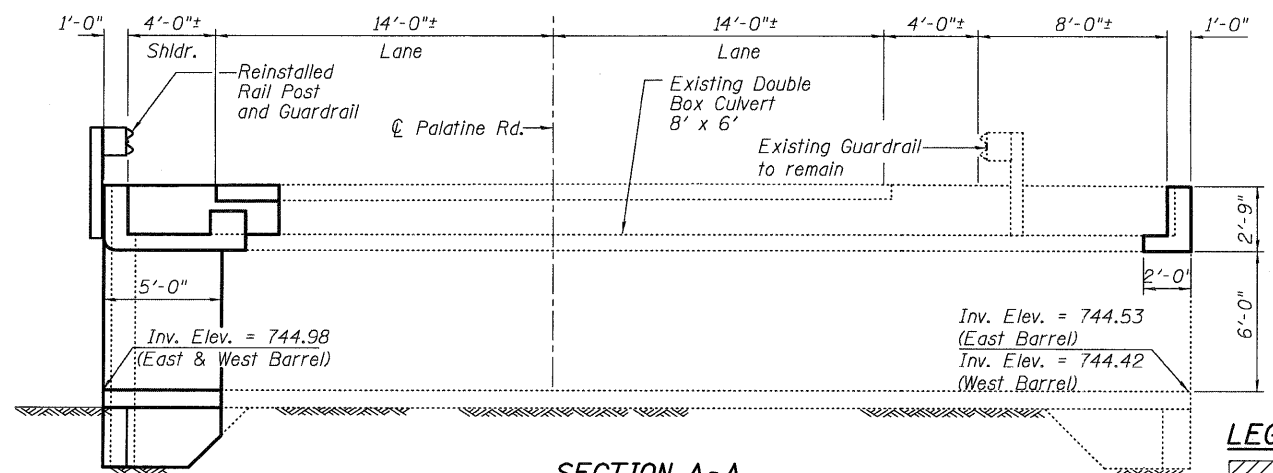
* To be verified in field.



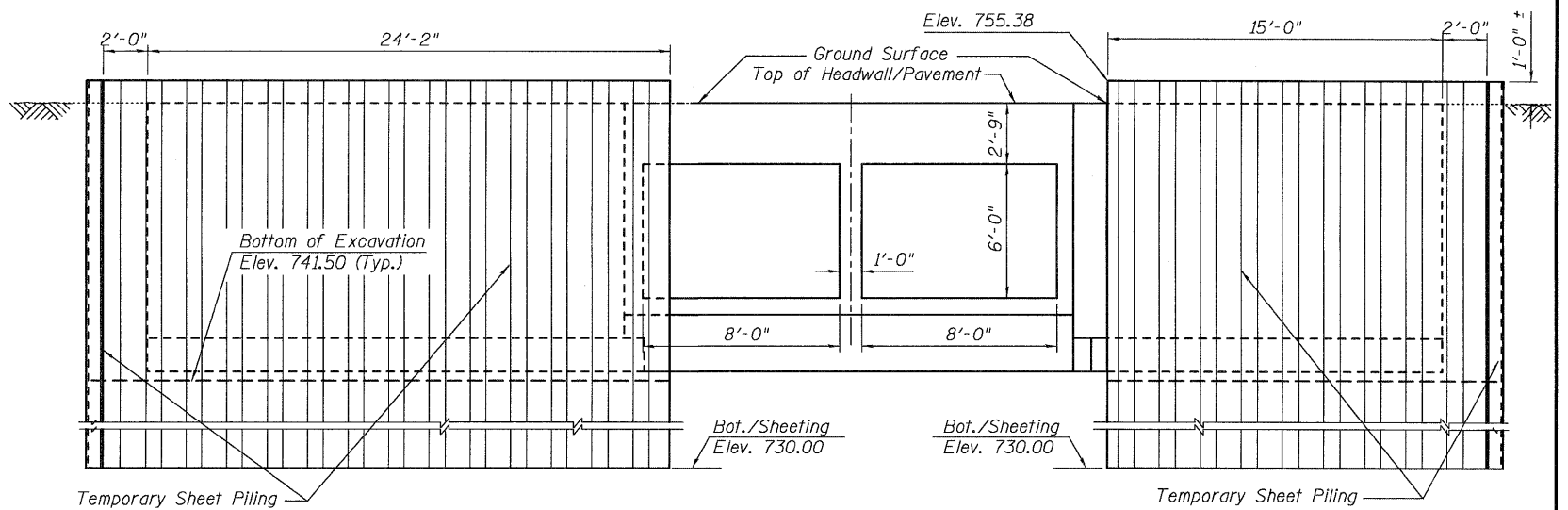
SECTION A-A
REMOVAL & CONSTRUCTION
Dimensions are at Rt. angle to C Roadway



SECTION B-B
Dimensions are at Rt. angle to C Roadway



SECTION A-A
FINAL CONDITION
Dimensions are at Rt. angle to C Roadway



WEST END

EAST END

TEMPORARY SHEET PILING
Minimum Section Modulus = 11.20 in³/ft.

- LEGEND:**
- Concrete Removal
 - Structure Excavation
 - Structural Steel Removal
 - Pavement Removal



USER NAME =	DESIGNED - JPM	REVISED -
PLOT SCALE =	CHECKED - JXH	REVISED -
PLOT DATE =	DRAWN - MPS	REVISED -
	CHECKED - JXH/TPG	REVISED -

STATE OF ILLINOIS
DEPARTMENT OF TRANSPORTATION

STAGE REMOVAL AND CONSTRUCTION DETAILS
STRUCTURE NO. 016-2860 STA. 70 + 04.00

SHEET NO. S2 OF S6 SHEETS

F.A.U. RTE. 1285	SECTION 2011-033-T	COUNTY COOK	TOTAL SHEETS 18	SHEET NO. 10
DATE: OCTOBER 6-2011 [ILLINOIS] FED. AID PROJECT			CONTRACT NO. 60P39	