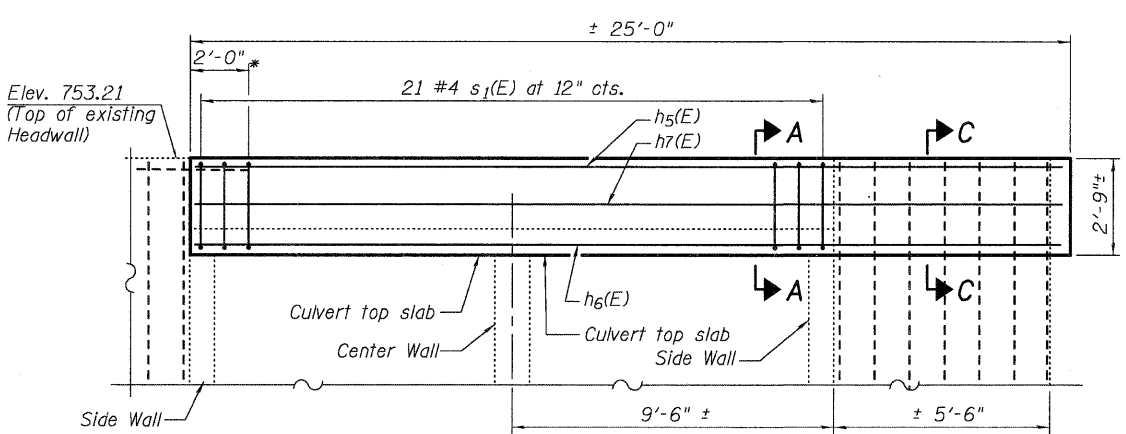


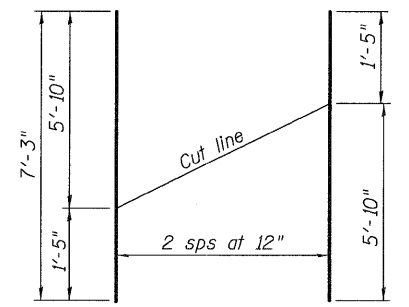
DETAIL 1

Notes:
 ** Order t₁(E) bars in full length. Cut bars in field and use the remainder in the bottom.
 *** Cut w(E) and w₁(E) bars in field to fit. Cost is included with "Reinforcement Bars, Epoxy Coated".

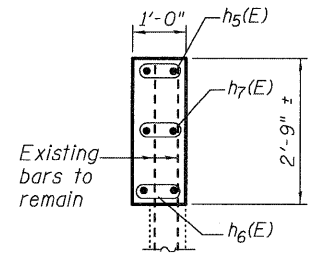


CULVERT/WINGWALL SOUTH END ELEVATION

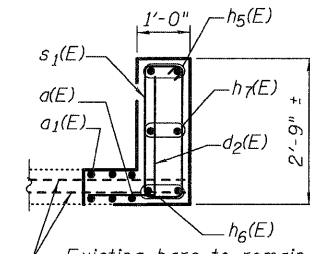
* Length of existing bars to remain.
 Note:
 Existing bars to remain shall be cleaned, straightened and incorporated into new concrete.



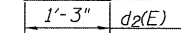
BAR t₁(E)
FIELD CUTTING DIAGRAM



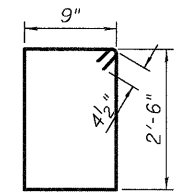
SECTION C-C



SECTION A-A



BAR d₂(E)



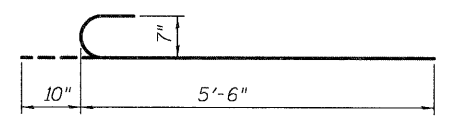
BAR s₁(E)

**BILL OF MATERIAL
 NW & NE WINGWALLS**

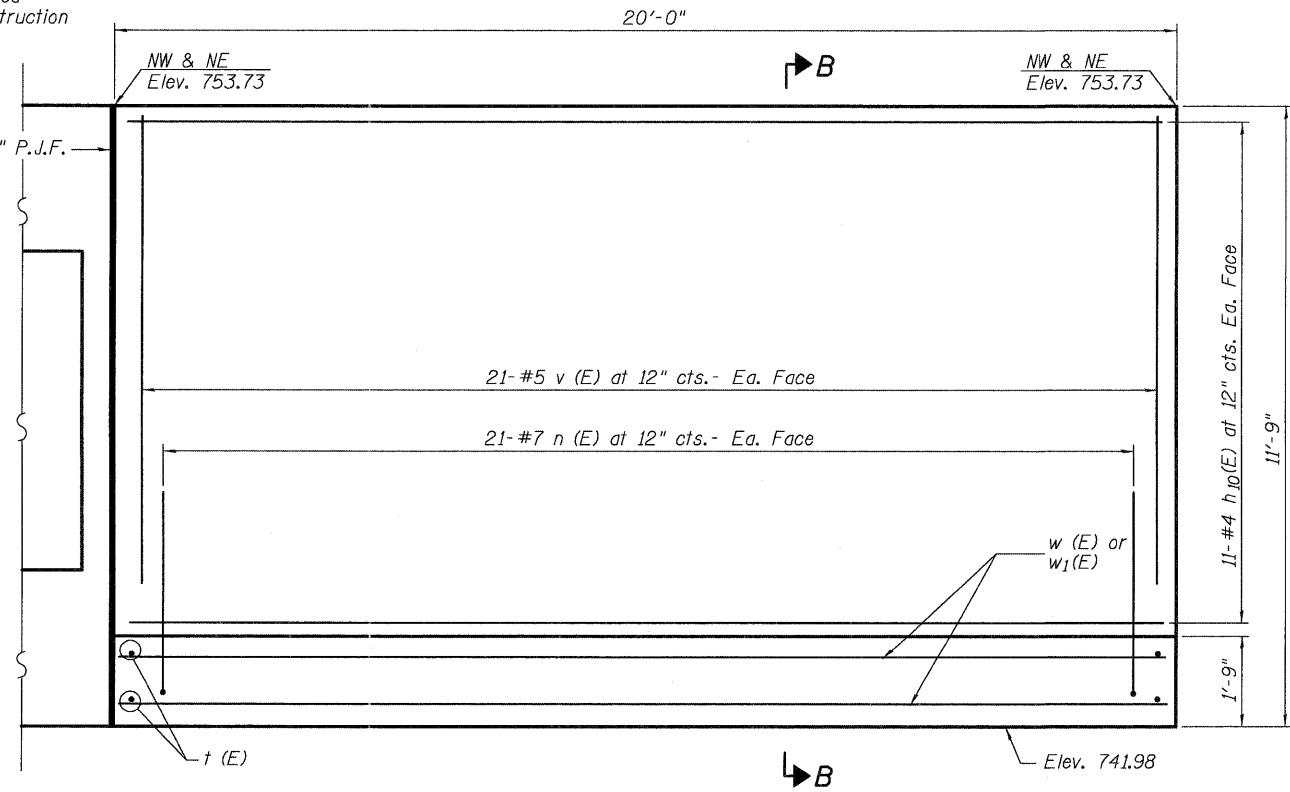
Bar	No.	Size	Length	Shape	
h ₁₀ (E)	44	#4	19'-8"		
n(E)	84	#7	6'-4"	C	
t(E)	86	#6	9'-2"		
t ₁ (E)	3	#6	7'-3"		
v(E)	84	#5	8'-0"		
w(E)	20	#5	19'-8"		
w ₁ (E)	20	#5	22'-11"		
Concrete Structures				Cu. Yd.	40.0
Reinforcement Bars, Epoxy Coated				Pound	4,480

MIN. BAR LAP

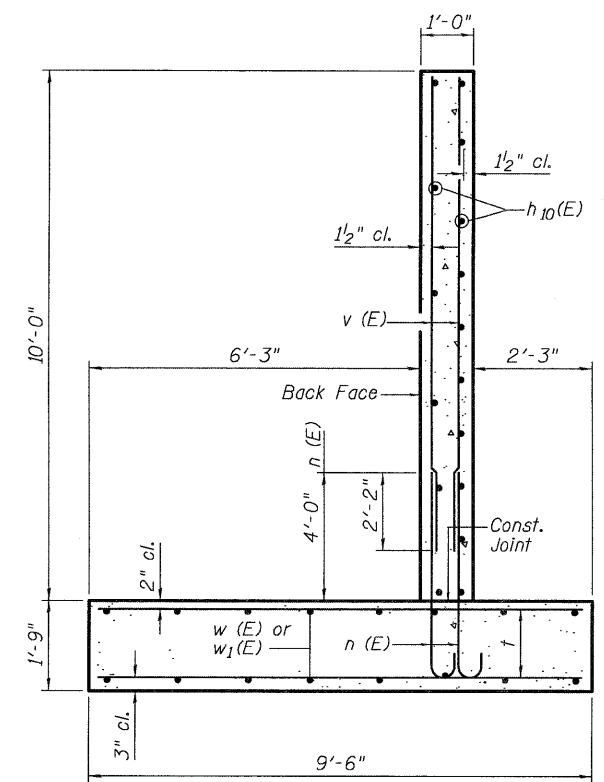
Bar	Barrel	Wingwall
#4	1'-4"	1'-8"
#5	1'-8"	2'-2"
#6	2'-0"	2'-7"
#7	2'-9"	3'-5"



BAR n(E)



NW WINGWALL ELEVATION - (SHOWN)
NE WINGWALL ELEVATION - OPPOSITE HAND



SECTION B-B